



**HIGH-EFFICIENCY
CAST IRON BOILER**

WTGO

Provides space and domestic hot water heating.

APPLICATIONS INCLUDE:

- Residential
- Light Commercial
- Multiple Boilers
- Indirect-fired Water Heating
- Radiant Heating

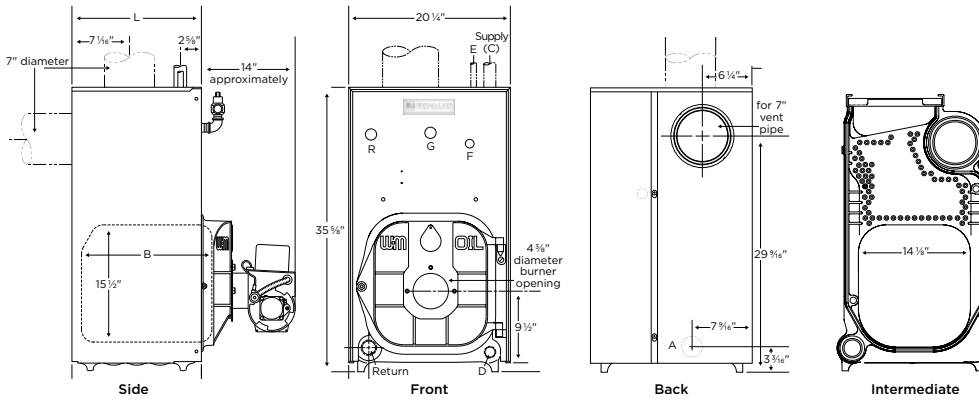


*Model Dependent

*ENERGY STAR[®] requires a minimum of 87% AFUE, which is only achieved by reducing the burner rate and installing the specified optional vent damper kit. See Ratings chart on next page.



DIMENSIONS



Tapping Location	Size (in.)	Control Tappings
A	1 1/2	Alternative return — semi-packaged & knocked-down units only
G	1/4	Pressure/temperature gauge
D	3/4	Drain valve
F	3/4	High limit/circulator control
E	1/2	Piping to expansion tank or automatic air vent
R	3/4	Relief valve

Boiler Size	Supply C (in.)		Return (in.)	Dimension (in.)		Tankless Heater		
	Packaged with Circulator (circulator flange)	Semi-Packaged & Knocked-Down		B	L	Number	Inlet & Outlet (NPT) (in.)	Temp Control (NPT) (in.)
WTGO-3	1 1/4	1 1/2	1 1/2	13 1/2	16 7/8	WT-14	1/2	3/4
WTGO-3L	1 1/4	1 1/2	1 1/2	10 1/2	13 3/4	WT-14	1/2	3/4
WTGO-4	1 1/4	1 1/2	1 1/2	13 5/8	16 7/8	WT-14	1/2	3/4
WTGO-5	1 1/4	1 1/2	1 1/2	16 7/8	20	WT-14	1/2	3/4
WTGO-6	1 1/4	1 1/2	1 1/2	20	22 1/8	WT-14	1/2	3/4
WTGO-7	not applicable	1 1/2	1 1/2	23 1/8	26 1/4	WT-20	1/2	3/4
WTGO-8	not applicable	1 1/2	1 1/2	26 1/4	29 3/8	WT-20	1/2	3/4
WTGO-9	not applicable	1 1/2	1 1/2	29 3/8	32 1/2	WT-20	1/2	3/4

RATINGS

ENERGY STAR ⁴	Model ⁴	Burner Input Rating		AHRI Certified Ratings			Tankless Heater Intermittent Draw Rating ¹⁰	Draft Loss Through Boiler (in. w/c)	Minimum Chimney Size			Approx. Shipping Weight (Lbs.)
		GPH ⁵	MBH ⁵	Heating Capacity (MBH) ^{6,7}	Net Ratings (MBH) ^{7,9}	AFUE			Rectangular (in.)	Round (in.)	Height (Ft.)	
	WTGO-3LR	0.70	98	86	75	86.4	3.25	.010	8 x 8	6	15	560
	WTGO-3LD	0.95	133	115	100	86.0	3.25	.010				560
	WTGO-3R	0.80	112	98	85	86.2	3.25	.020				610
*	WTGO-3RD	0.80	112	98	85	87.0	3.25	.010				610
	WTGO-3D	0.95	133	115	100	86.0	3.25	.020				610
	WTGO-4R	1.00	140	122	106	86.2	3.75	.010				660
*	WTGO-4RD	1.00	140	123	107	87.0	3.75	.010	660			
	WTGO-4D	1.20	168	146	127	86.0	3.75	.010	660			
	WTGO-5R	1.20	168	147	128	86.1	4.00	.015	775			
*	WTGO-5RD	1.20	168	148	129	87.0	4.00	.015	775			
	WTGO-5D	1.45	203	176	153	86.0	4.00	.015	775			
	WTGO-6R	1.40	196	171	149	86.1	4.25	.015	875			
*	WTGO-6RD	1.40	196	173	150	87.0	4.25	.015	875			
	WTGO-6D	1.75	245	213	185	86.0	4.25	.015	875			
	WTGO-7R	1.60	224	196	170	86.0	5.50	.015	930			
*	WTGO-7RD	1.60	224	197	171	87.0	5.50	.015	930			
	WTGO-7D	2.00	280	244	212	86.0	5.50	.015	930			
	WTGO-8	2.30	322	266	231 ⁸	-	5.75	.025	1,030			
	WTGO-9	2.55	357	295	257 ⁸	-	6.00	.030	1,135			

Boiler order options include
 Packaged boiler: Assembled block with jacket, collector hood and controls installed (order burner separately); sizes 3-6
 Semi-packaged boiler: Assembled block with jacket and collector hood installed (order burner and trim separately); sizes 3-6
 Knocked-down boiler: Assembled block, all other components are cartoned and shipped separately; all sizes



STANDARD EQUIPMENT:

BOILER

- Factory tested and assembled cast iron section assembly (jacket and collector hood are not assembled on 7, 8 and 9 section blocks)
- Tankless heater (Packaged* units) or tankless opening cover plate (Semi-Packaged* & Knocked-Down* units)
- Insulated steel jacket
- Aluminized steel flue collector hood with flue cap on top outlet (convertible to rear outlet)
- Swing-away burner mounting door
- Refractory blanket and target wall in combustion area
- Circulator (when ordered)
 - Sizes 3-4: Taco 007e
 - Sizes 5-6: Taco 007
- Combination limit control, tankless heater control and LWCO with integrated service switch
- Two vent pipe brackets
- Pressure/temperature gauge
- 30 PSI ASME relief valve (boiler sections tested for 50 PSIG working pressure)
- Drain valve
- Barometric damper

OPTIONAL EQUIPMENT:

- High-efficiency flame-retention oil burner (Beckett AFG, Carlin EZ or Riello). Specify 2-Stage fuel unit (optional, Beckett) if required
- Vent damper kits

LIMITED TRANSFERABLE WARRANTY:

- Residential: 20 Years Heat Exchanger; 2 Years Parts
- Commercial: 10 Years Heat Exchanger; 1 Year Parts

⁴Boiler model suffixes:

R = Reduced input version—a burner nozzle change may be required, refer to the burner instructions or boiler's rating label for correct selection. No separate/additional damper kit required.

D = High input version—installation of the separate High Input Vent Damper kit (part # 381800515) is required, also a burner nozzle change may be required, refer to the burner instructions or boiler's rating label for correct selection.

RD = ENERGY STAR 87% AFUE compliant only when installed with the separate ES Vent Damper kit (part numbers 381800501 through 381800506) and at the reduced burner rate.

L = Designates a boiler with a special narrow front section (1 1/2 supply tapping) for space constraint installations (i.e., Levittown).

⁵No. 2 fuel oil—Commercial Standard Specification CS75-56. Heating value of oil-140,000 BTU/Gal.

⁶Based on standard test procedures prescribed by the United States Department of Energy.

⁷MBH refers to thousands of BTU per hour.

⁸AHRI gross output.

⁹Net AHRI ratings are based on net installed radiation adequate for the requirements of the building, including a piping and pickup allowance of 1.15-sufficient for normal conditions. Provide additional allowance only for unusual piping and pickup loads.

¹⁰Tankless heater rating is in gallons of water per minute, heated from 40°F to 140°F with 200°F boiler water temperature—tested in accordance with I-W-H testing and rating standard for indirect tankless water heaters test with boilers.

In the interest of continual improvement in product and performance, Weil-McLain reserves the right to change specifications without notice.