



V8200A,C,H,M and VR8200A,C,H,M Continuous Pilot Combination Gas Controls

INSTALLATION INSTRUCTIONS

APPLICATION

These continuous pilot combination gas controls are used in gas-fired appliances up to 200 cfh capacity of natural gas. They include safety shutoff, a manual valve, one or two automatic operators, a pressure regulator and a pilot filter. Body pattern is straight-through with 1/2 in. inlet and 1/2 in. outlet. An ECO connector (part no. 393200-1) with two 1/4 in. quick connect terminals is available.

See Table 1 for model differences and Table 2 for temperature ranges and regulator types.

Additional 90° angle and straight flanges are available for 3/8, 1/2, and 3/4 in. pipe. See Table 3 for flange part numbers. Flange kits include one flange with attached O-ring, four mounting screws, and a 9/64 in. hex wrench.

Controls are factory-set for natural (and manufactured) or LP gas. Do not attempt to use a control set for natural (manufactured) gas on LP gas, or a control set for LP on natural (manufactured) gas.

Controls with standard or slow opening regulators can be converted from one gas to the other with a conversion kit (order separately). Order Part No. 393691 to convert from natural (manufactured) to LP gas; order Part No. 394588 to convert from LP to natural (manufactured) gas. Controls with step opening regulators cannot be converted.

CSA Certificate: 112395

Australian Gas Association Certificate: 4752

Table 1. Continuous Pilot Combination Gas Control Models.

Model	Voltage Frequency	Number of Automatic Operators	Gas Control Knob Positions	Current Draw
V8200	24 V/60 Hz	One	OFF-PILOT-ON	0.30
VR8200	24 V/60 Hz	Two	OFF-PILOT-ON	0.5

Table 2. Model Number Suffix Letter Designation.

Model No. Suffix Letter	Ambient Temperature Range	Regulator Type
A	0° to 175° F (-18° to 79° C)	Standard
C	0° to 175° F (-18° to 79° C)	Step-opening
H	0° to 175° F (-18° to 79° C)	Slow-opening
M	-40° to 175° F (-40° to 79° C)	Standard

Table 3. Flange Part Numbers.

Inlet/Outlet Pipe Size	Flange Type	Part No. Less Hex Wrench	With Hex Wrench
3/8 in. NPT	Straight	NA	393690-11
	Elbow ^a	393690-2	NA
1/2 in. NPT	Straight	393690-6	NA
	Elbow ^a	393690-3	393690-13
3/4 in. NPT	Straight	393690-4	NA
	Elbow ^a	393690-5	393690-15

^aElbow (angle) flanges cannot provide right hand inlet when the ECO connector is used.

NOTE: Flange Kits include one flange with attached O-ring and four mounting screws. Kits include 9/64 inch hex wrench, as noted.



INSTALLATION

When Installing This Product...

1. Read these instructions carefully. Failure to follow them could damage the product or cause a hazardous condition.
2. Check the ratings given in the instructions and on the product to make sure the product is suitable for your application.
3. Installer must be a trained, experienced service technician.
4. After installation is complete, check out product operation as provided in these instructions.

! WARNING

Fire or Explosion Hazard can cause property damage, severe-injury or death. Follow these warnings exactly:

1. Disconnect power supply before wiring to prevent electrical shock or equipment damage.
2. To avoid dangerous accumulation of fuel gas, turn off gas supply at the appliance service valve before starting installation, and perform Gas Leak Test after completion of installation.
3. Do not attempt to use a control set for natural (manufactured) gas on LP gas, or a control set for LP on natural (manufactured) gas.
4. Do not bend pilot tubing at control or pilot after compression nut has been tightened, or gas leakage at the connection may result.
5. Always install sediment trap in gas supply line to prevent contamination of gas control.
6. Do not force the gas control knob. Use only your hand to push down the reset button or turn the gas control knob. Never use any tools. If the knob or reset button will not operate by hand, the control should be replaced by a qualified service technician. Force or attempted repair may result in fire or explosion.

! CAUTION

Never apply a jumper across or short the valve coil terminals. This may burn out the heat anticipator in the thermostat.

IMPORTANT

These gas controls are shipped with protective seals over inlet and outlet tappings. Do not remove seals until ready to connect piping.

Follow the appliance manufacturer's instructions if available; otherwise, use the instructions provided below as a guide.

Convert between Natural and LP Gas

! WARNING

Fire or Explosion Hazard can cause property damage, severe-injury or death. Do not attempt to use a control set for natural (manufactured) gas on LP gas, or a control set for LP on natural (manufactured) gas.

To convert a control from natural gas to LP gas, or from LP gas to natural gas, contact your Resideo representative.

Install Adapters to Control

If adapters are to be installed on the gas control, mount them as follows:

Flanges:

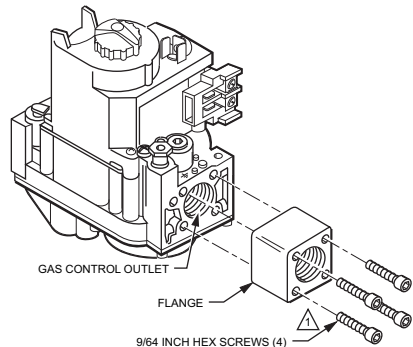
1. Choose the appropriate flanges for your application.

NOTE: A right angle inlet flange cannot be used with ECO connected.

2. Remove seal over control inlet or outlet.
3. Check to ensure that the O-ring is fitted in the groove of flange. If the O-ring is not attached or is missing, do not use the flange.
4. With O-ring facing valve, line up the screw holes on the control with the holes in the flange. Insert and tighten the screws provided with the flange (See Fig. 1). Tighten the screws to 25 in.-lbs (2.8 N-m) of torque to provide a gas-tight seal.

Bushings:

1. Remove seal over control inlet and outlet.
2. Apply moderate amount of good quality pipe compound to bushing, leaving two end threads bare. On LP installation, use compound resistant to LP gas. Do NOT use Teflon™ tape.
3. Insert bushing in control and thread pipe carefully into bushing until tight.



! DO NOT OVERTIGHTEN SCREWS. TIGHTEN TO 25 INCH-POUNDS.

M2913A

Fig. 1. Fasten Flange to Valve with 25 in.- lbs (2.8 N-m) Torque.

Complete instructions below for piping, installing control, and connecting pilot tubing, thermocouple, and wiring. Make certain the gas leak test you perform on the control after completing the installation includes leak testing the

adapters and screws. If you use a wrench on the valve after flanges are installed, use the wrench only on the flange, not the control.

Using Adapters to Solve Swing Radius Problems

In some field service applications, it is difficult or impossible to thread the control onto the gas supply pipe because of space limitations. This problem can be resolved in many instances through the use of an adapter.

The adapter is installed on the end of the supply pipe in place of the gas control, following the same precautions and instructions that are used for installing the gas control. After the adapter is installed, the gas control is attached to the adapter as outlined above. Note that use of an adapter increases the overall length of the gas control.

Location

Do not locate the combination gas control where adverse environments such as steam cleaning, high humidity or dipping water, corrosive chemicals, dust or grease accumulation, or excessive heat are prevalent. To ensure proper operation, follow these guidelines:

- Locate in a well ventilated area.
- Mount high enough above the cabinet bottom to avoid exposure to flooding or splashing water.
- Ensure that the ambient temperature does not exceed the ambient temperature ratings for each component.
- Cover if appliance is cleaned with water, steam, or chemicals or to avoid dust and grease accumulation.
- Avoid locating where exposure to corrosive chemical fumes or dipping water is likely.

Mount the combination gas manifold. If this is a replacement application, mount the control in same location as old control.

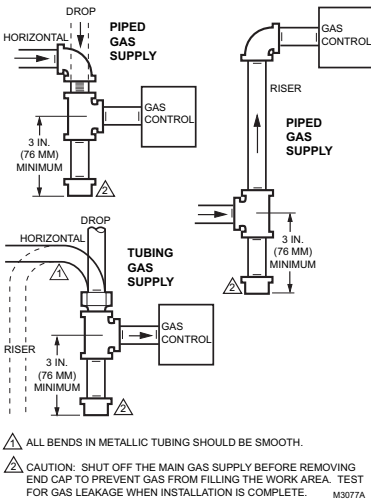


Fig. 2. Sediment Trap Installation.

Install Piping to Control

All piping must comply with local codes and ordinances or with the Natural Fuel Gas Codes (ANSI Z223.1 NFPA No. 54), whichever applies. Tubing installation must comply with approved standards and practices.

1. Use new, properly reamed pipe free from chips. If tubing is used, make sure the ends are square, deburred and clean. All tubing bends must be smooth and without deformation.
2. Run pipe or tubing to the control. If tubing is used, obtain a tube-to-pipe coupling to connect the tubing to the control.
3. Install sediment trap in the supply line to the gas control (See Fig. 2).

Install Control

1. This control can be mounted 0-90 degrees, in any direction, from the upright position of the gas control knob, including vertically.
2. Mount the control so gas flow is in the direction of the arrow on the bottom of the control.
3. Thread pipe the amount shown in Table 4 for insertion into control. DO NOT THREAD PIPE TOO FAR. Valve distortion or malfunction may result if the pipe is inserted too deeply.

Table 4. NPT Pipe Thread Length (in.).

Pipe Size	Thread Pipe this Amount	Maximum Depth Pipe can be Inserted into Control
3/8	9/16	3/8
1/2	3/4	1/2
3/4	13/16	3/4

4. Apply a moderate amount of good quality pipe compound (DO NOT use Teflon tape) to pipe only, leaving two end threads bare. On LP installations, use compound resistant to LP gas (See Fig. 3).
5. Remove seals over control inlet and outlet, if necessary.
6. Connect pipe to control inlet and outlet. Use wrench on the square ends of the control. If a flange is used, place wrench on flange rather than control (Refer to Fig. 4 and 5).

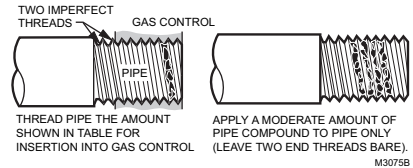


Fig. 3. Use of Moderate Amount of Pipe Compound.

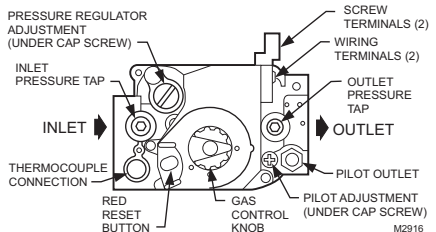


Fig. 4. Top View of Gas Control.

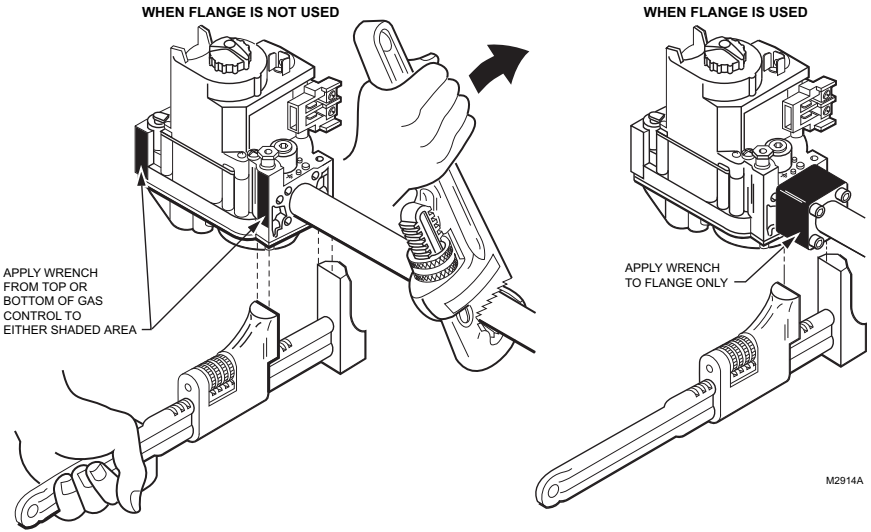


Fig. 5. Proper use of Wrench on Gas Control with and without Flanges.

Connect Pilot Gas Tubing

1. Cut tubing to desired length and bend as necessary for routing to pilot burner. Do not make sharp bends or deform the tubing. Do not bend tubing at control after compression nut has been tightened, as this may result in gas leakage at the connection.
2. Square off and remove burrs from end of tubing.
3. Unscrew brass compression fitting from the pilot outlet (Fig. 4). Slip the fitting over the tubing and slide out of the way.

NOTE: When replacing a control, cut off old compression fitting and replace with the compression fitting provided on the combination gas control. Never use the old compression fitting as it may not provide a gas-tight seal. Refer to Fig. 6.

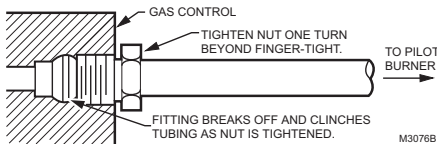


Fig. 6. Always use New Compression Fitting.

4. Push tubing into the pilot gas tapping on the outlet end of the control until it bottoms. While holding tubing all the way in, slide fitting into place and engage threads—turn until finger tight. Then tighten one more turn with wrench. Do not overtighten.

5. Connect other end of tubing to pilot burner according to pilot burner manufacturer's instructions.

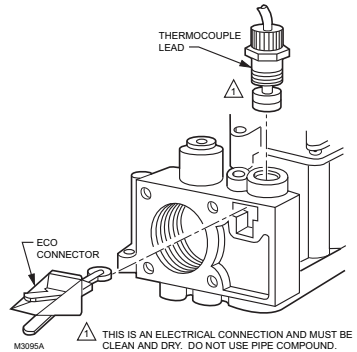


Fig. 7. Installing Thermocouple and Optional ECO Adapter to the Power Unit.

Connect Thermocouple

If a supplementary limit or energy cutoff will be used, insert the ECO connector (order Part No. 393200-1) as shown in Fig. 7, then connect the thermocouple lead. If not, insert thermocouple lead directly. This is an electrical connection and must be clean and dry. Never use pipe compound. Tighten only 1/4 turn beyond finger tight to give good electrical continuity. DO NOT OVERTIGHTEN.

Wiring

Follow the wiring instructions furnished by the appliance manufacturer, if available, or use the general instructions provided below. Where these instructions differ from the appliance manufacturer's, follow the appliance manufacturer's instructions.

All wiring must comply with applicable electrical codes and ordinances.

Disconnect power supply before making wiring connections to prevent electrical shock or equipment damage.

1. Check the power supply rating on the valve and make sure it matches the available supply. Install transformer, thermostat and other controls as required.
2. Connect control circuit to gas control terminals. Refer to Fig. 4 and 8.

Connect Supplementary Limit or ECO (if used)

The leadwires from the high limit or ECO must be equipped with insulated 1/4 in. female quick-connect terminals. Leadwire lengths must not exceed the lengths shown in Tables 5 and 6. Connect the high-limit or ECO leadwires to the two terminals on the ECO connector.

Table 6. Maximum Length of Supplementary Limit Leadwires when using Q309A Thermocouple.

Thermocouple Length		Maximum Leadwires Length X 2 (wires)					
		AWG No. 14		AWG No. 16		AWG No. 18	
Inches	Meters	in.	m	in.	m	in.	m
12	0.3	47	1.2	30	0.8	18	0.5
18	0.5	41	1.0	26	0.7	16	0.4
24	0.6	35	0.9	22	0.6	14	0.4
30	0.8	29	0.8	18	0.5	11	0.3
36	0.9	23	0.6	15	0.4	9	0.2
40	1.0	19	0.5	12	0.3	7	0.2
48	1.2	11	0.3	7	0.2		
54	1.4	DO NOT USE					
60	1.5						
72	1.8						

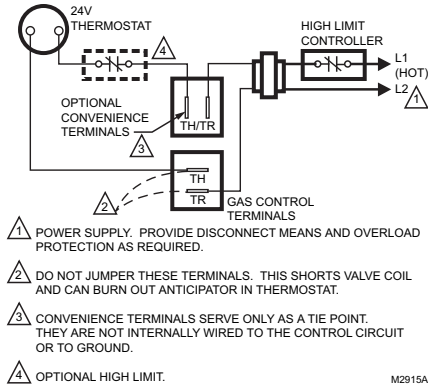


Fig. 8. Wiring Connections.

Table 5. Maximum Length of Supplementary Limit Leadwires when using Q340A Thermocouple.

Thermocouple Length		Maximum Leadwires Length X 2 (wires)					
		AWG No. 14		AWG No. 16		AWG No. 18	
Inches	Meters	in.	m	in.	m	in.	m
12	0.3	41	1.0	26	0.7	16	0.4
18	0.5	35	0.9	22	0.6	13	0.3
24	0.6	29	0.7	18	0.5	11	0.3
30	0.8	23	0.6	15	0.4	9	0.2
36	0.9	17	0.4	11	0.3	6	0.2
40	1.0	13	0.3	8	0.2		
48	1.2	DO NOT USE					
54	1.4						
60	1.5						
72	1.8						

STARTUP AND CHECKOUT

⚠ WARNING

Fire or Explosion Hazard can cause property damage, severe injury or death.

Do not force the gas control knob on the appliance. Use only your hand to push down the reset button or turn the gas control knob. Never use any tools.

If the knob or reset button will not operate by hand, or if the reset button stays depressed after it is released, the control should be replaced by a qualified service technician.

Gas Control Knob Settings

Gas Control knob settings are as follows:
 OFF prevents pilot and main gas flow through the control. PILOT permits gas to flow to the pilot burner as long as red knob is held down or thermocouple current is above the power unit dropout value. ON permits gas to flow into the control body. Pilot gas is controlled as in the PILOT position. Main burner gas flow is controlled by the thermostat and automatic valve operator(s).

NOTE: Valves are shipped with the gas control knob in the ON position.

Perform Gas Leak Test

! WARNING

Fire or Explosion Hazard can cause property damage, severe injury or death. Check for gas leak with soap and water solution any time work is done on a gas module.

Gas Leak Test

1. Paint pipe connections upstream of gas control with rich soap and water solution. Bubbles indicate gas leak.
2. If leak is detected, tighten pipe connections.
3. Stand clear of main burner while lighting to prevent injury caused from hidden leaks which could cause flashback in the appliance vestibule. Light main burner.
4. With main burner in operation, paint pipe joints (including adapters) and control inlet and outlet with rich soap and water solution.
5. If another leak is detected, tighten adapter screws, joints, and pipe connections.
6. Replace part if leak can't be stopped.



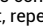



CAUTION

Check and Adjust Gas Input to Main Burner

1. Do not exceed input rating stamped on appliance nameplate, or manufacturer's recommended burner orifice pressure for size orifice(s) used. Make certain primary air supply to main burner is properly adjusted for complete combustion. Follow appliance manufacturer's instructions.
2. IF CHECKING GAS INPUT BY CLOCKING GAS METER: Make certain there is no gas flow through the meter other than to the appliance being checked. Other appliances must remain off with their pilots extinguished (or their consumption must be deducted from the meter reading). Convert flow rate to Btuh as described in form 70-2602, Gas Controls Handbook, and compare to the Btuh input rating on appliance nameplate.
3. IF CHECKING GAS INPUT WITH MANOMETER: Make certain gas control is in PILOT position before removing outlet pressure tap plug to connect manometer (pressure gauge). Also turn gas control knob back to PILOT when removing gauge and replacing plug. Before removing inlet pressure tap plug, shut off gas supply at the manual valve in the gas piping to the appliance or, for LP, at the tank. Also shut off gas supply before disconnecting manometer and replacing plug. Repeat Gas Leak Test at plug with main burner operating.

Light Pilot


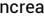
1. Rotate the gas control knob clockwise  to OFF. Wait five minutes to allow any unburned gas to dissipate. Sniff around the appliance near the floor. Don't relight if you smell gas.
2. Rotate the gas control knob counterclockwise  to PILOT. Push down and hold the red reset button while you light pilot burner according to appliance manufacturer's instructions.
3. After about one minute, release reset button. Pilot should remain lit. If it goes out, turn gas control knob clockwise  to OFF. To relight, repeat steps 1-3.
4. After pilot remains lit when red reset button is released, turn gas control knob counterclockwise  to ON.

Turn On Main Burner

Follow instructions provided by appliance manufacturer or turn thermostat up to call for heat.

Adjust Pilot Flame

The pilot flame should envelop 3/8 to 1/2 in. (10 to 13 mm) of the tip of the thermocouple. Refer to Fig. 9.

1. Remove pilot adjustment cover screw. Refer to Fig. 4.
2. Turn inner adjustment screw clockwise  to decrease or counterclockwise  to increase pilot flame.
3. Always replace cover screw after adjustment. Tighten firmly to prevent gas leakage.

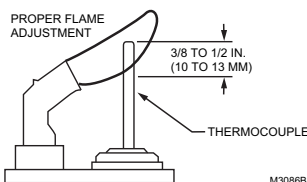

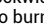


Fig. 9. Proper Flame Adjustment.

Standard Pressure Regulator

1. Check the manifold pressure listed on the appliance nameplate. Gas control outlet pressure should match the nameplate.
2. With main burner operating, check gas control flow rate using the meter clocking method or pressure using a manometer connected to the outlet pressure tap on the gas control. Refer to Fig. 4.
3. If necessary, adjust pressure regulator to match appliance rating. Refer to Table 7 for factory set nominal outlet pressure and adjustment range.
 - a. Remove pressure regulator adjustment cap and screw.
 - b. Using screwdriver, turn inner adjustment screw clockwise  to increase or counterclockwise  to decrease gas pressure to burner.
 - c. Always replace cap screw and tighten firmly to ensure proper operation.
4. If desired outlet pressure or flow rate cannot be achieved by adjusting the control, check the control inlet pressure using a manometer at the inlet pressure tap. If inlet pressure is in normal range (refer to Table 7), replace the control. Otherwise, take the necessary steps to provide proper gas pressure on the control.

Step-Opening and Slow Opening Pressure Regulator

1. Check the full rate manifold pressure listed on the appliance nameplate. Gas control full rate outlet pressure should match this rating.
2. With main burner operating, check the control flow rate using the meter clocking method or pressure using a manometer connected to outlet pressure tap on the control. Refer to Fig. 4.


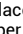
3. If necessary, adjust pressure regulator to match appliance rating. Refer to Table 7 for factory set nominal outlet pressure and adjustment range.
 - a. Remove pressure regulator adjustment cap screw.
 - b. Using screwdriver, turn inner adjustment screw clockwise  to increase or counterclockwise  to decrease gas pressure to burner
 - c. Always replace cap screw and tighten firmly to ensure proper operation.
4. If desired outlet pressure or flow rate cannot be achieved by adjusting the control, check the inlet pressure using a manometer at inlet pressure tap or upstream of the gas control. If inlet pressure is in the normal range (refer to Table 7), replace the existing control. Otherwise, take the necessary steps to provide proper gas pressure to the control.
5. STEP-OPENING PRESSURE REGULATORS ONLY. Carefully check burner lightoff at step pressure. Make sure burner lights smoothly and without flashback to orifice. Make sure all ports remain lit. Cycle burner several times, allowing at least 30 seconds between cycles for regulator to resume step function. Repeat after allowing burner to cool. Readjust full rate outlet pressure if necessary to improve lightoff characteristics.

Table 7. Pressure Regulator Specification Pressures in in. wc.

Model Type	Type of Gas	Nominal Inlet Pressure Range	Factory Set Nominal Outlet Pressure		Setting Range	
			Step	Full Rate	Step	Full Rate
Standard, Slow	NAT	5.0 - 7.0	-	3.5	-	3 - 5
	LP	12.0 - 14.0	-	10.0	-	8 - 12
Step	NAT	5.0 - 7.0	0.9	3.5	None	3 - 5
	LP	12.0 - 14.0	2.2	10.0	None	8 - 12

Table 8. Pressure Regulator Specification Pressures in kPa.

Model Type	Type of Gas	Nominal Inlet Pressure Range	Factory Set Nominal Outlet Pressure		Setting Range	
			Step	Full Rate	Step	Full Rate
Standard, Slow	NAT	1.2 - 1.7	-	0.9	-	0.7 - 1.2
	LP	2.9 - 3.9	-	2.5	-	2 - 3
Step	NAT	1.2 - 1.7	0.2	0.9	None	0.7 - 1.2
	LP	2.9 - 3.9	0.5	2.5	None	2 - 3

Check Safety Shutdown Performance

WARNING

Fire or Explosion Hazard can cause property damage, severe injury or death.

Perform the safety shutdown test any time work is done on a gas system.

1. Place gas control knob in PILOT position. Main burner should go off and pilot should remain lit.
2. Extinguish pilot flame. Pilot gas flow should stop within 2-1/2 minutes. Safety shutoff of pilot gas proves complete shutdown since safety shutoff valve blocks flow of gas to main burner and pilot.
3. Relight pilot burner and operate system through one complete cycle to make sure all controls operate properly.

SERVICE

WARNING

Fire or Explosion Hazard can cause property damage, severe injury or death.

Do not take this control apart; it contains no replaceable components. Attempted disassembly or repair may damage the control.

CAUTION

Do not apply jumper across (or short) the valve coil terminals, even temporarily. Doing so may burn out the heat anticipator in the thermostat.

If Pilot Will Not Light

1. Make sure the main gas supply valve is open and the pilot gas supply line is purged of air.
2. Attempt to light pilot following procedure in "Light Pilot" on page 6.
3. If pilot will not light, check for:
 - a. closed pilot gas adjustment screw.
 - b. clogged pilot burner tubing or orifice.
 - c. gas leak at compression fitting.

If Pilot Goes Out When Reset Button Is Released

1. Make sure the reset button is held in at least one minute to allow the thermocouple time to heat.
2. Check pilot flame adjustment, see page 6.
3. Check the connection to the power unit. This is an electrical connection and must be clean and secure.
4. If pilot still goes out, use a millivoltmeter to measure the exact open circuit output voltages of the thermocouple. Compare to acceptable range charts in the thermocouple specifications. Replace the thermocouple if voltages are outside the acceptable range; otherwise, replace the gas control.

If Main Burner Will Not Come On With Call For Heat

1. Confirm that gas control knob is in the ON position.
2. Adjust thermostat several degrees above room temperature
3. Using ac voltmeter, measure voltage across thermostat terminals at gas control.

4. If no voltage is present, check control circuit for proper operation.
5. If proper control system voltage is present, replace gas control.

INSTRUCTIONS TO THE HOMEOWNER

For Your Safety Read Before Lighting

WARNING

Fire or Explosion Hazard can cause property damage, severe injury or death.

Before lighting, smell all around the appliance area for gas. If the appliance uses LP (bottled) gas, also be sure to smell next to the floor because LP gas is heavier than air. If you smell gas, immediately shut off the manual valve in the gas piping to the appliance, or, ON LP, AT THE TANK. Do not try to light any appliance. Don't touch any electrical switch or use the phone. LEAVE THE BUILDING and call your gas supplier. If your gas supplier cannot be reached, call the fire department.

Do not force the gas control knob on the appliance. Use only your hand to push down the reset button or turn the gas control knob. Never use any tools. If the knob or reset button will not operate by hand, the control should be replaced by a qualified service technician. Force or attempted repair may result in fire or explosion.

The gas control must be replaced if it has been flooded with water. Call a qualified service technician.

If the red reset button stays depressed after it is released, the gas control should be replaced.

The gas control is a safety device. It must be replaced in case of any physical damage such as bent terminals, missing or broken parts, stripped threads, or evidence of exposure to heat.

IMPORTANT

Follow the operating instructions provided by the manufacturer of your heating appliance. The information below will be of assistance in a typical control application, but the specific controls used and the procedures outlined by the manufacturer of your appliance may differ, requiring special instructions.

Teflon™ is a trademark of DuPont de Nemours, Inc.


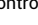
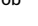


Resideo Technologies, Inc.
1985 Douglas Drive North, Golden Valley, MN 55422
1-800-468-1502

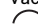
www.resideo.com 69-0422-05 M.S. Rev. 11-20 | Printed in United States


To Light The Pilot Burner

STOP: Read the safety information above.

1. This appliance has a pilot burner which must be lit by hand. If the pilot flame has gone out, follow these instructions exactly.
2. Set thermostat to lowest setting and shut off electric power to appliance.
3. Remove burner access panel if provided on your appliance.
4. Turn gas control knob (Fig. 4) clockwise  to OFF position.
5. Wait five minutes to allow any gas in the combustion chamber to vent. If you then smell gas in the appliance area or near the floor in an LP installation, immediately shut off the manual valve in the gas piping to the appliance or, WITH LP, AT THE TANK. Don't touch any electrical switch or use the phone. LEAVE THE BUILDING and call your gas supplier. If your gas supplier cannot be reached, call the fire department. Failure to do so may result in fire or explosion.
6. If you don't smell gas, turn knob on gas control counterclockwise  to PILOT.
7. Push and hold down red reset button (Fig. 4) while you light the pilot burner. Continue to hold the reset button down for about one minute after the pilot is lit. Release button; pilot should remain lit. If it goes out, repeat steps 4-7. If the reset button does not pop up when released, stop immediately and call your service technician or gas supplier. If pilot will not remain lit after several tries, turn gas control knob to OFF and call your service technician or gas supplier.
8. When pilot remains lit, turn gas control knob counterclockwise  to ON.
9. Replace burner access panel.
10. Turn on power.
11. Set thermostat to desired temperature.

To Turn Off Appliance

Vacation shutdown...turn gas control knob clockwise  from ON to PILOT. Pilot will remain lit, ready for return to normal service without relighting.

Complete shutdown...turn gas control knob clockwise  to OFF. Both pilot and main burner are shut off. The pilot must be manually relit when normal burner operation is desired.