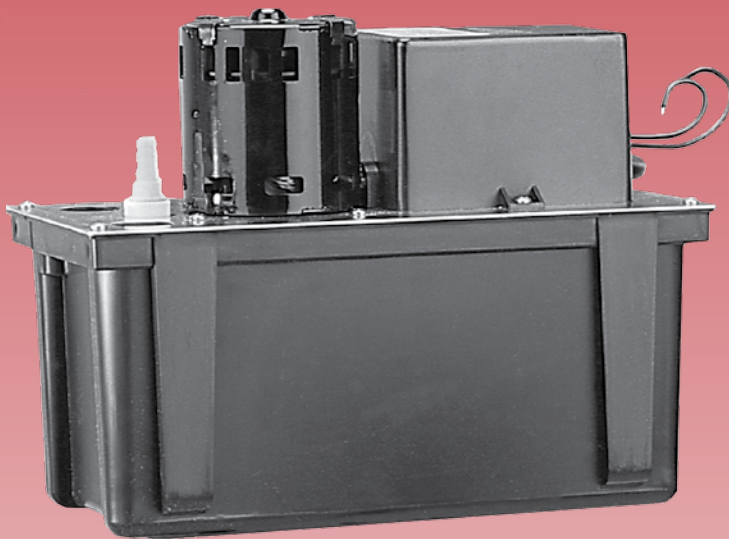


VCL-24ULS Series



Applications

- Designed for automatic collection and removal of condensate from air conditioning, refrigeration and dehumidification equipment when gravity drainage is not possible or practical. Also suitable for high efficiency oil and gas-fired condensing furnace and condensing boiler equipment.

Features

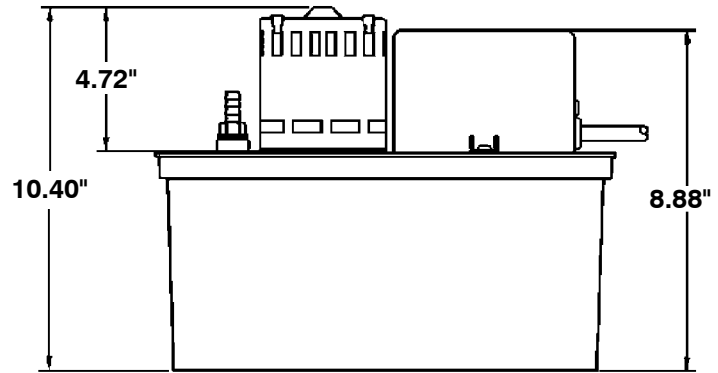
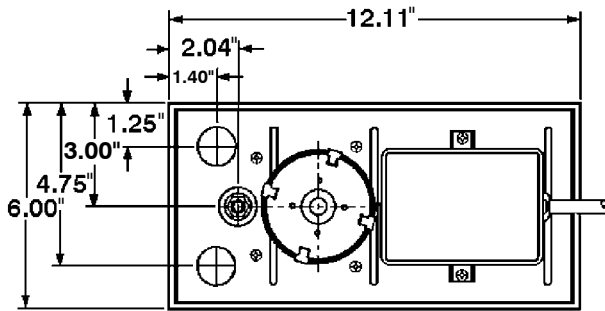
- 1 gallon collection tank
- Vertical centrifugal pump design
- Automatic start and stop operation
- Some models equipped with float (solid polymer) activated switch for automatic high level water detection (safety overflow switch)
- For models with safety overflow switch: dual function NO and NC operation (set to NO from factory for equipment shut down connection)
- Models equipped with safety overflow switch include two 5" switch lead wires
- 1/4" NPT x 3/8" barbed discharge adapter (for use with 3/8" I.D. vinyl tubing)*
 - *Optional 1/4" NPT check valve adapter for 3/8" vinyl tubing sold separately (Part Number 599065)
 - *Optional 1/4" NPT check valve for 3/8" copper tube sold separately (Part Number 599063)
- Two 1-1/8" diameter inlet openings
- Thermally protected, fan cooled motor
- Maximum water temperature: 120 °F
- 6 ft 3-conductor cable with grounded 3-prong plug

Construction

- Pump housing — ABS
- Switch housing — ABS
- Tank — ABS
- Tank cover — Galvanized steel
- Motor shaft — Stainless steel
- Impeller — Polypropylene
- Discharge adapter — Acetal

LittleGIANT

Engineering Data



Specifications

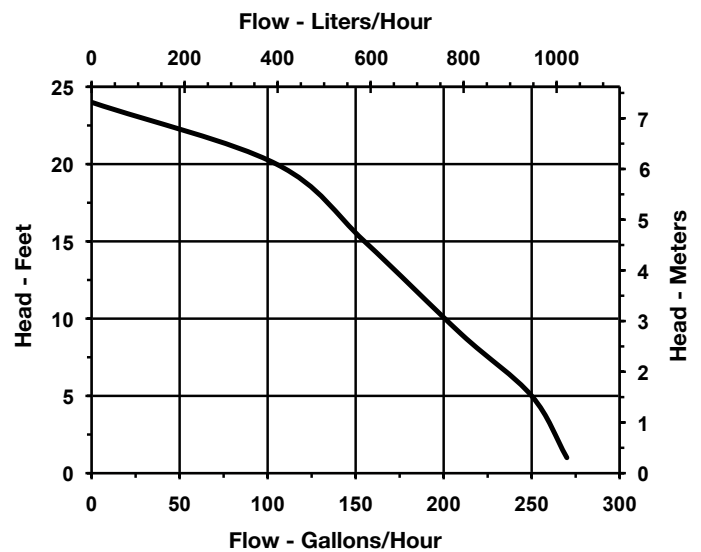
Item No.	Model No.	Discharge Size	HP	Volts	Hertz	Amps	Watts	Performance (GPH@Head)				Shutoff		Cord Length (ft)	Weight (lbs)
								1'	3'	5'	9'	Ft	PSI		
553206	VCL-24UL	1/4" FNPT x 3/8" OD Barbed	1/18	115	60	2.5	148	270	260	250	210	24	10.4	6	8.20
553201	VCL-24ULS	1/4" FNPT x 3/8" OD Barbed	1/18	115	60	2.5	148	270	260	250	210	24	10.4	6	8.20
14940371	VCL-24ULS*	1/4" FNPT x 3/8" OD Barbed	1/18	115	60	2.5	148	270	260	250	210	24	10.4	6	9.25
553211	VCL-24ULS	1/4" FNPT x 3/8" OD Barbed	1/18	230	50/60	1.2	148	270	260	250	210	24	10.4	6	8.20
14940372	VCL-24ULS*	1/4" FNPT x 3/8" OD Barbed	1/18	230	50/60	1.2	148	270	260	250	210	24	10.4	6	9.25

*With 3/8" ID X 20 ft. tubing

Replacement Parts

Item	Part Number
Tank	153502
Cover, volute	153110
Impeller	153131
Adapter, 3/8"	153300
Seal ring	924038
Switch, pump	950337
Switch, safety	950333

Performance Data



P.O. Box 12010
 Oklahoma City, OK 73157-2010
 Phone: 1.800.701.7894
 Fax: 1.800.678.7867
 www.LittleGiantPump.com