

FLEXMOUNTUV

PROTECT YOUR FAMILY AND SAFELY MAINTAIN
HEALTHIER INDOOR AIR

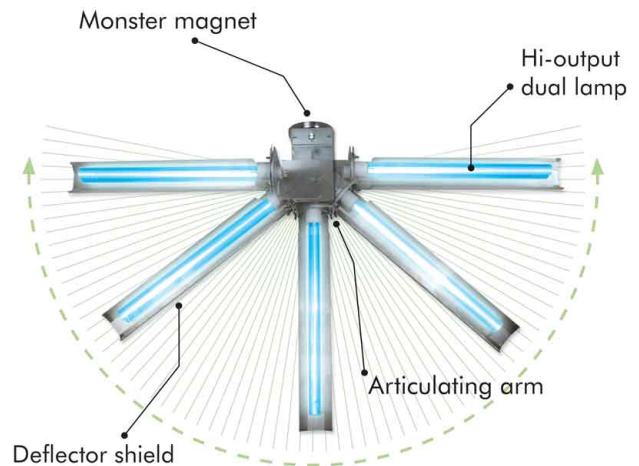


VERSATILE UV PROTECTION

The FlexMountUV is designed for fast, flexible, and easy installation into virtually any forced air ductwork to maximize HVAC operating effectiveness and significantly reduce germs, bacteria, and mold spores in the home. The FlexMountUV is available in 12" and 14.5" single lamp models as well as 13" and 17" dual lamp models. The UVC lamp fixture is designed to easily adjust to any angle for optimum placement inside the AC-coil box plenum. It comes with an adjustable deflector shield to focus the UV energy for maximum benefit.

HOW IT WORKS

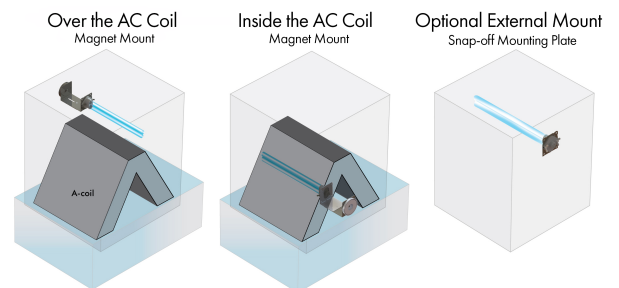
The AC-coil is a key component to a home's cooling system. The AC-coil is enclosed in a dark, wet environment and can become a breeding ground for fungi, mold, and other toxic organics. The FlexMountUV will irradiate UVC ultraviolet light onto the AC-coil, maintaining a clean environment and significantly reducing toxic organics and bioaerosols in the home. The cooling system will operate more efficiently and save money by avoiding unwanted maintenance costs.



HOW IT MOUNTS

FlexMountUV In-duct Air Purifiers can be installed inside the AC-coil box plenum, over the coil, or below the coil with our secure mount heavy-duty magnet, or the FlexMountUV lamp can be installed by inserting it into the AC-coil plenum box with the snap-off zip screw mounting plate. The patented articulating arm allows for a full 180° rotation to target the UVC energy precision AC-coil irradiation.

Installation Options



FLEXMOUNTUV™ COIL CLEANER & AIR PURIFIER SPECIFICATIONS

Model	Sizing (tons)	Voltage	Lamp Length (inches)	Lamp Wattage	Lamp Intensity			Lamp Configuration	Transformer Required
					($\mu\text{W}/\text{cm}^2@1\text{m}$)	($\mu\text{W}/\text{cm}^2@1\text{in}$)	($\mu\text{W}/\text{cm}^2@0\text{in}$)		
UV-12FM	1.5 to 5.0	24	11.9	15	37	4,699	13,098	Single Lamp	20VA
UV-14.5FM	1.5 to 5.0	24	14.1	17	54	8,255	23,010	Single Lamp	20VA
UV-13FM	1.5 to 5.0	24	12.6	24	65	6,858	19,116	Twin Lamp	40VA
UV-17FM	1.5 to 5.0	24	16.3	36	110	13,970	38,940	Twin Lamp	50VA