



UBIZ ZINSCO®

UBIZ ZINSCO BREAKERS

# of Poles	AMP Rating	Catalog Number	UPC
1	15	UBIZ15 (Q15)	0 94925 03038 9
1	20	UBIZ20 (Q20)	0 94925 03039 6
1	30	UBIZ30 (Q30)	0 94925 03040 2
1	40	UBIZ40 (Q40)	0 94925 03044 4
1	50	UBIZ50 (Q50)	0 94925 03045 1
Sleeve Count: 6 Case Count: 24		Catalog numbers in parentheses denote former Zinsco® part numbers.	‡SWD Rating applies to the switching of 15 & 20 amp fluorescent lighting circuits only!
2	15		
2	20	UBIZ220 (QC20)	0 94925 03041 9
2	30	UBIZ230 (QC30)	0 94925 03042 6
2	40	UBIZ240 (QC40)	0 94925 03043 3
2	50	UBIZ250 (QC50)	0 94925 03044 0
2	60	UBIZ260 (QCAL60)	0 94925 03045 7
2	70	UBIZ270 (QCAL70)	0 94925 41812 5
2	80	UBIZ280 (QCAL80)	0 94925 41813 2
2	90	UBIZ290 (QCAL90)	0 94925 41814 9
2	100	UBIZ2100 (QCAL100)	0 94925 03046 4
2	125	UBIZ2125 (QCAL125)	0 94925 41815 6

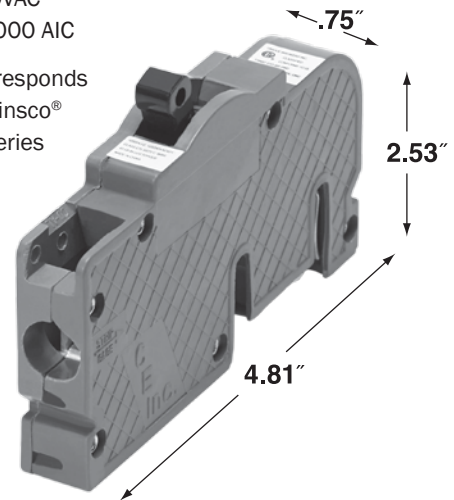
Sleeve Count: 3
Case Count: 72

**Thick Series
One Pole-Plug In**

Requires One 3/4" Space

SWD Rated†
120VAC
10,000 AIC

Corresponds to Zinsco® Q Series



**Thick Series
Two Pole-Plug In**

Requires Two 3/4" Spaces

HACR
120/240VAC
10,000 AIC

Corresponds to Zinsco® QC Series

