



### Flare Connector Reducer Special (FCMA)

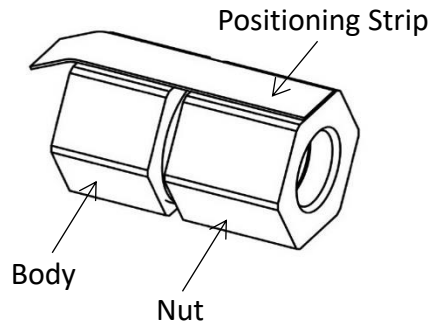
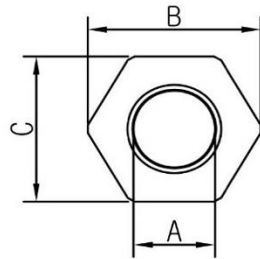
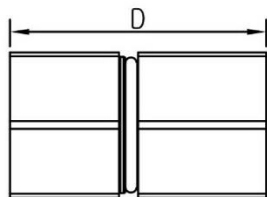


**Features :**

1. Connecting tube to flare valve without flaring work.
2. Specially designed to use multiple angle degrees (such as 37.5° and 45°) of flare valve.
3. Positioning strip aligns all components for easy insertion of tube.
4. Compatible with all refrigerant gases.
5. No limit on pressure and temperature range due to metal to metal sealing technology.
6. Over torque prevention design.
7. Material: Aluminum alloy
8. Color: Red

**Dimensions :**

Model	A Inch (mm)	B Inch (mm)	C Inch (mm)	D Inch (mm)
FCMA1400	0.250 (6.35)	0.748 (19.0)	0.669 (17.0)	1.358 (34.5)
FCMA3800	0.375 (9.52)	0.984 (25.0)	0.866 (22.0)	1.461 (37.1)
FCMA1200	0.500 (12.7)	1.063 (27.0)	0.945 (24.0)	1.512 (38.4)
FCMA5800	0.625 (15.88)	1.181 (30.0)	1.063 (27.0)	1.713 (43.5)
FCMA3400	0.750 (19.05)	1.417 (36.0)	1.260 (32.0)	1.732 (44.0)



### Flare Connector Reducer Special (FCRS)



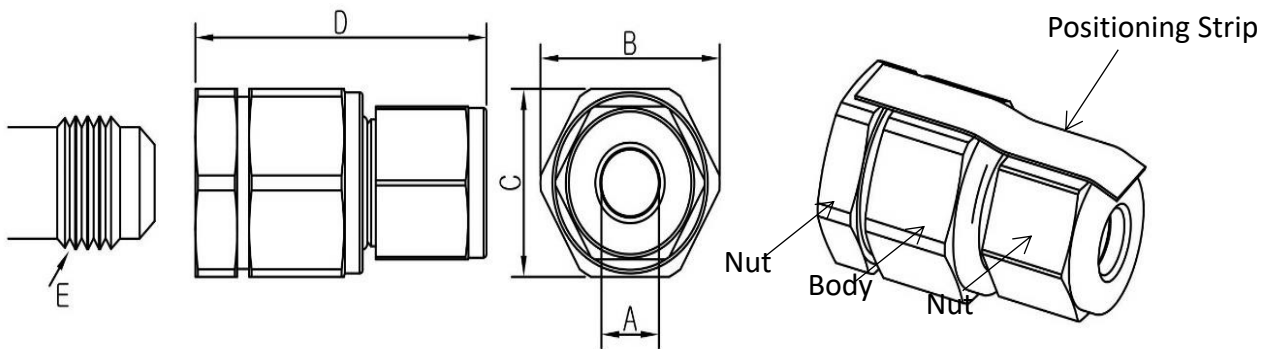


**Features :**

1. Connecting smaller size tube to larger flare valve without flaring or brazing work
2. Specially designed to use multiple angle degrees (such as 37.5° and 45°) of flare valve.
3. Positioning strip aligns all components for easy insertion of tube.
4. Compatible with all refrigerant gases.
3. Same fastening torque design for flare valve and small size tube.
4. Over torque prevention design.
7. No limit on pressure and temperature range due to metal to metal sealing technology.
8. Material: Aluminum alloy
9. Color: Red

**Dimensions :**

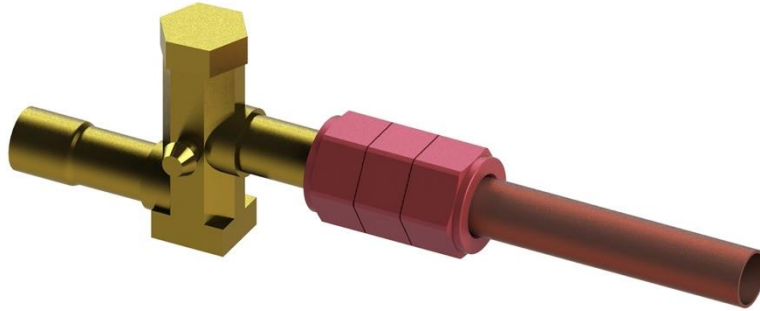
Model	A Inch (mm)	B Inch (mm)	C Inch (mm)	D Inch (mm)	E Socket Size
FCRS1238	0.375 (9.52)	1.063 (27.0)	0.945 (24.0)	1.917 (48.7)	1/2 Inch 3/4" – 16UNF



Submittal

Swage Union (SWUN)



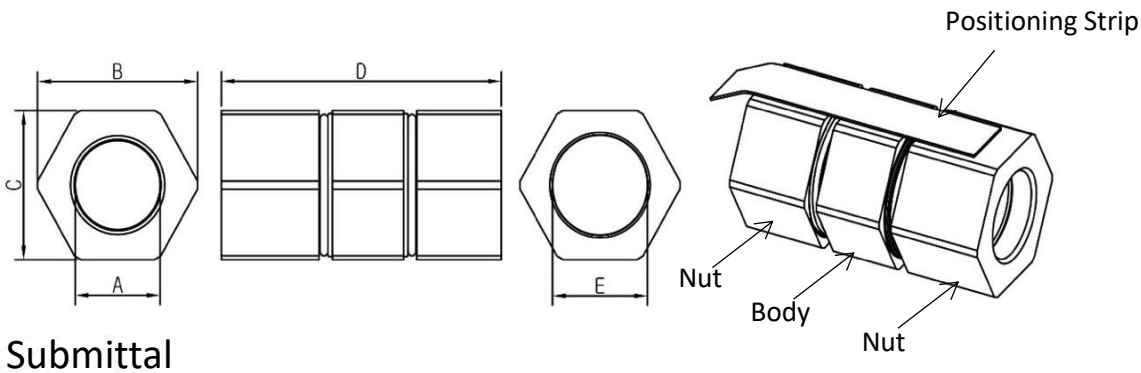


**Features :**

1. Connecting swage tube or valve to tube without brazing.
2. Positioning strip aligns all components for easy insertion fitting onto swage valve and tube.
3. Compatible with all refrigerant gases.
4. No limit on pressure and temperature range due to metal to metal sealing technology.
5. Over torque prevention design.
6. Material : Aluminum alloy
7. Color : Red

**Dimensions :**

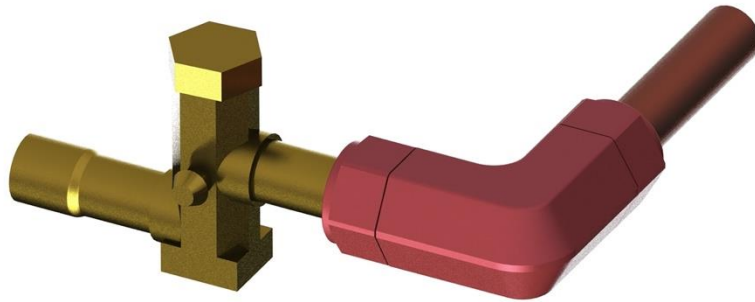
Model	A Inch (mm)	B Inch (mm)	C Inch (mm)	D Inch (mm)	E Inch (mm)
SWUN3800	0.375 (9.52)	0.984 (25.0)	0.866 (22.0)	2.106 (53.5)	0.469 (11.9)
SWUN5800	0.625 (15.88)	1.181 (30.0)	1.063 (27.0)	2.382 (60.5)	0.720 (18.3)
SWUN3400	0.750 (19.05)	1.417 (36.0)	1.260 (32.0)	2.402 (61.0)	0.850 (21.6)
SWUN7800	0.875 (22.22)	1.575 (40.0)	1.417 (36.0)	2.480 (63.0)	0.980 (24.9)



Submittal

Elbow Swage Union (ELSW)



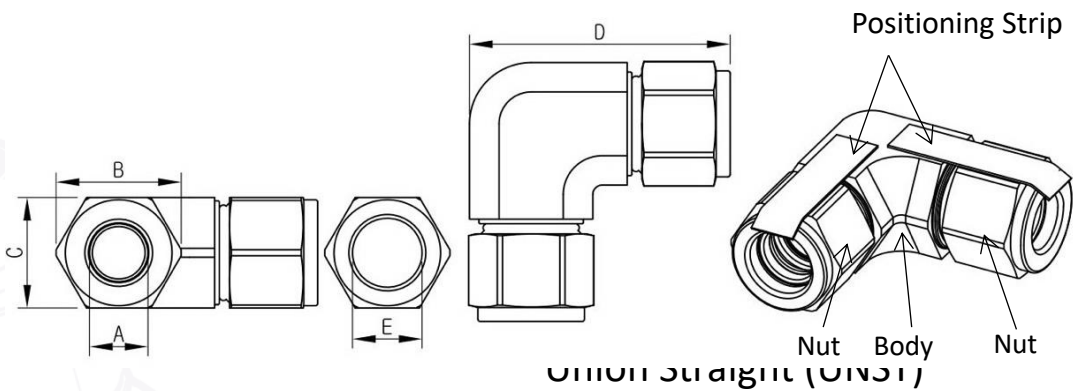


**Features :**

1. Connecting swage valve to tube at a 90 degree angle without the need for brazing.
2. Excellent application for limited spaces between unit (swage valve) and tube.
3. Positioning strip aligns all components for easy insertion fitting onto swage valve and tube.
4. Compatible with all refrigerant gases.
5. No limit on pressure and temperature range due to metal to metal sealing technology.
6. Over torque prevention design.
7. Material : Aluminum alloy
8. Color : Red

**Dimension :**

Model	A Inch (mm)	B Inch (mm)	C Inch (mm)	D Inch (mm)	E Inch (mm)
ELSW3800	0.375 (9.52)	0.984 (25.0)	0.866 (22.0)	2.212 (56.2)	0.469 (11.9)
ELSW5800	0.625 (15.88)	1.181 (30.0)	1.063 (27.0)	2.685 (68.2)	0.720 (18.3)
ELSW3400	0.750 (19.05)	1.417 (36.0)	1.260 (32.0)	3.177 (80.7)	0.850 (21.6)
ELSW7800	0.875 (22.22)	1.575 (40.0)	1.417 (36.0)	3.394 (86.2))	0.980 (24.9)



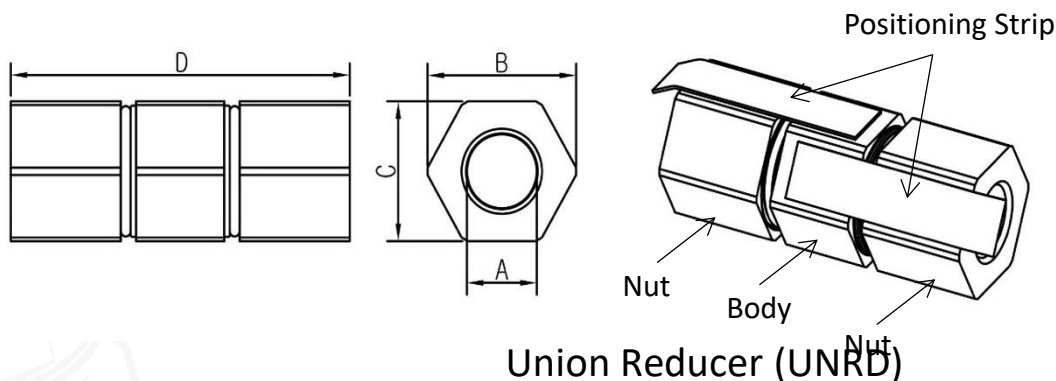


**Features :**

1. Connect tube to tube without brazing.
2. Positioning strip aligns all components for easy insertion of tube.
3. Compatible with all refrigerant gases.
4. No limit on pressure and temperature range due to metal to metal sealing technology.
5. Over torque prevention design.
6. Material : Aluminum alloy
7. Color : Red

**Dimension :**

Model	A Inch (mm)	B Inch (mm)	C Inch (mm)	D Inch (mm)
UNST1400	0.250 (6.35)	0.748 (19.0)	0.669 (17.0)	2.091 (53.1)
UNST3800	0.375 (9.52)	0.984 (25.0)	0.866 (22.0)	2.138 (54.3)
UNST1200	0.500 (12.7)	1.063 (27.0)	0.945 (24.0)	2.272 (57.7)
UNST5800	0.625 (15.88)	1.181 (30.0)	1.063 (27.0)	2.472 (62.8)
UNST3400	0.750 (19.05)	1.417 (36.0)	1.260 (32.0)	2.480 (63.0)
UNST7800	0.875 (22.22)	1.575 (40.0)	1.417 (36.0)	2.480 (63.0)



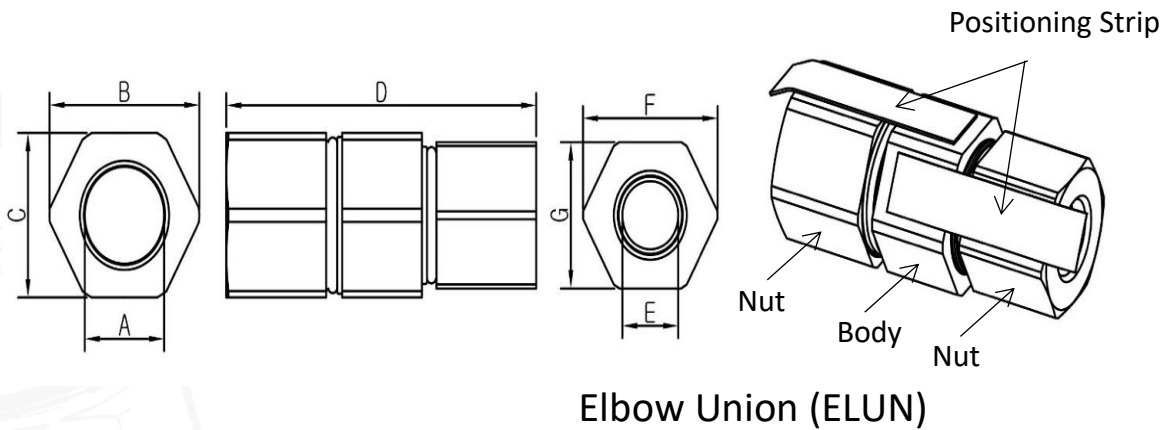


**Features :**

1. Connect tube to tube without brazing.
2. Positioning strip aligns all components for easy insertion of tube.
3. Compatible with all refrigerant gases.
4. No limit on pressure and temperature range due to metal to metal sealing technology.
5. Over torque prevention design.
6. Material : Aluminum alloy
7. Color : Red

**Dimension :**

Model	A Inch (mm)	B Inch (mm)	C Inch (mm)	D Inch (mm)	E Inch (mm)	F Inch (mm)	G Inch (mm)
UNRD3814	0.375(9.52)	0.984(25.0)	0.866(22.0)	2.134(54.2)	0.250(6.35)	0.748(19.0)	0.669(17.0)
UNRD1238	0.500(12.7)	1.063(27.0)	0.945(24.0)	2.248(57.1)	0.375(9.52)	0.984(25.0)	0.866(22.0)
UNRD5812	0.625(15.88)	1.181(30.0)	1.063(27.0)	2.453(62.3)	0.500(12.7)	1.063(27.0)	0.945(24.0)
UNRD3458	0.750(19.05)	1.417(36.0)	1.260(32.0)	2.480(63.0)	0.625(15.88)	1.181(30.0)	1.063(27.0)
UNRD7834	0.875(22.22)	1.575(40.0)	1.417(36.0)	2.480(63.0)	0.750(19.05)	1.417(36.0)	1.260(32.0)





**Features :**

1. Connect tube to tube at 90 degree without any bending work.
2. Eliminates the need for brazing.
3. Positioning strip aligns all components for easy insertion of tube.
4. Compatible with all refrigerant gases.
5. No limit on pressure and temperature range due to metal to metal sealing technology.
6. Over torque prevention design.
7. Material : Aluminum alloy
8. Colo : Red

**Dimensions :**

Model	A Inch (mm)	B Inch (mm)	C Inch (mm)	D Inch (mm)
ELUN1200	0.500 (12.7)	1.063 (27.0)	0.945 (24.0)	2.291 (58.2)
ELUN5800	0.625 (15.88)	1.181 (30.0)	1.063 (27.0)	2.685 (68.2)
ELUN3400	0.750 (19.05)	1.417 (36.0)	1.260 (32.0)	3.177 (80.7)
ELUN7800	0.875 (22.22)	1.575 (40.0)	1.417 (36.0)	3.394 (86.2)

