



Submittal Data Information

Switching Relay

101-052

Effective: December 8, 2020

Supersedes: December 15, 2006

Job: _____ Engineer: _____ Contractor: _____ Rep: _____

ITEM NO.	MODEL NO.	

Features

- Front Diagnostic Lights
- Switchable Priority
- Built-in Priority Protection
- Simplified Wiring
- Premium Sealed Relays
- Compact Design
- Fuse Protected
- 100% Factory Tested
- Isolated End Switch
- Contractor Friendly PC Board Layout
- Universal Thermostat Compatibility
- 24 Volt Power Output for hard wired thermostats
- Field Replaceable Transformer
- UL Approved
- Extended 3 Year Warranty

Additional -EXP Features

- Add-on Power Control Plug
- Built-in; Post Purge and Pump Exercise Functions
- Switchable Primary Circulator Output
- Two boiler contacts, utilizes full functionality of Mod-Con boilers
- Expandable to 20 Zoning Panels (120 zones if all are 6 zone panels)
- Interface with -EXP Zone Valve Controls

The Taco Connection

Combine the reliability of the Taco Zone Valves, Priority Zoning Circulators, Thermostats, and the 00® family of circulators with the advanced features of the Taco Zone Controls to achieve total system integration. No matter the application, Taco now provides the products to maximize system performance while simplifying both installation and service.

External Diagnostics

It's no longer necessary to open the box to troubleshoot the system. Externally visible lights show full functionality of the switching relay. The green light should always be on, indicating that power is connected. When the thermostat calls for heat, both the appropriate circulator and red indicating light is energized.

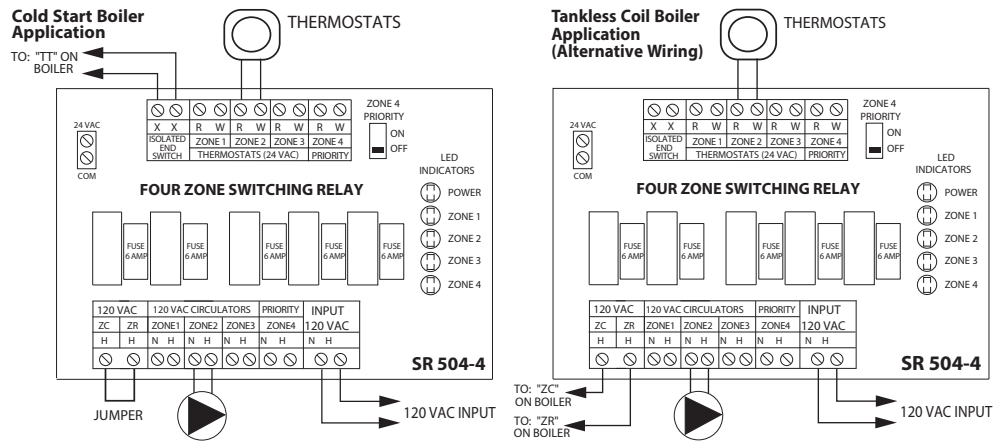
Switching Relays

Taco Switching Relays combine clearly labeled PC board layouts with advanced features that allow for total system customization. Whether using basic priority switching or the advanced features of the -EXP controls, the job is made easy. External indicator lights provide instant diagnostic feedback, making a snap of service calls or new installation start-ups. All switching relays are UL listed, are compatible with conventional and programmable thermostats.

Taco Expandable Switching Relays

Whether you want to expand up to 120 zones or utilize the advanced features of the Add-on Power Controls, Taco -EXP controls allow for simple integration of advanced features. Built-in Post Purge and Pump Exercise functions can optimize the operation of any system.

Wiring Diagram



Switching Relays

Product Number	Number of Zones	Transformer Voltage	Maximum Combined Load	Dimensions of Enclosure		
				Width	Height	Depth
SR501	1 Zone	120 VAC Input	12 amps	4-7/8"	6-5/8"	2-3/8"
SR501-HC	1 or 2 Zone	120 VAC Input	20 amps	4-7/8"	6-5/8"	2-3/8"
SR502	2 with Priority	120 VAC Input	15 amps	10-1/4"	7"	2-3/4"
SR503	3 with Priority	120 VAC Input	15 amps	10-1/4"	7"	2-3/4"
SR504	4 with Priority	120 VAC Input	20 amps	10-1/4"	7"	2-3/4"
SR506	6 with Priority	120 VAC Input	20 amps	12-1/4"	8"	3"

Expandable Switching Relays

Product Number	Number of Zones	PowerPort Slots	Power Control Plugs	Transformer Voltage	Maximum Combined Load	Dimensions of Enclosure		
						Width	Height	Depth
SR501-EXP	1 Zone	0	1	120 VAC Input	12 amps	4-1/4"	6-5/8"	2-3/8"
SR503-EXP	3 with Priority	3	1	120 VAC Input	15 amps	10-1/4"	7"	2-3/4"
SR504-EXP	4 with Priority	3	1	120 VAC Input	20 amps	10-1/4"	7"	2-3/4"
SR506-EXP	6 with Priority	3	1	120 VAC Input	20 amps	12-1/4"	8"	3"

All circulator relay connections, including ZC/ZR, are rated 1/3 hp, 6 amps at 120 VAC. End switch connections are rated 24 VAC, 1 amp. All thermostat connections supply a 24 VAC class 2 output. SR501-HC has a single phase motor rating per zone of 3/4 hp (13.8 A) @ 120 VAC

Add-on Power Controls*

PC700	Boiler Reset Control
PC702	Two Stage Boiler Reset Control
PC705	Variable Speed Pump Injection Mixing Control

*For use with -EXP controls.



Taco, Inc., 1160 Cranston Street, Cranston, RI 02920 | Tel: (401) 942-8000 | FAX: (401) 942-2360
 Taco (Canada), Ltd., 8450 Lawson Road, Suite #3, Milton, Ontario L9T 0J8 | Tel: (905) 564-9422 | FAX: (905) 564-9436
 Visit our web site: www.TacoComfort.com | ©2020 Taco, Inc.

