



BRADFORD WHITE[®]
W A T E R H E A T E R S

**Residential Through-The-Wall (TTW[®])
Gas Water Heaters Replacement Parts List
RG(1,2)PV(40,50)(S,T) 19 Models**



BRADFORD WHITE[®] featuring:
AquaVENT[™] MAX
From FASCO[™]

Includes Hydrojet[®]
Total Performance System

**Effective: January, 2020
ECO 8200**

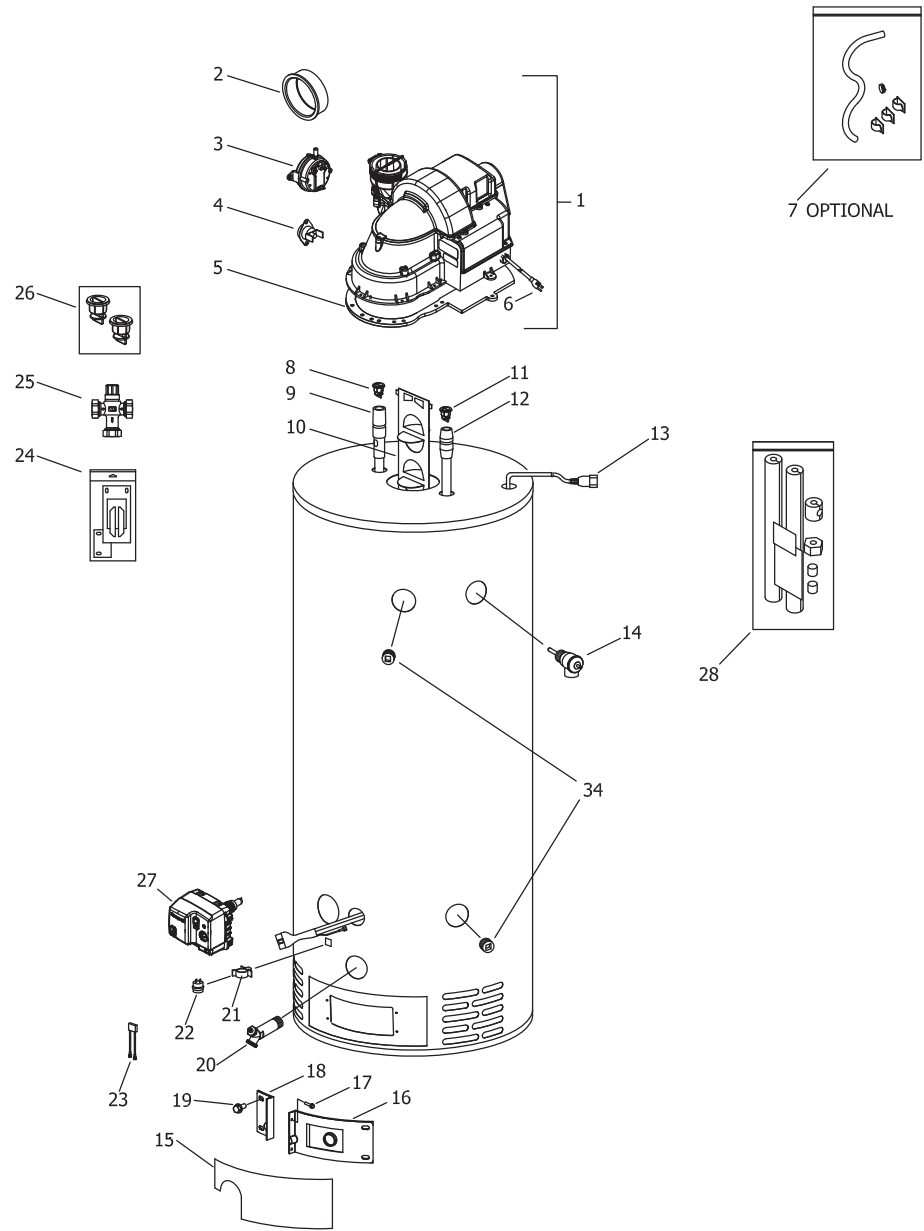
**NOTE: BOTH MODEL AND SERIAL
NUMBERS ARE REQUIRED FOR
ORDERING REPLACEMENT PARTS**

Dimensions and specifications
subject to change without notice.

DEFENDER
SAFETY SYSTEM[®]

WARNING
CANCER AND REPRODUCTIVE HARM
WWW.P65WARNINGS.CA.GOV

As required by the state of California Proposition 65.



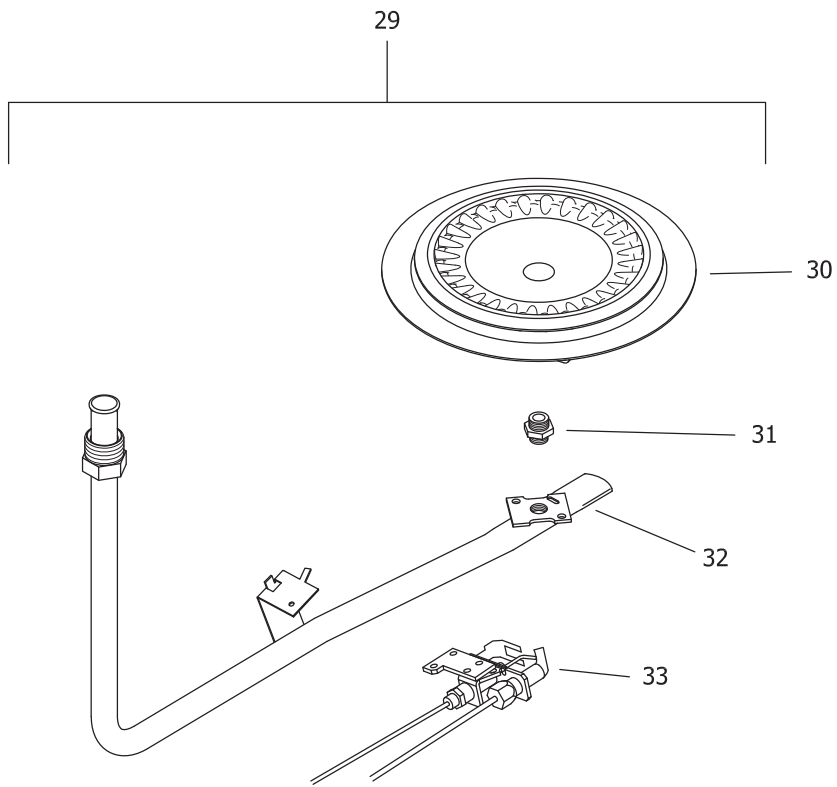
Item Description	Model	Model	Model	Model
	RG1PV40S*(N,X)19	RG1PV50S*(N,X)19	RG2PV40T*(N,X)19	RG2PV50T*(N,X)19
1 Blower Complete	415-53662-00	415-53662-00	415-53662-00	415-53662-00
2 Gasket Adapter Rubber PVC	415-53864-00	415-53864-00	415-53864-00	415-53864-00
3 Pressure Switch	415-45867-05	415-45867-05	415-45867-05	415-45867-05
4 Blower Temperature Switch	415-53692-00	415-53692-00	415-53692-00	415-53692-00
5 Blower Gasket	415-53693-00	415-53693-00	415-53693-00	415-53693-00
6 Blower Power Cord	239-44466-00	239-44466-00	239-44466-00	239-44466-00
7 Condensate Hose Kit (Optional)	239-45875-00	239-45875-00	239-45875-00	239-45875-00
8 Heat Trap Insert (Outlet)	239-45167-00	239-45167-00	239-45167-00	239-45167-00
9 Hot Water Outlet Anode (Magnesium)▲#	224-47776-19	224-47776-19	224-47776-19	224-47776-19
Hot Water Outlet (Aluminum)▲#	224-32999-28	224-32999-28	224-32999-28	224-32999-28
Hot Water Outlet (A420 Aluminum)▲#	224-49560-10	224-49560-10	224-49560-10	224-49560-10
10 Flue Baffle	243-53013-00	243-53013-00	243-53012-00	243-53012-00
11 Heat Trap Insert (Inlet)	239-51556-00	239-51556-00	239-45167-00	239-45167-00
12 Cold Water Inlet Dip Tube ▲▲	229-51230-25	229-51230-25	229-45092-06	229-45092-06
13 Safety Circuit Wire Harness	239-53264-00	239-53264-00	239-53264-00	239-53264-00
14 T&P Relief Valve	230-40594-02	230-40594-02	230-40594-02	230-40594-02
15 Outer Door	243-43962-00	243-43962-00	243-43962-00	243-43962-00
16 Right Side Inner Door Complete w/Gasket	239-45642-18	239-45642-20	239-43963-16	239-45642-18
17 Screw-#8-15 x 3/4 HWH	239-44195-00	239-44195-00	239-44195-00	239-44195-00
18 Left Side Inner Door Complete w/Gasket	239-43968-18	239-43968-20	239-43968-16	239-43968-18
19 Screw-#10-12 x 3/4 HWH	239-44113-00	239-44113-00	239-44113-00	239-44113-00
20 Brass Drain Valve	265-42351-02	265-42351-02	265-42351-02	265-42351-02
21 Flammable Vapor Sensor Clip	239-45648-00	239-45648-00	239-45648-00	239-45648-00
22 Flammable Vapor Sensor Kit (2 pcs)	265-45560-00	265-45560-00	265-45560-00	265-45560-00
23 Flammable Vapor Sensor Harness	239-49791-00	239-49791-00	239-49791-00	239-49791-00
24 Inner Door Gasket Kit	239-44078-00	239-44078-00	239-44078-00	239-44078-00
25 ASSE Approved Mixing Valve (Optional)	239-51778-00	239-51778-00	239-51778-00	239-51778-00
26 Kit-Heat Trap Insert	265-51572-00	265-51572-00	265-45420-00	265-45420-00
27 Gas Valve Natural Gas	239-48795-01	239-48795-01	239-48795-02	239-48795-02
Gas Valve LP Gas	239-48796-01	239-48796-01	239-48796-02	239-48796-02
28 Insulation Kit	239-48949-00	239-48949-00	239-48949-00	239-48949-00

*Applies to all warranties

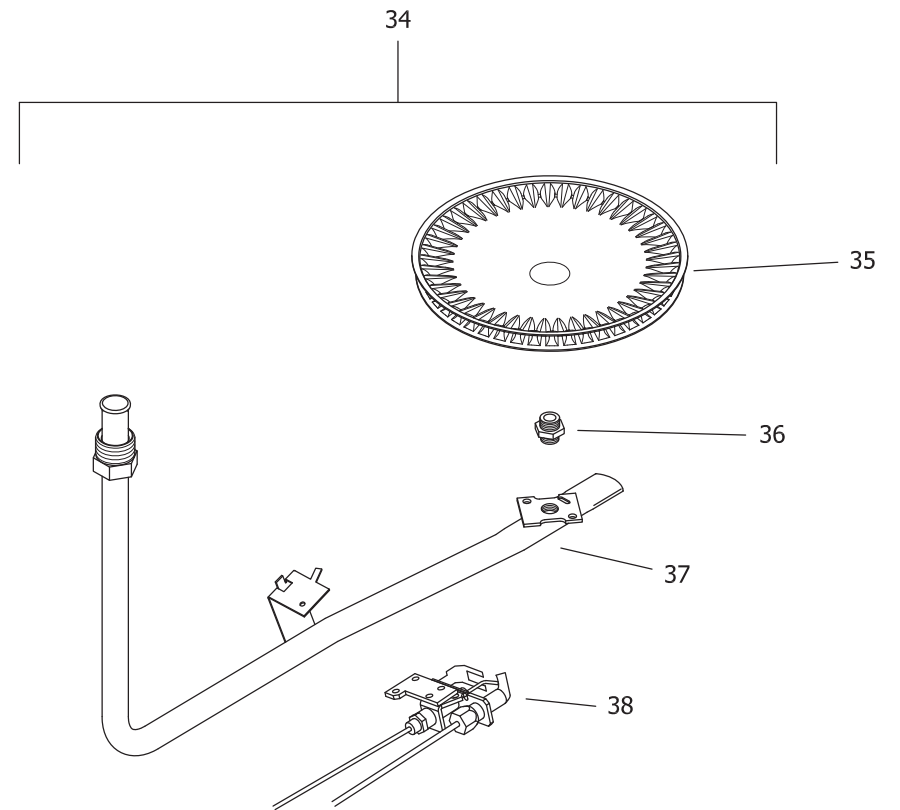
Anode may need to be cut to length

▲ Order with item 9

▲▲ Order with item 12



NATURAL GAS (BN) BURNER ASSEMBLY



LP GAS (SX) BURNER ASSEMBLY

LP GAS (SX) BURNER ASSEMBLY TO REPLACE LP GAS (CX) BURNER ASSEMBLY

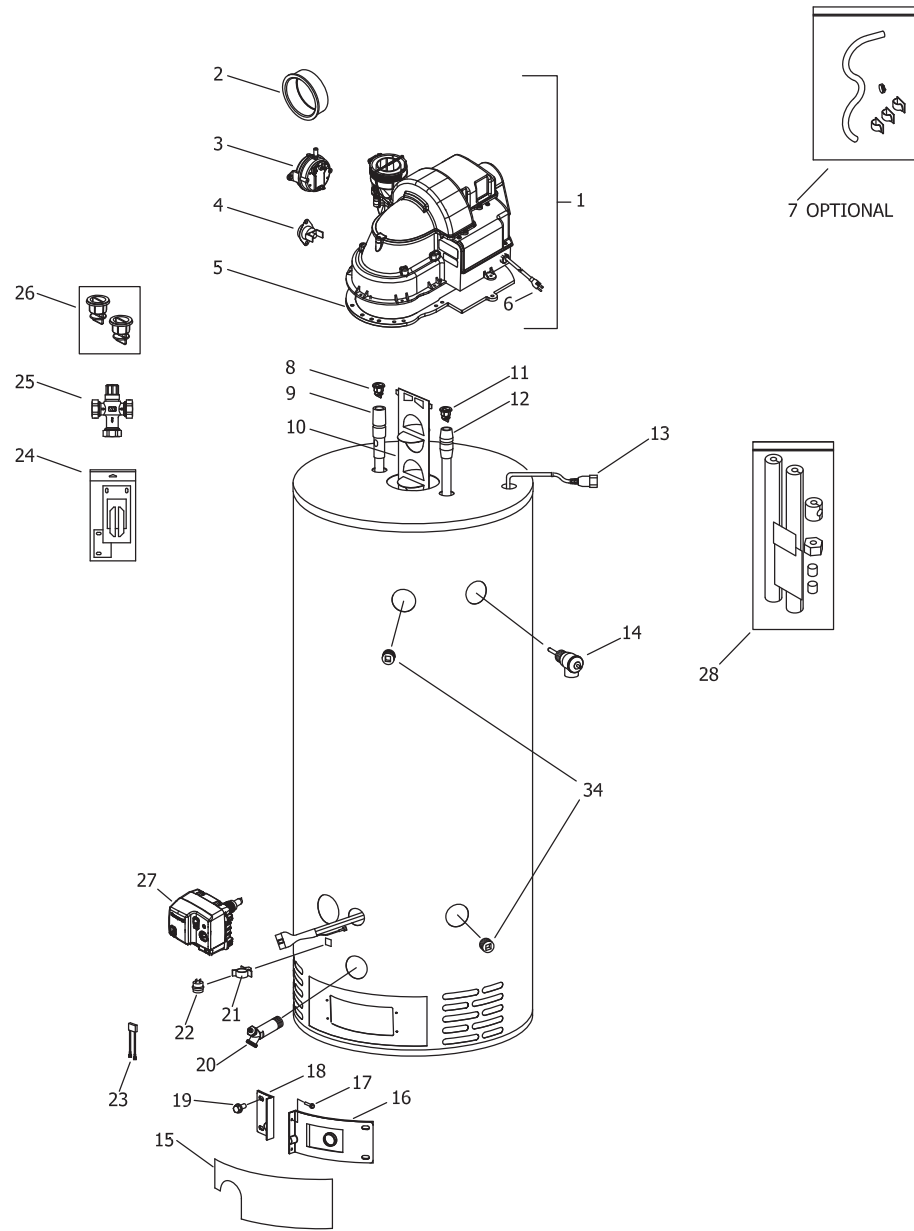
Item Description	Model	Model	Model	Model
	RG1PV40S*(N,X)19	RG1PV50S*(N,X)19	RG2PV40T*(N,X)19	RG2PV50T*(N,X)19
<u>Natural Gas Burner Assembly</u>				
29 Nat Gas Burner Assembly Complete***	265-47439-06-32	265-47439-09-32	265-47439-06-32	265-47439-09-32
30 Nat. Gas (N) Burner**	228-42506-00	228-42506-00	228-42506-00	228-42506-00
31 Nat. Gas (N) Main Burner Orifice 0 Ft. to 2,000 Ft. **	234-41034-32	234-41034-32	234-41034-32	234-41034-32
Nat. Gas (N) High Altitude 0 to 7000 Ft. (-475 model suffixes) **	234-41034-36	234-41034-36	234-41034-36	234-41034-36
Nat. Gas (N) High Altitude Kit (7,001 Ft. to 10,000 Ft.)	265-51380-04-40	265-51380-04-40	265-51380-07-40	265-51380-07-40
32 Nat. Gas Feedline	233-47431-03	233-47431-04	233-47431-03	233-47431-04
33 Nat. Gas Pilot Assembly**	233-45653-05	233-45653-05	233-45653-05	233-45653-05
<u>LP Gas Burner Assembly</u>				
34 LP Gas Burner Assembly Complete***	265-47440-09-50	265-47440-15-50	265-47440-09-50	265-47440-15-50
35 LP Gas (X) Burner**	228-46964-00	228-46964-00	228-46964-00	228-46964-00
36 LP Gas (X) Main Burner Orifice 0 Ft. to 2,000 Ft. **	234-47064-50	234-47064-50	234-47064-50	234-47064-50
LP Gas (X) High Altitude Orifice 0 Ft. to 7000 Ft. (-475 model suffixes) **	234-47064-52	234-47064-52	234-47064-52	234-47064-52
LP Gas (X) High Altitude Orifice Kit 7,001 Ft. to 10,000 Ft.	265-51433-06-53	265-51433-06-53	265-51433-07-53	265-51433-07-53
37 LP Feedline	233-47432-03	233-47432-03	233-47432-03	233-47432-03
38 LP Gas Pilot Assembly**	233-45653-04	233-45653-04	233-45653-04	233-45653-04
LP to Nat. Gas Conversion Kit (Norm Alt.) 0 Ft. to 2,000 Ft.	265-46493-02	265-46493-06	265-46493-83	265-46493-68
LP to Nat. Gas Conversion Kit (High Alt.) 0 Ft. to 7,000 Ft. (-475 model suffixes)	265-46493-96	265-46493-97	265-46493-98	265-46493-99

*Applies to all warranties.

**Inner door gasket kit recommended.

***Ordering a complete burner assembly may increase delivery time. Please order the specific component required for the quickest delivery.

Anode may need to be cut to length.



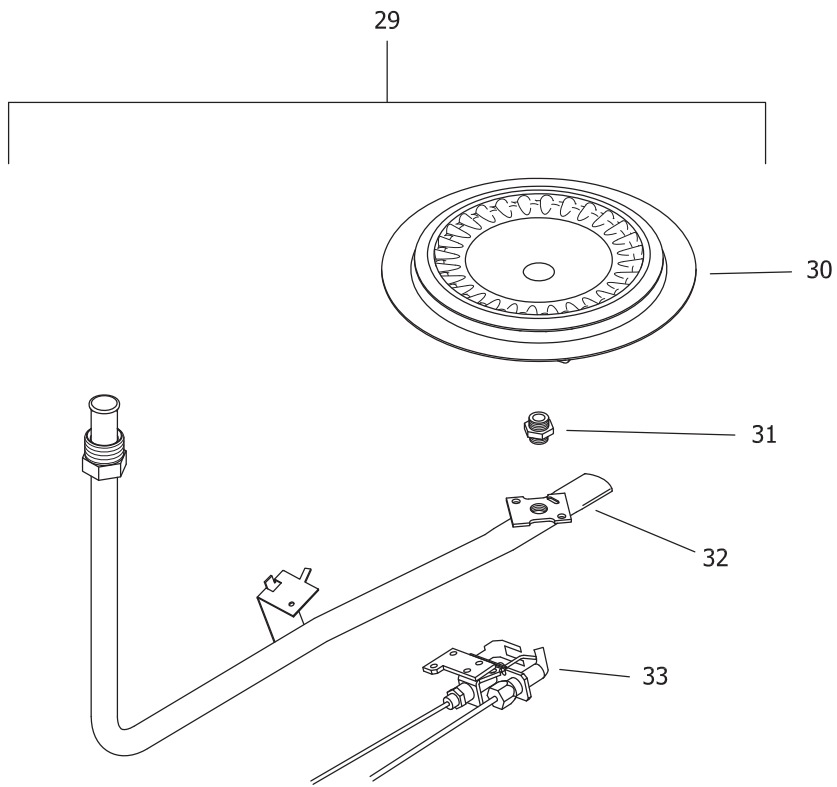
Item Description	Model	Model
	RG2PV40S*(N,X)19	RG2PV50S*(N,X)19
1 Blower Complete	415-53662-00	415-53662-00
2 Gasket Adapter Rubber PVC	415-53864-00	415-53864-00
3 Pressure Switch	415-45867-05	415-45867-05
4 Blower Temperature Switch	415-53692-00	415-53692-00
5 Blower Gasket	415-53693-00	415-53693-00
6 Blower Power Cord	239-44466-00	239-44466-00
7 Condensate Hose Kit (Optional)	239-45875-00	239-45875-00
8 Heat Trap Insert (Outlet)	239-45167-00	239-45167-00
9 Hot Water Outlet Anode (Magnesium)▲#	224-47776-19	224-47776-19
Hot Water Outlet (Aluminum)#	224-32999-28	224-32999-28
Hot Water Outlet (A420 Aluminum)▲#	224-49560-10	224-49560-10
10 Flue Baffle	243-53013-00	243-53013-00
11 Heat Trap Insert (Inlet)	239-51556-00	239-51556-00
12 Cold Water Inlet Dip Tube ▲▲	229-51230-25	229-51230-25
13 Safety Circuit Wire Harness	239-53264-00	239-53264-00
14 T&P Relief Valve	230-40594-02	230-40594-02
15 Outer Door	243-43962-00	243-43962-00
16 Right Side Inner Door Complete w/Gasket	239-45642-18	239-45642-20
17 Screw-#8-15 x 3/4 HWH	239-44195-00	239-44195-00
18 Left Side Inner Door Complete w/Gasket	239-43968-18	239-43968-20
19 Screw-#10-12 x 3/4 HWH	239-44113-00	239-44113-00
20 Brass Drain Valve	265-42351-02	265-42351-02
21 Flammable Vapor Sensor Clip Kit (2 pcs)	265-45648-00	265-45648-00
22 Flammable Vapor Sensor	239-45560-00	239-45560-00
23 Flammable Vapor Sensor Harness	239-49791-00	239-49791-00
24 Inner Door Gasket Kit	239-44078-00	239-44078-00
25 ASSE Approved Mixing Valve (Optional)	239-51778-00	239-51778-00
26 Kit-Heat Trap Insert	265-51572-00	265-51572-00
27 Gas Valve Natural Gas	239-48795-02	239-48795-02
Gas Valve LP Gas	239-48796-02	239-48796-02
28 Insulation Kit	239-48949-00	239-48949-00

*Applies to all warranties

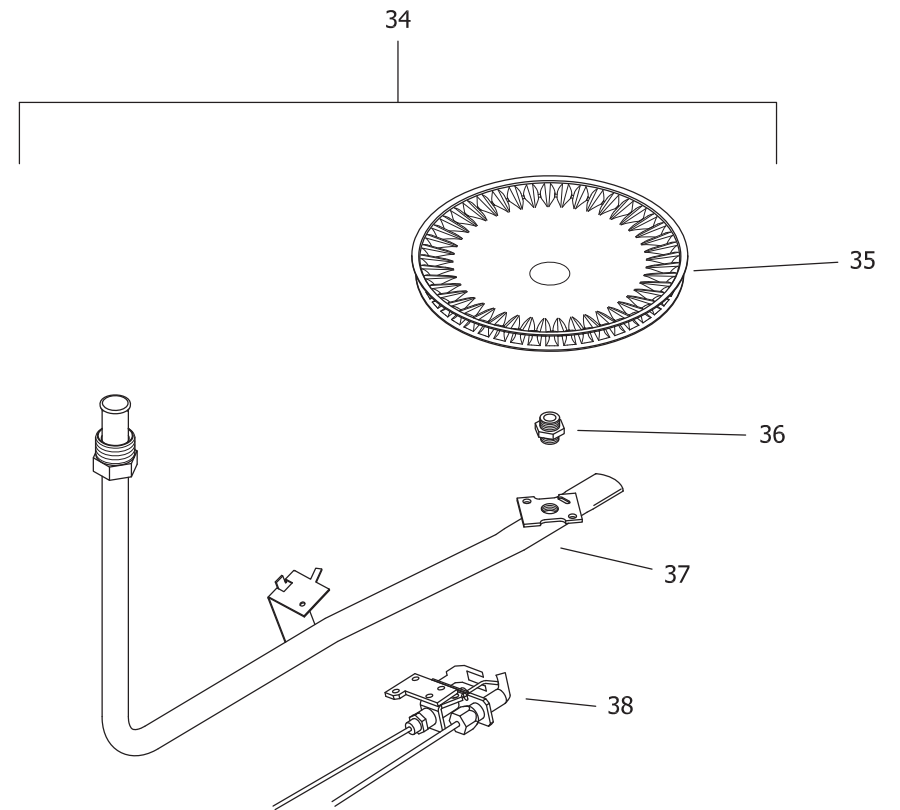
Anode may need to be cut to length

▲ Order with item 9

▲▲ Order with item 12



NATURAL GAS (BN) BURNER ASSEMBLY



LP GAS (SX) BURNER ASSEMBLY

LP GAS (SX) BURNER ASSEMBLY TO REPLACE LP GAS (CX) BURNER ASSEMBLY

Item Description	Model	Model
	RG2PV40S*(N,X)19	RG2PV50S*(N,X)19
<u>Natural Gas Burner Assembly</u>		
29 Nat Gas Burner Assembly Complete***	265-47439-09-32	265-47439-09-32
30 Nat. Gas (N) Burner**	228-42506-00	228-42506-00
31 Nat. Gas (N) Main Burner Orifice 0 Ft. to 2,000 Ft. **	234-41034-32	234-41034-32
Nat. Gas (N) High Altitude 0 to 7000 Ft. (-475 model suffixes) **	234-41034-36	234-41034-36
Nat. Gas (N) High Altitude Kit (7,001 Ft. to 10,000 Ft.)	265-51380-04-40	265-51380-04-40
32 Nat. Gas Feedline	233-47431-04	233-47431-04
33 Nat. Gas Pilot Assembly**	233-45653-05	233-45653-05
<u>LP Gas Burner Assembly</u>		
34 LP Gas Burner Assembly Complete***	265-47440-09-50	265-47440-15-50
35 LP Gas (X) Burner**	228-46964-00	228-46964-00
36 LP Gas (X) Main Burner Orifice 0 Ft. to 2,000 Ft. **	234-47064-50	234-47064-50
LP Gas (X) High Altitude Orifice 0 Ft. to 7000 Ft. (-475 model suffixes) **	234-47064-52	234-47064-52
LP Gas (X) High Altitude Orifice Kit 7,001 Ft. to 10,000 Ft.	265-51433-06-53	265-51433-06-53
37 LP Feedline	233-47432-03	233-47432-03
38 LP Gas Pilot Assembly**	233-45653-04	233-45653-04
LP to Nat. Gas Conversion Kit (Norm Alt.) 0 Ft. to 2,000 Ft.	265-46493-68	265-46493-87
LP to Nat. Gas Conversion Kit (High Alt.) 0 Ft. to 7,000 Ft. (-475 model suffixes)	265-46493-109	265-46493-72

*Applies to all warranties.

**Inner door gasket kit recommended.

***Ordering a complete burner assembly may increase delivery time. Please order the specific component required for the quickest delivery.



BRADFORD WHITE®

W A T E R H E A T E R S

Ambler, PA

For U.S. and Canada field service,
contact your professional installer or
local Bradford White sales representative.

Sales/800-523-2931

Technical Support/800-334-3393
Email/techserv@bradfordwhite.com

Warranty/800-531-2111
Email/warranty@bradfordwhite.com

Service Parts/800-538-2020
Email/Parts@bradfordwhite.com

International:
international@bradfordwhite.com



BRADFORD WHITE®

CANADA

Halton Hills, Ontario, Canada

Sales & Technical Support/866-690-0961
905-203-0600

Fax/905-636-0666

Email

Warranty/bwccwarranty@bradfordwhite.com
Technical Support/BWCCTech@bradfordwhite.com
Parts/orders@bradfordwhitecanada.com
Orders/ca.orders@bradfordwhite.com

www.bradfordwhite.com