

# Type R632E Integral Two psig Service Regulator

## Introduction

The Type R632E is an Underwriters Laboratories (UL®) listed regulator designed for Two psig Service LP-Gas systems. The unit is designed to reduce the tank pressure through an integral two psig service system to 2 psig / 0.14 bar. The first-stage screened drip-lip vent is oriented downward and the second-stage vent is oriented over the outlet as standard.

## Features

- 20-Year Recommended Replacement Life** – The Type R632E is designed using rugged time proven design concepts with enhancements to the corrosion resistance and durability of materials, both internally and externally. With proper installation and periodic inspection and maintenance the Type R632E design has a 20-Year Recommended Replacement Life. In some environmental conditions earlier replacement may be required.
- Improved Regulations** – Fisher®'s large molded fabric reinforced diaphragm and spring assisted vent stabilizer deliver accurate, stable regulation.
- Superior Overpressure Protection** – The combination of a high capacity relief valve and large vent provide overpressure protection which exceeds UL standards.
- Easy System Checks** – Intermediate and outlet 1/8 inch NPT inlet and outlet gauge taps orificed to a number 54 drill size for easy gas system checks.
- Corrosion-Resistant** – Added corrosion resistance with an internal and external coating process for all castings prior to painting, stainless steel relief valve spring and retainer and a non-corrosive relief valve seat.
- Positive Drainage** – When installed properly with the spring case pointed down the Fisher Positive Drainage design allows any moisture formed in the spring case to drain out eliminating the problems with corrosion and freezing of the water in the spring case.

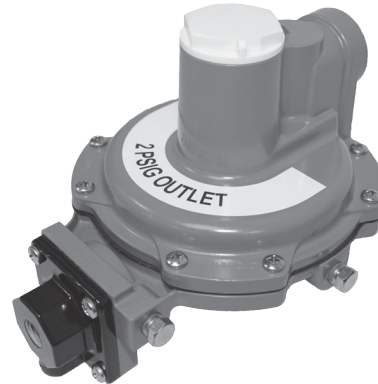


Figure 1. Type R632E Integral Two psig Service Regulator

Table 1. Selected Capacities for Type R632E Integral Two psig Service Regulators

OUTLET PRESSURE SETTING, SPRING RANGE	INLET PRESSURE		CAPACITIES IN THOUSANDS BTU/HR PROPANE <sup>(1)</sup>	
	psig	bar	1/2 Outlet	3/4 Outlet
2 psig / 0.14 bar setting, 1 to 2.2 psig / 0.07 to 0.15 bar spring range	25	1.72	800	820
	30	2.07	850	850
	100	6.90	1480	1500
	250	17.2	1900	1920

1. Capacities are based on 20% droop.



# Bulletin LP-7: R632E

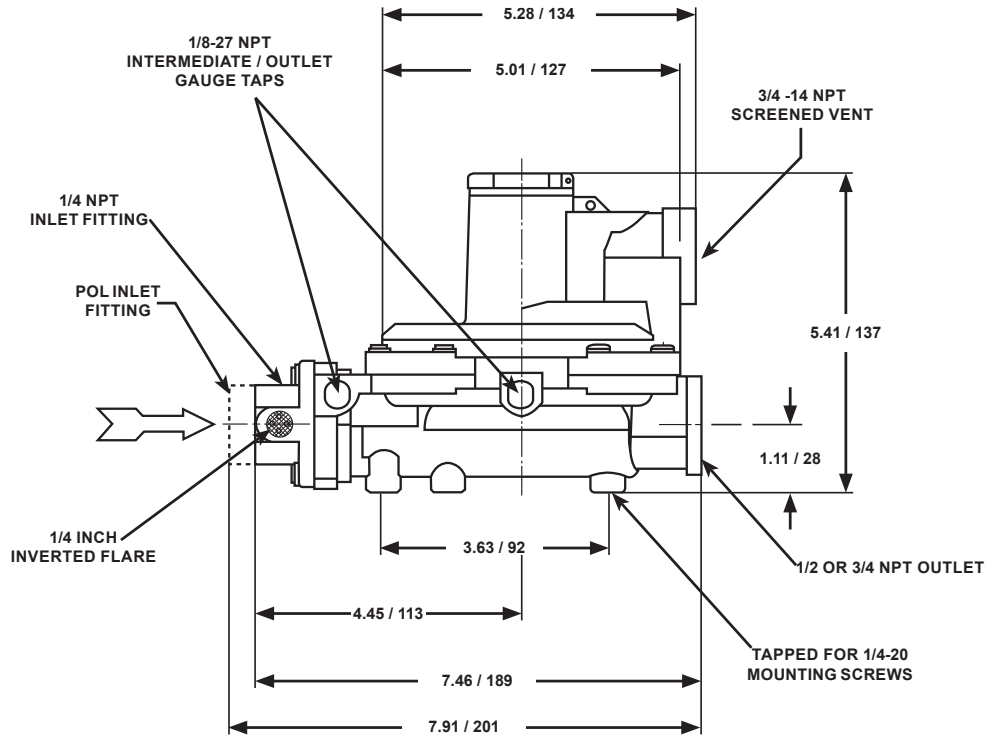


Figure 2. Type R632E Dimensions in Inches / mm

Table 2. Ordering Information

TYPE NUMBER	CAPACITY BTU/HR PROPANE <sup>(1)</sup>	CONNECTIONS INLET X OUTLET	OUTLET ADJUSTMENT SETTING	OUTLET PRESSURE RANGE
R632E-BCH	850,000	1/4 inch x 1/2 inch FNPT	2 psig / 0.14 bar	1 to 2.2 psig / 0.07 to 0.15 bar
R632E-HCH	900,000	FPOL x 1/2 inch FNPT		
R632E-CFH	850,000	1/4 inch x 3/4 inch FNPT		
R632E-JFH		FPOL x 3/4 inch FNPT		

1. Capacities are based on 30 psig / 2.1 bar inlet pressure and 20% droop.

## LP-Gas Equipment

### Emerson Process Management Regulator Technologies, Inc.

USA - Headquarters  
 McKinney, Texas 75069-1872, USA  
 Tel: +1 800 558 5853  
 Outside U.S. +1 972 548 3574

For further information visit [www.fisherregulators.com](http://www.fisherregulators.com)

The Emerson logo is a trademark and service mark of Emerson Electric Co. All other marks are the property of their prospective owners. Fisher is a mark owned by Fisher Controls International LLC, a business of Emerson Process Management.

The contents of this publication are presented for informational purposes only, and while every effort has been made to ensure their accuracy, they are not to be construed as warranties or guarantees, express or implied, regarding the products or services described herein or their use or applicability. We reserve the right to modify or improve the designs or specifications of such products at any time without notice.

Emerson Process Management Regulator Technologies, Inc. does not assume responsibility for the selection, use or maintenance of any product. Responsibility for proper selection, use and maintenance of any Emerson Process Management Regulator Technologies, Inc. product remains solely with the purchaser.