



# Series DE™

## Residential Gas Boilers



- 1** Boiler Reset Control with Circulator Relay and Low Water Cut-off
- 2** Temperature-Pressure Gage
- 3** Insulated Jacket
- 4** Fan assisted for chimney or direct venting

### Series DE™ Boiler Features

- Gas-fired Boiler for Natural or LP Gas
- Residential Cast Iron Boiler for Hot Water Heating Systems
- 4 Sizes Available; Fully Packaged and Ready to Install
- Cast Iron Sections—Factory Tested and Assembled with Steel Push Nipples
- Two Venting Options—Direct Exhaust (“Through-the-Wall”) or Chimney Venting
- Deluxe Powder Coated Steel Jacket—Reduces Boiler Heat Loss
- Safety Controls—Flame Rollout Shut-off Switch and Differential Pressure Switch

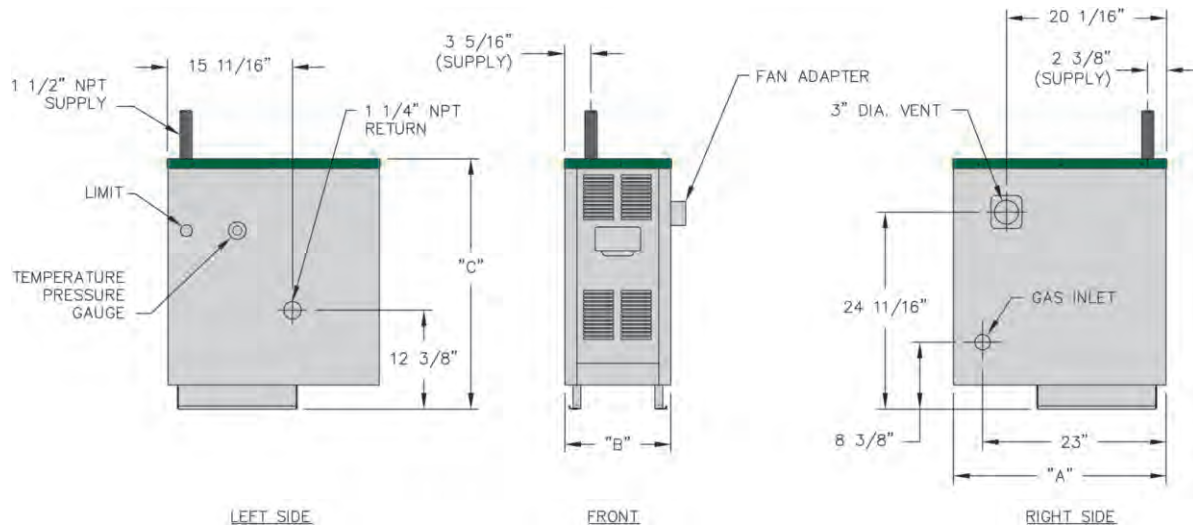
### Standard Equipment

- > Dependable Spark Ignition System
- > Boiler Reset Control with Low Water Cut-off for Increased Efficiency and Safety
- > Taco Circulator
- > 30 PSI Safety Relief Valve
- > Drain Valve
- > Induced Draft Fan

**All residential cast iron boilers include a full one-year warranty. A limited, lifetime warranty is provided for the cast iron sections of Peerless® residential hot water boilers. Visit PeerlessBoilers.com for complete details.**



# Technical Information



## Boiler Dimensions

Boiler Model Number	Jacket Depth "A"	Jacket Width "B"	Jacket Height "C"
DE-03	26-5/8"	12-1/2"	31-3/8"
DE-04		15-7/8"	
DE-05		19-1/4"	
DE-06		22-5/8"	

## Crated Dimensions & Shipping Weights

Boiler Model Number	Depth WPC	Width WPC	Height WPC	Approximate Shipping Weight (lbs.)
DE-03	30-7/8"	28-1/2"	36-1/2"	325
DE-04		28-1/2"		395
DE-05		35-1/2"		465
DE-06		35-1/2"		535

## Boiler Ratings

Series DE™					Water Content, gal
Boiler Model Number	Input, MBH	Heating Capacity <sup>3</sup> , MBH	Net Ratings Water <sup>1,2</sup> , MBH	AFUE <sup>3</sup> , %	
DE-03	70	58	50	82.1	4.72
DE-04	105	87	76	82.0	6.00
DE-05	140	116	101	82.0	7.28
DE-06	165	136	118	82.0	8.56

1 Net water ratings based on an allowance of 1.15.

2 Consult factory before selecting a boiler for installations having unusual piping and pickup requirements, such as intermittent system operation, extensive piping systems, etc.

3 Heating Capacity and Annual Fuel Utilization Efficiency (AFUE) ratings are based on U.S. Government test.



PeerlessBoilers.com



Printed on Recycled Paper

PeerlessBoilers.com

CUT-DE R2 (1/16-3M)

Printed in U.S.A.

©2016 PB Heat, LLC. All rights reserved.