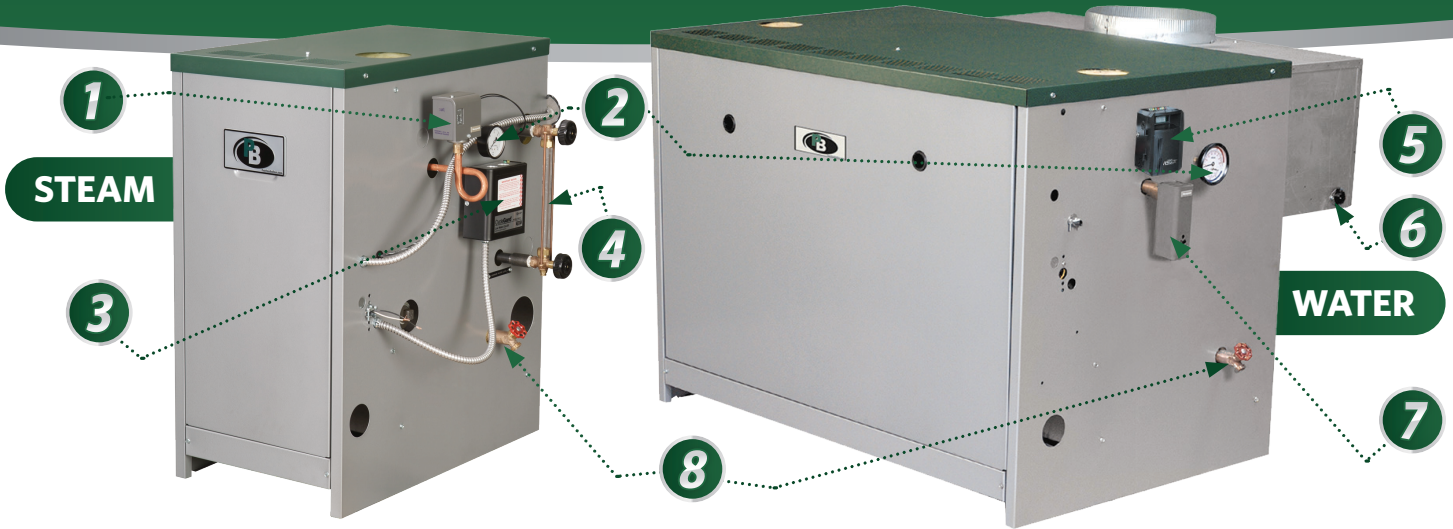


Peerless® Boilers



PeerlessBoilers.com

Series 63™ & Series 64™ Residential/Semi-Commercial Gas Boilers



Series 63™ & Series 64™ Boiler Features

- ✓ **13 Sizes** - Residential and Commercial for Natural or LP Gas
- ✓ **Packaged or Knockdown Steam Boilers**
Hot Water Knockdown Only* *Series 64
- ✓ **Cast Iron Sections** - Factory Tested & Assembled (3-5 sections) or Split-Assembled (6-12 sections)
- ✓ **Natural Draft Chimney Venting**
- ✓ **Low Profile Design**
- ✓ **Spark Ignition**
- ✓ **Large Water Content** - Ideal for Steam and Large Volume Hot Water Applications
- ✓ **Skim Tapping for Cleaning Steam Boilers**
- ✓ **Steel Push Nipples**
- ✓ **Slide-in, Pre-assembled Burner Tray**

Standard Equipment

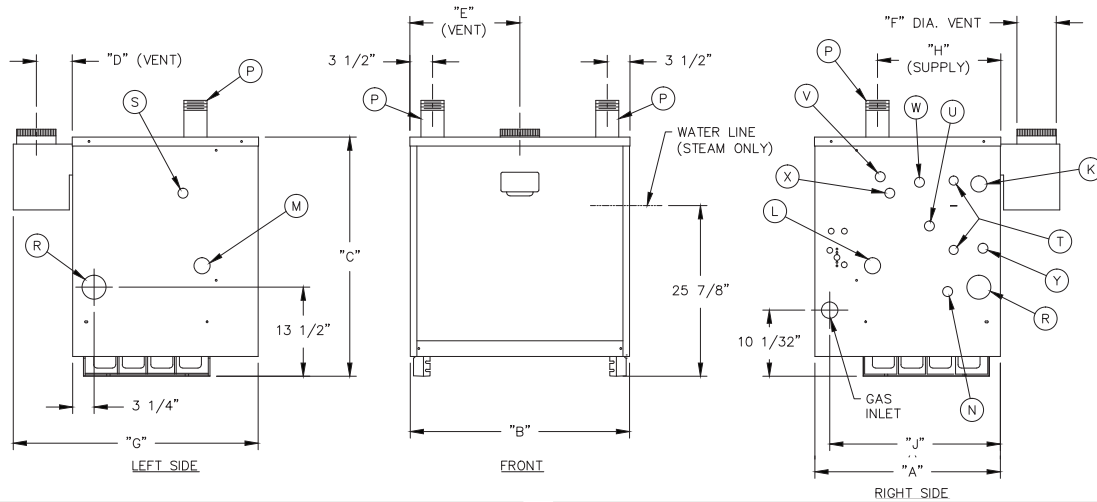
- | | | | | | |
|------------|---|--------------|---|--------------|---|
| ALL | <ul style="list-style-type: none">✓ Temperature/Pressure Gauge ②✓ Standard Safety Controls
Including Flame Rollout Shut-off Switch and Vent Safety Switch ⑥✓ Drain Valve ⑧✓ Pre-assembled Wiring Harness | STEAM | <ul style="list-style-type: none">✓ Pressure Control ①✓ Probe LWCO
Float Optional ③✓ Gauge Glass ④ | WATER | <ul style="list-style-type: none">✓ Boiler Reset Control
with Circulator Relay and Low Water Cut-off ⑤✓ Manual Reset Control
64-09 to 64-12 models ⑦ |
|------------|---|--------------|---|--------------|---|

PeerlessBoilers.com

LIFETIME WARRANTY

All residential cast iron boilers include a full one-year warranty. A limited, lifetime warranty is provided for the cast iron sections of Peerless® residential hot water boilers. A limited, ten-year warranty is provided on the cast iron sections of residential steam boilers. Visit PeerlessBoilers.com for complete details.

Technical Information



BOILER DIMENSIONS

*63-03L thru 63-06 models are certified in USA for use with optional tapered vent reducer (provided). See Venting Section.

Boiler Model Number	Jacket Depth "A"	Jacket Width "B"	Jacket Height "C"	Rear of Jkt. to c/l of Vent "D"	Left of Jkt. to c/l of Vent "E"	Vent Size Dia. "F"	Overall Depth "G"	Rear of Jkt. to c/l of Supply "H"	Rear of Jkt. to c/l of Gas Inlet "J"
63-03L	28-1/8"	16-1/8"	36-3/8"	5-5/8"	8-1/16"	6" or 5"	37-1/4"	18-11/16"	25-7/8"
63-03	28-1/8"	16-1/8"	36-3/8"	5-5/8"	8-1/16"	6" or 5"	37-1/4"	18-11/16"	25-7/8"
63-04L	28-1/8"	20-3/8"	36-3/8"	5-1/8"	10-3/16"	7" or 6"	37-1/4"	18-11/16"	25-7/8"
63-04	28-1/8"	20-3/8"	36-3/8"	5-1/8"	10-3/16"	7" or 6"	37-1/4"	18-11/16"	25-7/8"
63-05L	28-1/8"	24-5/8"	36-3/8"	6-5/8"	12-5/16"	8" or 7"	39-1/4"	18-11/16"	25-7/8"
63-05	28-1/8"	24-5/8"	36-3/8"	6-5/8"	12-5/16"	8" or 7"	39-1/4"	18-11/16"	25-7/8"
63-06	28-1/8"	28-7/8"	36-3/8"	6-1/8"	14-7/16"	9" or 8"	39-1/4"	18-11/16"	25-7/8"
64-07	28-1/8"	33-1/8"	36-3/8"	6-1/8"	16-9/16"	9"	39-1/4"	18-11/16"	25-7/8"
64-08	30-1/8"	37-3/8"	36-3/8"	7-1/2"	18-11/16"	10"	43-1/8"	18-15/16"	26-1/8"
64-09	30-1/8"	41-5/8"	36-3/8"	7-1/2"	20-13/16"	10"	43-1/8"	18-15/16"	26-1/8"
64-10	30-1/8"	45-7/8"	36-3/8"	8-1/2"	22-15/16"	12"	45-1/8"	18-15/16"	26-1/8"
64-11	30-1/8"	50-1/8"	36-3/8"	8-1/2"	25-1/16"	12"	45-1/8"	18-15/16"	26-1/8"
64-12	30-1/8"	54-3/8"	36-3/8"	8-1/2"	27-3/16"	12"	45-1/8"	18-15/16"	26-1/8"

TAPPING LOCATIONS

¹For relief valve larger than 3/4", use "K" boiler skim tapping. Do not increase the pipe size between the boiler and the valve.

Location	Size NPT	Steam	Water
K	1-1/4"	Skim Tapping ¹	Skim Tapping ¹
L	1"	Tank Supply/Limit	N/A
M	1"	Tank Return	N/A
N	3/4"	Boiler Drain	Boiler Drain
P	3"	Supply	Supply
R	2-1/2"	Return	Return
S	3/4"	Safety Valve ²	Relief Valve ²
T	1/2"	Gauge Glass	N/A
U	3/4"	Primary Probe Low Water Cut-Off	N/A
V	3/4"	N/A or Primary Limit (9-12)	N/A or Secondary Limit (9-12)
W	3/4"	Press Gauge or Secondary Limit (9-12)	Press/Temp Gauge or Primary Limit (9-12)
X	3/4"	Primary Limit or Press Gauge (9-12)	Primary Limit or Temp/Press Gauge (9-12)
Y	3/4"	Secondary Probe Low Water Cut-Off	N/A

Series 63™ BOILER RATINGS



Boiler Model	Input MBH	Heating Capacity ²		Net Ratings ¹		AFUE ² , %	Water Content Steam, gal	Approx. Shipping Weight, lb
		Steam, MBH	Steam, sqft	Steam, MBH	Steam, sqft			
63-03L	88.5	74	233	56	83.0	9.3	465	
63-03	118.0	98	308	74	82.6	9.3	465	
63-04L	147.5	123	383	92	82.6	10.8	576	
63-04	177.0	147	458	110	82.4	10.8	576	
63-05L	206.5	171	533	128	82.3	12.4	700	
63-05	236.0	196	613	147	82.2	12.4	700	
63-06	287.5	238	746	179	82.0	13.9	812	

¹ Net Ratings are based on DOE Heating Capacity or Gross Output less an allowance for normal piping and pickup as determined by AHRI requirements. Water ratings are based on a piping and pickup factor of 1.15. Steam ratings are based on a piping and pickup factor of 1.33. Consult us before selecting a boiler for gravity hot water installations or for installations having unusual piping and pickup requirements such as exposed piping, night set-back, etc. Ratings shown are for elevations up to 2,000 feet. For elevations above 2,000 feet, ratings should be reduced at the rate of 4% for each 1,000 feet above sea level.

² Heating Capacity and Annual Fuel Utilization Efficiency (AFUE) ratings are based on U.S. Government tests. Before purchasing this appliance, read important information about its estimated annual energy consumption or energy efficiency rating that is available from your retailer.

³ Thermal efficiency, combustion efficiency and gross output are determined in accordance with ANSI/AHRI Standard 1500.

⁴AHRI Directory indicates inputs to nearest whole number.

Note: Series 64-e model information can be found on website (special order only)

Series 64™ BOILER RATINGS



Boiler Model	Input MBH	Gross Output ³			Net Ratings ¹		Thermal Efficiency ³ , %		Combustion Efficiency ³ , %		Water Content		Approx. Shipping Weight, lb
		Water, MBH	Steam, MBH	Steam, sqft	Steam, MBH	Water, MBH	Water	Steam	Water	Steam	Water, gal	Steam, gal	
64-07	345	279	274	858	206	243	81.0	79.4	83.0	82.5	22.8	15.5	945
64-08	399	323	318	996	239	281	81.0	79.6	83.0	82.5	25.2	17.0	1081
64-09	460	373	367	1146	275	324	81.0	79.7	83.0	82.5	27.6	18.6	1218
64-10	517.5 ⁴	419	413	1292	310	364	81.0	79.8	83.0	82.5	30.0	20.1	1354
64-11	575	466	459	1433	344	405	81.0	79.8	83.0	82.5	32.4	21.7	1490
64-12	632.5 ⁴	512	506	1583	380	445	81.0	79.9	83.0	82.4	34.8	23.2	1527



PeerlessBoilers.com

CUT-63/64 R8 (4/24 - 15M)
Printed in U.S.A.
© 2024 PB Heat LLC. All rights reserved.