

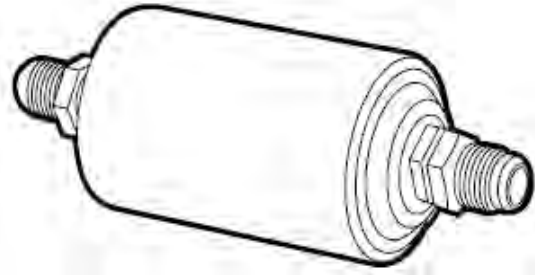
PARKER STEEL LIQUID LINE FILTER DRIERS (LLD SERIES)

KEY FEATURES AND BENEFITS

- High moisture and acid capacity. Maximum filtration capacity.
- Exceptional compatibility with new polyolester oils.
- Compatible with all existing and new refrigerants and blends including 134a, 401A/B, 402A/B, 404A, 407A/B/C, 410A, 502, 507A.
- Spring loaded 100% molecular sieve. For 410A, Parker recommends XH11 (consult Parker).
- Solid copper sweat fittings.
- Powder paint exterior coating surpasses 500 hour ASTM salt spray test and resists corrosion.
- Eliminates concern of additive stripping.
- 032 MF liquid line drier features 1/4inch SAE steel flare male inlet and 1/4 inch SAE steel female flare outlet. Consult Parker for other sizes.
- 500 psig design pressure (600 psig available on all models designed for R-410A applications with XH11 desiccant).

- Extended copper ends available (select models).
- Available with other desiccant combinations including charcoal and activated alumina (consult Parker).
- Various inlet/outlet fitting combinations available.
- U.L. listed SA3441, CSA certified LR46423.

P4112



NOTE: For R-410A applications, Parker recommends XH11 desiccant. See pages 9-11 for R-410A drier information.

Steel Liquid Line Driers — Water Drop Capacity at ARI Conditions

Model Series	R-12 (15 ppm) 75° F/ 125° F	R-22 (60 ppm) 75° F/ 125° F	R-134a (150 ppm) 75° F/125° F	R-401A/B (60 ppm) 75° F/125° F	R-401C (60 ppm) 75° F/ 125° F	R-402A/B (60 ppm) 75° F/ 125° F	R-404A (50 ppm) 75° F/ 125° F	R-407A/B (50 ppm) 75° F/ 125° F	R-407C (50 ppm) 75° F/ 125° F	R-410A* (50 ppm) 75°F/ 125° F	R-502 (30 ppm) 75°F/ 125°F	R-507A (50 ppm) 75° F/ 125° F
030	79/76	71/66	78/74	76/69	74/68	77/70	78/73	51/46	55/49	42/37	73/68	78/73
050	162/157	147/135	160/153	157/142	153/141	159/144	160/150	105/95	112/101	86/77	149/141	161/151
080	245/237	222/205	243/231	237/215	231/213	241/218	241/227	159/144	170/153	131/117	226/213	244/228
160	476/461	430/398	471/448	461/418	448/413	467/423	468/441	309/280	330/297	254/226	438/413	473/443
300	835/808	755/698	826/786	808/733	786/724	819/742	822/773	543/491	579/521	446/397	769/724	830/777
410	1164/1127	1053/ 973	1151/1096	1127/1022	1096/1010	1142/1034	1145/1078	757/684	806/726	622/554	1071/1010	1158/1084
750	1776/1720	1607/1485	1757/1673	1720/1560	1673/1541	1743/1579	1748/1645	1156/1044	1231/1109	949/846	1635/1541	1767/1654

*See Parker RAC-1 catalog pages 9-11 for R-410A specific driers and applications.

Refrigerant Holding Capacities for Steel Liquid Line Driers (in oz. of refrigerant @ 100° F)

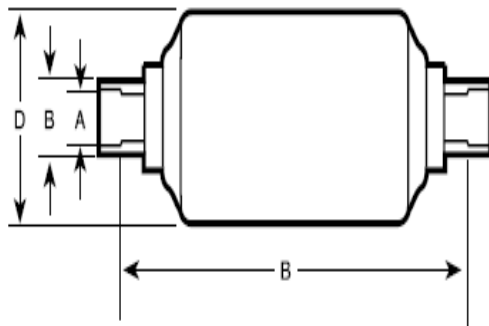
Model Series	R-12	R-22	R-134a	R-401A/B	R-401C	R-402A	R-402B	R-404A	R-407A	R-407B	R-407C	R-410A	R-502	R-507A
030	1.92	1.74	1.76	1.71	1.51	1.59	1.42	1.49	1.64	1.46	1.45	1.52	1.76	1.50
050	5.60	5.07	5.13	4.99	4.39	4.62	4.31	4.35	4.78	4.44	4.38	4.42	5.12	4.35
080	7.97	7.21	7.30	7.10	6.24	6.58	6.10	6.18	6.81	6.27	6.20	6.28	7.28	6.19
160	8.87	8.02	8.12	7.89	6.94	7.31	6.28	6.88	7.57	6.46	6.38	6.99	8.10	6.89
300	26.73	24.17	24.47	23.79	20.92	22.04	20.43	20.73	22.82	21.01	20.75	21.07	24.42	20.77
410	37.33	33.75	34.17	33.22	29.21	30.78	28.53	28.95	31.86	29.34	28.98	29.42	34.10	29.00
750	71.32	64.48	65.29	63.47	55.81	58.81	55.62	55.31	60.88	57.20	56.49	56.21	65.15	55.41

Compressors, Chillers, Condensers
 Motors
 Electrical
 Heating Components
 Indoor Air Quality
 Thermostats
 Oils & Chemicals
 Accessories, Supplies & Commodities
 Tools & Instruments
 Refrigeration

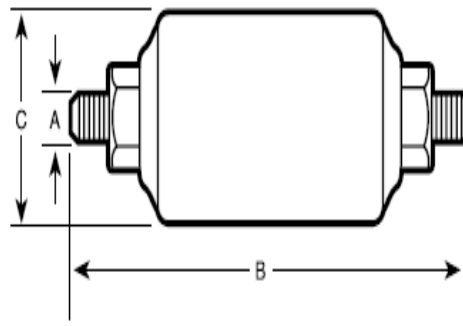
PARKER STEEL LIQUID LINE FILTER DRIERS (LLD SERIES)

STEEL LIQUID LINE DRIER DIMENSIONS

PART NO.	MODEL NO.	CONNECTIONS		SYSTEM CUTOUT LENGTH (C)	DIAMETER (D) (in.)	OVERALL LENGTH (in.)	PART NO.	MODEL NO.	SAE FLARE (A)	SYSTEM CUTOUT LENGTH (B) (in.)	DIAMETER (C) (in.)
		I.D. (A)	O.D. (B)								
033000-0329	032S	1/4	3/8	2-9/16	1-11/16	3.77	033000-032	032	1/4	4-1/8	1-11/16
033000-0529	052S	1/4	3/8	3-1/4	2-1/2	4.39	033000-052	052	1/4	4-3/4	2-1/2
033000-0525	0525S	5/16	7/16		4.39						
033000-0539	053S	3/8	1/2	4-1/8	2-1/2	4.39	033000-053	053	3/8	5-3/16	2-1/2
033000-0829	082S	1/4	3/8		2-1/2	5.27	033000-082	082	1/4	5-5/8	2-1/2
033000-0825	0825S	5/16	7/16	4-1/8		5.27					
033000-0839	083S	3/8	1/2		2-1/2	5.27	033000-083	083	3/8	6-1/16	2-1/2
033000-0849	084S	1/2	5/8	4-3/4	2-1/2	5.41	033000-084	084	1/2	6-5/16	2-1/2
033000-1629	162S	1/4	3/8		2-1/2	5.92	033000-162	162	1/4	6-5/16	2-1/2
033000-1625	1625S	5/16	7/16	4-3/4		5.92					
033000-1639	163S	3/8	1/2		2-1/2	5.92	033000-163	163	3/8	6-3/4	2-1/2
033070-1639	163S			7-3/4							
033000-1649	164S	1/2	5/8		2-1/2	6.06	033000-164	164	1/2	7	2-1/2
033000-1659	165S	5/8	3/4	7-3/4	2-1/2	6.3	033000-165	165	5/8	7-1/4	2-1/2
033000-3039	303S	3/8	1/2		3	8.86	033000-303	303	3/8	9-11/16	3
033070-3039	303S			7-3/4							
033000-3049	304S	1/2	5/8		3	9	033000-304	304	1/2	9-15/16	3
033000-3059	305S	5/8	3/4	7-3/4	3	9.24	033000-305	305	5/8	10-3/16	3
033000-3079	307S	7/8	1		3	9.3					3
033000-4149	414S	1/2	5/8	7-3/4	3-1/2	9.19	033000-413	413	3/8	9-7/8	3-1/2
033000-4159	415S	5/8	3/4		3-1/2	9.43	033000-414	414	1/2	10-1/8	3-1/2
033000-4179	417S	7/8	1	13-9/16	3-1/2	9.49	033000-415	415	5/8	10-3/8	3-1/2
033000-7569	756S	3/4	7/8		3-1/2	15.11					
033000-7579	757S	7/8	1	13-9/16	3-1/2	15.11					
033000-7599	759S	1-1/8	1-1/4		3-1/2	15.99					



P4113



PARKER STEEL LIQUID LINE FILTER DRIERS (LLD SERIES)

PART NO	MODEL NO	FILTER AREA	R-12	R-22	R-134a	R-401A	R-401B	R-401C	R-402A	R-402B	R-404A	R-407A	R-407B	R-407C	R-410A	R-502	R-507A
033000-032	032	10	1.27	1.70	1.54	1.74	1.75	1.55	1.14	1.34	1.10	1.48	1.19	1.64	1.67	1.11	1.10
033000-0329	032S	10	1.41	1.84	1.72	1.93	1.95	1.72	1.27	1.48	1.22	1.65	1.32	1.82	1.86	1.23	1.23
033000-052	052	17	1.41	1.84	1.72	1.93	1.95	1.72	1.27	1.48	1.22	1.65	1.32	1.82	1.86	1.23	1.23
033000-0529	052S	17	1.48	2.05	1.80	2.03	2.04	1.80	1.34	1.56	1.29	1.73	1.39	1.91	1.95	1.29	1.29
033000-0525	0525S	17	2.47	3.32	3.00	3.38	3.40	3.01	2.23	2.60	2.14	2.88	2.31	3.19	3.25	2.15	2.15
033000-053	053	17	2.97	3.96	3.60	4.06	4.08	3.61	2.67	3.12	2.57	3.46	2.78	3.83	3.90	2.58	2.57
033000-0539	053S	17	3.54	4.74	4.29	4.83	4.86	4.30	3.18	3.71	3.06	4.12	3.31	4.56	4.64	3.07	3.06
033000-082	082	27	1.41	1.84	1.72	1.93	1.95	1.72	1.27	1.48	1.22	1.65	1.32	1.82	1.86	1.23	1.23
033000-0829	082S	27	1.56	2.12	1.89	2.13	2.14	1.89	1.40	1.63	1.35	1.81	1.46	2.01	2.04	1.35	1.35
033000-0825	0825S	27	2.62	3.46	3.17	3.58	3.60	3.18	2.35	2.74	2.27	3.05	2.45	3.37	3.43	2.27	2.27
033000-083	083	27	3.32	4.45	4.03	4.54	4.57	4.04	2.99	3.49	2.88	3.87	3.11	4.28	4.36	2.89	2.88
033000-0839	083S	27	3.75	5.02	4.54	5.12	5.15	4.55	3.37	3.93	3.25	4.37	3.51	4.83	4.92	3.26	3.25
033000-084	084	27	5.30	7.14	6.43	7.25	7.29	6.44	4.77	5.56	4.59	6.18	4.96	6.84	6.96	4.61	4.60
033000-0849	084S	27	5.37	7.21	6.52	7.35	7.39	6.53	4.83	5.64	4.65	6.26	5.03	6.93	7.05	4.67	4.66
033000-162	162	34	1.63	2.19	1.97	2.22	2.24	1.98	1.46	1.71	1.41	1.89	1.52	2.10	2.13	1.41	1.41
033000-1629	162S	34	1.77	2.40	2.14	2.42	2.43	2.15	1.59	1.85	1.53	2.06	1.65	2.28	2.32	1.54	1.53
033000-1625	1625S	34	3.04	4.03	3.69	4.16	4.18	3.69	2.74	3.19	2.63	3.54	2.84	3.92	3.99	2.64	2.64
033000-163	163	34	3.96	5.30	4.80	5.41	5.45	4.81	3.56	4.15	3.43	4.61	3.70	5.10	5.20	3.44	3.43
033000-1639	163S	34	4.38	5.94	5.32	5.99	6.03	5.33	3.94	4.60	3.80	5.11	4.10	5.65	5.75	3.81	3.80
033070-1639	163S (R-410A)	34	--	--	--	--	--	--	--	--	--	--	--	--	--	--	--
033000-164	164	34	6.72	9.05	8.15	9.18	9.24	8.16	6.04	7.05	5.82	7.83	6.28	8.66	8.81	5.84	5.82
033000-1649	164S	34	7.28	9.83	8.83	9.96	10.02	8.85	6.55	7.64	6.31	8.49	6.81	9.39	9.56	6.33	6.31
033000-165	165	34	9.40	12.58	11.40	12.86	12.94	11.43	8.46	9.87	8.15	10.96	8.80	12.12	12.34	8.17	8.15
033000-1659	165S	34	9.69	13.01	11.75	13.24	13.32	11.77	8.71	10.16	8.39	11.29	9.06	12.49	12.71	8.42	8.40
	166	34	11.03	14.78	13.38	15.08	15.17	13.40	9.92	11.57	9.55	12.85	10.32	14.22	14.47	9.59	9.56
033000-303	303	61	4.03	5.44	4.89	5.51	5.54	4.90	3.63	4.23	3.49	4.70	3.77	5.19	5.29	3.50	3.49
033000-3039	303S	61	4.60	6.15	5.57	6.28	6.32	5.59	4.13	4.82	3.98	5.35	4.30	5.92	6.03	3.99	3.98
033070-3039	303S (R-410A)	61	--	--	--	--	--	--	--	--	--	--	--	--	--	--	--
033000-304	304	61	7.99	10.75	9.69	10.92	10.99	9.71	7.19	8.38	6.92	9.31	7.47	10.30	10.48	6.94	6.93
033000-3049	304S	61	9.26	12.44	11.23	12.66	12.74	11.26	8.33	9.72	8.02	10.79	8.66	11.94	12.15	8.05	8.03
033000-305	305	61	10.96	14.71	13.29	14.98	15.07	13.32	9.86	11.50	9.49	12.77	10.25	14.13	14.38	9.52	9.50
033000-3059	305S	61	12.09	16.26	14.66	16.53	16.63	14.69	10.88	12.69	10.47	14.09	11.31	15.58	15.86	10.51	10.48
033000-3079	307S	61	14.99	20.15	18.18	20.49	20.62	18.22	13.48	15.73	12.98	17.46	14.02	19.32	19.67	13.03	13.00
033000-413	413	80	4.03	5.44	4.89	5.51	5.54	4.90	3.63	4.23	3.49	4.70	3.77	5.19	5.29	3.50	3.49
033000-414	414	80	8.06	10.82	9.78	11.02	11.09	9.80	7.25	8.46	6.98	9.39	7.54	10.39	10.58	7.01	6.99
033000-4149	414S	80	9.26	12.44	11.23	12.66	12.74	11.26	8.33	9.72	8.02	10.79	8.66	11.94	12.15	8.05	8.03
033000-415	415	80	10.96	14.71	13.29	14.98	15.07	13.32	9.86	11.50	9.49	12.77	10.25	14.13	14.38	9.52	9.50
033000-4159	415S	80	12.09	16.26	14.66	16.53	16.63	14.69	10.88	12.69	10.47	14.09	11.31	15.58	15.86	10.51	10.48
033000-4179	417S	80	17.18	23.12	20.84	23.49	23.63	20.88	15.46	18.03	14.88	20.02	16.07	22.15	22.54	14.93	14.90
033000-7569	756S	131	14.63	19.65	17.75	20.01	20.13	17.79	13.17	15.36	12.68	17.05	13.69	18.87	19.20	12.72	12.69
033000-7579	757S	131	18.17	24.32	22.04	24.84	24.99	22.08	16.35	19.07	15.74	21.17	17.00	23.42	23.84	15.79	15.75
033000-7599	759S	131	20.01	26.80	24.27	27.36	27.52	24.32	18.00	20.99	17.33	23.31	18.72	25.79	26.26	17.39	17.35

Compressors,
Chillers, Condensers

Motors

Electrical

Heating
Components

Indoor Air
Quality

Thermostats

Oils &
Chemicals

Accessories, Supplies
& Commodities

Tools &
Instruments

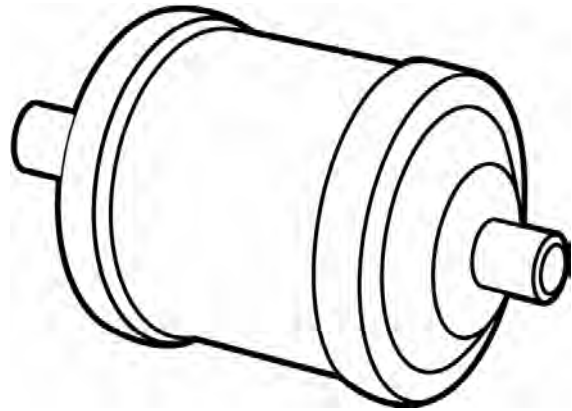
Refrigeration

PARKER BI-FLOW FILTER DRIERS — BF SERIES-M

The “BF” Series bi-flow drier is designed specifically for heat pump or reverse cycle application. External check valves are not required since they are incorporated within the filter drier shell. The core design filters out contaminant particles down to 25 microns.

KEY FEATURES AND BENEFITS

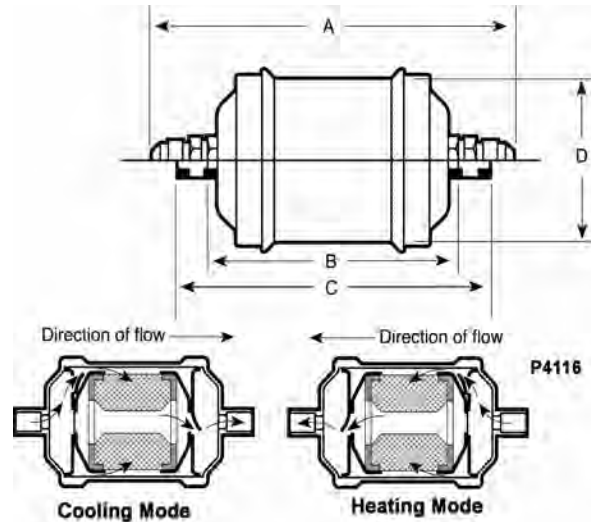
- 100% copper sweat or nickel plated flare fittings.
- Desiccant core provides reliable and effective removal of solid contaminants, acid and moisture.
- Core is cushioned in fiber gaskets to protect core and to insure trouble-free performance.
- Powder paint exterior coating surpasses 500 hour ASTM salt spray test and resists corrosion.
- U.L. listed file SA3441, CSA certified LR46423



P4115

Bi-Flow Driers — DIMENSIONS

MODEL		FITTING	SYSTEM CUTOUT LENGTH			
Flare	Sweat	SIZE (in.)	“A”	“B”	“C”	“D”
	BF082S	1/4		4.10	5.27	2.50
BF083	BF083S	3/8	6.09	4.10	5.27	2.50
BF084	BF084S	1/2	6.35	4.10	5.41	2.50
	BF162S	1/4		4.10	5.92	2.50
BF163	BF163S	3/8	6.75	4.75	5.92	2.50
BF164	BF164S	1/2	7.00	4.75	6.06	2.50
	BF165S	5/8		4.75	6.30	2.50



Refrigerant Holding Capacities for Bi-Flow Driers (in oz. of refrigerant @ 100° F)

MODEL SERIES	R-12	R-22	R-134a	R-401A	R-401B	R-401C	R-402A	R-402B	R-404A	R-407A	R-407B	R-407C	R-410A	R-502	R-507A
BF080	8.17	7.39	7.48	7.27	7.27	6.39	6.74	6.87	6.34	6.97	7.07	6.98	6.44	7.46	6.34
BF160	9.54	8.63	8.74	8.49	8.49	7.47	7.87	8.03	7.40	8.14	8.26	8.16	7.52	8.72	7.41

Bi-Flow Drier Water Crop Capacity at ARI Conditions

MODEL SERIES	R-12 (15 ppm) 75° F/125° F	R-22 (60 ppm) 75° F/125° F	R-134a (150 ppm) 75° F/125° F	R-401A/B (50 ppm) 75° F/125° F	R-401C (50 ppm) 75° F/125° F	R-402A (50 ppm) 75° F/125° F	R-402B (50 ppm) 75° F/125° F
BF080	105/102	95/88	104/ 99	102/ 92	99/91	103/ 93	103/ 93
BF160	148/144	134/124	147/140	144/130	140/129	146/132	146/132

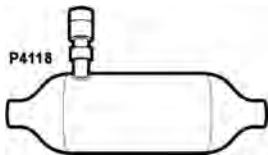
MODEL SERIES	R-404A (50 ppm) 75° F/125° F	R-407A (50 ppm) 75° F/125° F	R-407B (50 ppm) 75° F/125° F	R-407C (50 ppm) 75° F/125° F	R-410A (50 ppm) 75° F/125° F	R-502 (50 ppm) 75° F/125° F	R-507A (50 ppm) 75° F/125° F
BF080	103/97	68/62	68/62	73/65	56/50	97/91	104/98
BF160	146/137	97/87	97/87	103/93	79/71	137/129	148/138

PARKER BI-FLOW FILTER DRIERS — BF SERIES

PART NO	MODEL NO	FILTER AREA	R-12	R-22	R-134a	R-401A	R-401B	R-401C	R-402A	R-402B	R-404A	R-407A	R-407B	R-407C	R-410A	R-502	R-507A
031653-01	BF082S	10.4	1.6	2.1	1.9	2.2	2.2	1.9	1.4	1.7	1.4	1.9	1.5	2.0	2.1	1.4	1.4
031653-02	BF083S	10.4	2.1	2.8	2.6	2.9	2.9	2.6	1.9	2.2	1.8	2.5	2.0	2.7	2.8	1.8	1.8
031653-03	BF084S	10.4	2.7	3.5	3.2	3.6	3.6	3.2	2.4	2.8	2.3	3.1	2.5	3.4	3.5	2.3	2.3
031653-04	BF083	10.4	2.1	2.8	2.6	2.9	2.9	2.6	1.9	2.2	1.8	2.5	2.0	2.7	2.8	1.8	1.8
031653-09	BF084	10.4	2.7	3.5	3.2	3.6	3.6	3.2	2.4	2.8	2.3	3.1	2.5	3.4	3.5	2.3	2.3
031653-05	BF162S	14.4	1.6	2.1	1.9	2.2	2.2	1.9	1.4	1.7	1.4	1.9	1.5	2.0	2.1	1.4	1.4
031653-06	BF163S	14.4	2.2	2.9	2.6	3.0	3.0	2.6	2.0	2.3	1.9	2.5	2.0	2.8	2.9	1.9	1.9
031653-07	BF164S	14.4	2.7	3.5	3.2	3.6	3.6	3.2	2.4	2.8	2.3	3.1	2.5	3.4	3.5	2.3	2.3
031653-11	BF165S	14.4	3.7	4.9	4.5	5.1	5.1	4.5	3.3	3.9	3.2	4.3	3.5	4.8	4.9	3.2	3.2
031653-08	BF163	14.4	2.1	2.8	2.6	2.9	2.9	2.6	1.9	2.2	1.8	2.5	2.0	2.7	2.8	1.8	1.8
031653-10	BF164	14.4	2.7	3.5	3.2	3.6	3.6	3.2	2.4	2.8	2.3	3.1	2.5	3.4	3.5	2.3	2.3

PARKER COPPER SUCTION LINE DRIER (Cu SLD SERIES)

Copper Suction Line Dryer Data



- High-acid solid core design.
- Flow capacities from 1/6 through 2-1/2 tons.
- Access valve to check system pressure or charge through.
- Applications include refrigerators, freezers, ductless A/C and PTAC units.

NOTE: Model Cu SLD 5/16 is 100% XH6 molecular sieve. Models Cu SLD-3S & 4S are 50% molecular sieve and 50% activated alumina.

PART NO	DESCRIPTION	MAXIMUM FLOW RATE						SYSTEM OA LENGTH (in)	CUTOUT LENGTH (in)
		22/ 402	134a	401A/B	404A, 502, 507	407A/B	410A		
031589-00	CuSLD 5/16 Copper Solid Core Suction Line Dryer	1/3	1/4	1/4	1/3	1/3	1/2	5.31	4.63
032104-00	CuSLD-3S Copper Solid Core Suction Line Dryer	2-1/2	2	2	2	2-1/2	2-1/2	6.71	6.00
032104-01	CuSLD-4S Copper Solid Core Suction Line Dryer	2-1/2	2	2	1-1/2	2-1/2	2-1/2	6.71	6.00

Copper Suction Line Dryer Water Capacity in Drops at 75° F

PART NO	DESCRIPTION	FITTING TYPE & SIZE	R-12	R-22	R-134a	R-401A/B	R-401C	R-402A/B	R-404A	R-407A/B	R-407C	R-410A	R-502	R-507A
031589-00	CuSLD 5/16 Copper Solid Core Suction Line Dryer	5/16 Sweat	69.4	62.8	68.7	67.2	65.4	68.1	68.3	45.2	48.1	37.1	63.9	69
032104-00	CuSLD-3S Copper Solid Core Suction Line Dryer	3/8 Sweat	107.8	97.5	106.6	104.3	101.5	105.8	106	70.1	74.7	57.6	99.2	107.2
032104-01	CuSLD-4S Copper Solid Core Suction Line Dryer	1/2 Sweat	107.8	97.5	106.6	104.3	101.5	105.8	106	70.1	74.7	57.6	99.2	107.2