

Williamson

PMP 210 Series 2

Ratings

168,000 to 210,000 Btuh input
1.20 to 1.50 GPH #2 Fuel Oil



High Input Packaged Multi-Position Oil Furnace

- **Multi-position installation**
 - Up flow (High Boy)
 - Horizontal - left or right
- **Heat exchanger**
 - Front flue
 - Heavy gauge stainless steel primary heat exchanger
 - Tube style aluminized steel secondary heat exchanger with removable baffles
 - Large front access clean-out secured with studs and nuts
 - Spring-loaded observation port with test plug
- **Blower**
 - Multi-speed direct drive
 - Slide-out blower/motor – easily removed for service
- **Cabinet**
 - Appliance finish powder coat paint
 - Rugged heavy gauge construction
 - Foil-faced insulation for hand-cool surface
- **Burner and controls**
 - Factory-wired
 - PSC motor
 - Solid state ignitor



Williamson®

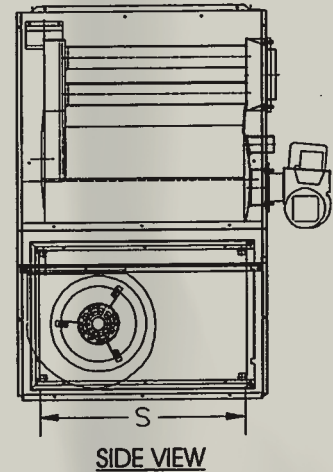
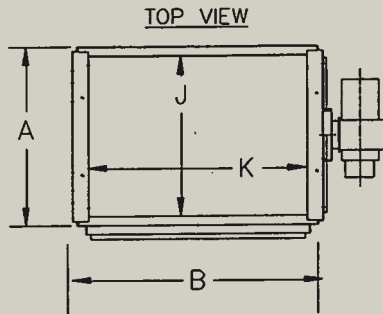
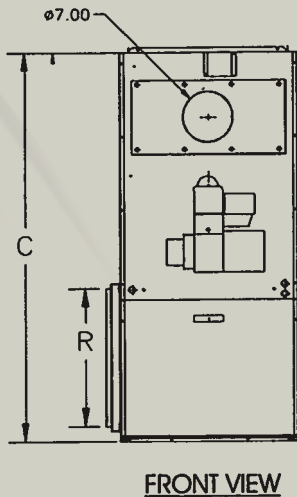
RATINGS

Model	Input	Output	Firing rate	Installed Nozzle	AFUE	Blower size	Blower motor hp	Maximum cooling capacity	Ship wt.	Blower CFM	
	(Btuh)	(Btuh)	(GPH)					(tons)	(pounds)	@ 0.25" WC	@ 0.50" WC
Direct-drive units											
PMP-210	168,000	142,000	1.20		84.6	GT12-10	3/4	5	250	2200	2150
	189,000	158,000	1.35		83.0	GT12-10	3/4	5	250	2200	2150
	210,000	175,000	1.50	x	83.2	GT12-10	3/4	5	250	2300	2150

NOTE: Filter size required: PMP-210 - (1) 20" x 30"

DIMENSIONS

ALL DIMENSIONS IN INCHES



Model	Furnace casing			Warm air supply		Return air		Flue pipe diam.
	Width A	Depth B	Height C	Width J	Depth K	Width R	Depth S	
PMP-210	24	34	53	22	30	18	28	7

Notes:

PMP furnaces are approved for 2" clearance to combustible construction. For horizontal installations when installing on combustible floor, provide noncombustible spacer. Refer to installation manual for details and proper installation.

EQUIPMENT

- Factory-assembled
- Heat exchanger pressure tested to assure leak-tight construction
- Heavy 14-gauge 430 stainless steel primary heat exchanger
- Aluminized steel secondary heat exchanger with flue collectors
- Rugged 20-gauge cabinet with powder coated finish
- Air conditioning fan center
- Controls mounted in blower compartment
- External filter rack provided
- Barometric damper provided
- High-efficiency flame retention burner (Beckett, Carlin, Riello)
- Optional two-stage fuel unit
- Dual spot limit controls

WARRANTY

Residential Use:

- Limited lifetime warranty on heat exchanger
- 5-year limited warranty on parts
- Optional 5- or 10-year parts and labor warranty

Commercial Use:

- 5-year limited warranty on heat exchanger
- 3-year limited warranty on other components
- Optional 5- or 10-year parts and labor warranty



Williamson®

N93 W14635 Whittaker Way, Menomonee Falls, WI 53051

www.williamson-thermoflo.com

Form No. W-109 (12/23)

