



# PHANTOM II<sup>®</sup>

**Stainless Steel,  
Gas Fired Condensing,  
Hot Water Boiler**



Introducing

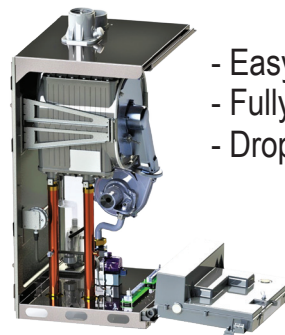
**Phantom  
Adaptive  
Technology**

## Adaptive Combustion Technology Features

- Field Convertible to LP
- Simple start up
- Rate based temperature reset – no outdoor sensor required
- Compatible with “PatConnect”  
*(requires app and optional bluetooth adapter)*

## STANDARD FEATURES INCLUDE

- 95% AFUE with 10:1 Turndown
- Four Sizes - 80,120,150,180 MBH Input
- 2” venting standard
- 5-year parts warranty
- Serviceability



- Easy access to key components
- Fully removable front & side panels
- Drop down control center

**Quality  
Value &  
Service**

# PHANTOM II

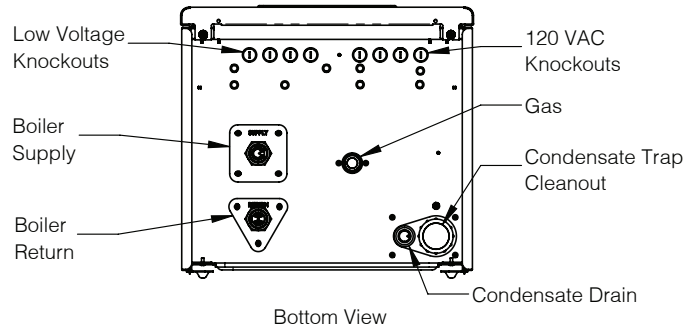
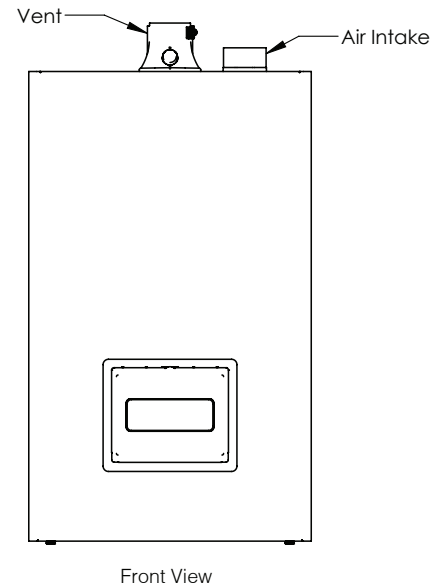
## TECHNICAL SPECIFICATIONS

### STANDARD EQUIPMENT

- Stainless steel heat exchanger
- Boiler Circulator (Shipped loose)
- Adaptive Combustion System
  - Burner-Blower-Gas Valve & Venturi assembly
  - Large key control pad with local user display
  - Built-in self-diagnostics
  - Rate based outdoor reset (no sensor required)
- Pre-installed hanging bracket and wall mount kit.
- Vent connection for CPVC/PVC, polypropylene vent
- Approved for installation 0-10.100 ft., natural or LP gas

### OPTIONAL EQUIPMENT

- CPVC/PVC vent kit
  - 2" Vent Kit (P/N 107039-01)
  - 3" Vent Kit (P/N 107039-02)
- LP Electrode Kit (P/N 111745-01) Required for installation above 2,001', Models PHTM2150H and PHTM2180H
- Heat Only Primary/Secondary Header (P/N 111884-01)



Space Heating Ratings						Dimensions and Connections					Shipping Weight (lbs)
Model	Input <sup>1</sup> (MBH)		DOE Heating Capacity (MBH)	AHRI Net Rating <sup>2</sup> (MBH)	AFUE	Depth (in)	Width (in)	Height (in)	Space Heating Water sweat, (in)	Gas NPT	
	Min	Max									
PHTM2080H	8 <sup>3</sup>	80	75	65	95.0	16.3	17.8	29.8	1	1/2	107
PHTM2120H	13.6	120	112	97	95.0	16.3	17.8	29.8	1	1/2	112
PHTM2150H	20	150	141	123	95.0	20.4	17.8	29.8	1	1/2	132
PHTM2180H	20	180	169	147	95.0	20.4	17.8	29.8	1	1/2	132

<sup>1</sup> Input for elevations up to 2,000 ft. with min vent length. See Table 3-3 for vent diameter connection sizes and derate at max vent length.

<sup>2</sup> Net AHRI Water Ratings shown are based on a piping and pickup allowance of 1.15. The manufacturer should be consulted before selecting a boiler for installations having unusual piping and pickup requirements, such as intermittent operation, extensive piping systems, etc.

<sup>3</sup> For altitudes above 2,000 ft., PHNTM2080H minimum input increased to 10 MBH.

