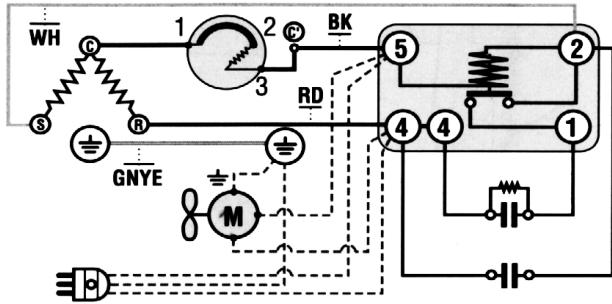


Wiring Diagram



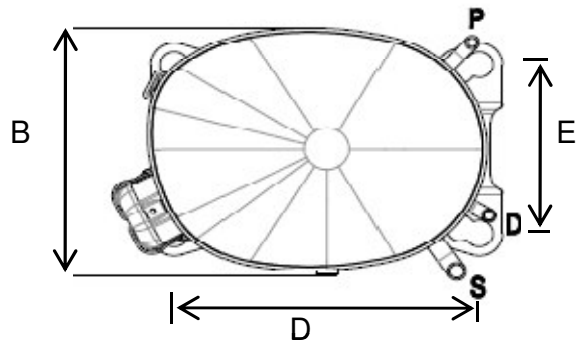
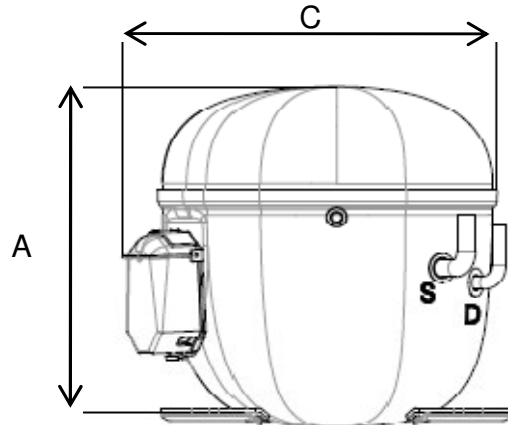
Compressor Terminals

- C = Common
- R = Run
- S = Start

Electrical components are supplied unassembled. Use of components other than specified will void warranty.

Dimensions (inches)

A:9.9" B: 7" C: 10" D: 8" E: 4.8"



Tube Diameter

| ID | Inch | MM |
|-----------|------|------|
| process | .253 | 6.42 |
| suction | .378 | 9.6 |
| discharge | .253 | 6.42 |

Technical Specifications

Rev 10/12

| Mechanical Data | English | Metric | Electrical Data | |
|-----------------|---------------|-----------|-----------------------------------|--------------|
| Bore | 1.5 in | 38.10 mm | motor: 2 pole - 1 phase | CSCR |
| Stroke | .96 in | 24.4 mm | voltage | 115v / 60 Hz |
| Displacement | 1.696 cu. In | 27.8 cc | voltage range | 103-127v |
| Speed | 3,500 rpm | 3,500 rpm | run winding resistance at 25°C | .32 Ω |
| Weight | 40.34 lb | 18.3 kg | start winding resistance at 25°C | 2.23 Ω |
| Oil Charge | 21.98 fl. oz. | 650 ml | locked rotor current | 93 amps |

Compressor Cooling:

Fan cooled by forced draft over shell with 6 watt minimum fan.

Restrictor:

Capillary tube or Expansion valve

Capacitor:

| | | |
|-----------|-------------|------|
| Start Cap | 340-408 mfd | 250v |
| Run Cap | 40 mfd | 250v |

| | | | | |
|---|------------------|------------|---|-------------|
| embraco | NT2212GKV | LBP | 115 V | 404A |
| Specifications Approximate H. P. 1 1/2 Starting Torque High Refrigerant 404A Evaporator Temperature Low Evaporator Temperature -40° to 14°F | | | Usage Drinking Water Coolers Dehumidifiers Ice Machines Reach In Refrigerators Beer Coolers | |

| LBP Performance ARI | | | | | |
|----------------------------|-------|--------------|-------|-------|-------|
| Temperature °F | -22 | -10 | -4 | 5 | 14 |
| Capacity BTU/Hr | 2,251 | 4,139 | 3,874 | 4,887 | 6,035 |
| Power W | 977 | 1,221 | 1,308 | 1,491 | 1,688 |
| Current Amps | 10.39 | 12.19 | 12.92 | 14.45 | 16.15 |
| Temperature °C | -30 | -23.3 | -20 | -15 | -10 |
| Capacity Kcal/Hr | 567 | 1,043 | 976 | 1,232 | 1,521 |

| LBP Rating | | ARI | | Rating Point (Bolded above) | HBP Rating | |
|-------------------|-------|--------------|--|--|-------------------|-------|
| Condensing | 130°F | 120°F | | | Condensing | 130°F |
| Evaporator | -10°F | -10°F | | | Evaporator | 45°F |
| Return Gas | 90°F | 40°F | | | Return Gas | 95°F |
| Ambient | 90°F | 95°F | | | Ambient | 95°F |
| Liquid Temp. | 90°F | 120°F | | | Liquid Temp. | 115°F |

| Material | Part number | Description | Compressor Cross Ref. | |
|-----------------|--------------------|--------------------|------------------------------|--------------|
| | | | Model | Appl. |
| Compressor | 925IG02 | | | |
| Relay | 1253065 | | | |
| Overload | Internal | | | |
| Start Cap | 2252374 | 340-408 mfd / 250v | | |
| Run Cap | 2253321 | 40 mfd / 250v | | |
| Grommet | 2221004 | | | |
| Sleeve | 2222016 | | | |

EMBRACO NORTH AMERICA, INC.
 2800 Vista Ridge Dr. Suite 100, Suwanee Ga, 30024 Phone: 678-804-1337