

**embraco**

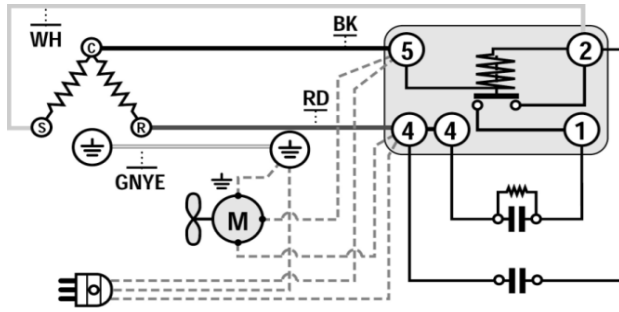
**NT2180GKV1**

**LBP**

**115V**

**404A**

**Wiring Diagram**



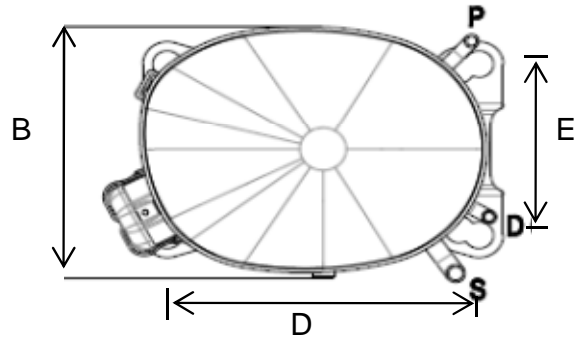
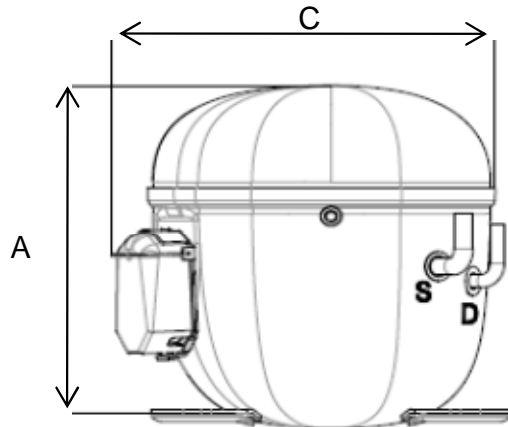
**Compressor Terminals**

- C = Common
- R = Run
- S = Start

Electrical components are supplied unassembled. Use of components other than specified will void warranty.

**Dimensions (inches)**

A: 8.7" B: 7" C: 10" D: 8" E: 4.8"



**Tube Diameter**

ID	Inch	MM
Process	.253-1/4	6.42
Suction	.378-3/8	9.6
Discharge	.253-1/4	6.42

**Technical Specifications**

Rev 12-2018

Mechanical Data	English	Metric	Electrical Data	
Bore	1.46 in	36.99 mm	Motor	CSR
Stroke	.75 in	19.03 mm	Voltage	115V/60 Hz
Displacement	1.247 cu. In	20.44 cc	Voltage range	103-127V
Speed	3,500 rpm	3,500 rpm	Run winding resistance at 25° C	.40 Ω
Weight	38.8 lb	17.6 kg	Start winding resistance at 25° C	2.60 Ω
Oil Charge	15.22 oz.	450 ml	Locked rotor current	66 amps
Oil Type	POE	ISO22	RLA: LBP-60Hz	13 amps

**Compressor Cooling:**


Fan cooled by forced draft over shell with 6 watt minimum fan.

**Restrictor:**

Capillary tube or Expansion valve

**Capacitor:**

Start Cap	243-292 mfd	250V
Run Cap	35 mfd	440V

	<b>NT2180GKV1</b>	<b>LBP</b>	<b>115V</b>	<b>404A</b>
<b>Specifications</b> Approximate H. P. 1 Starting Torque High Refrigerant 404A Evaporator Temperature Low Evaporator Temperature -40° to 14°F			<b>Usage</b> Freezers Cold rooms Ice Machines Reach Ins	

<b>LBP Performance</b>					
<b>Temperature °F</b>	-22	<b>-10</b>	-4	5	14
<b>Capacity BTU/Hr</b>	2,562	<b>3,822</b>	4,529	5,674	6,927
<b>Power W</b>	713	<b>863</b>	961	1,090	1,225
<b>Current Amps</b>	7.09	<b>8.31</b>	9.15	10.28	11.5
<b>Temperature °C</b>	-30	<b>-23.3</b>	-20	-15	-10
<b>Capacity Kcal/Hr</b>	646	<b>963</b>	1,141	1,430	1,745

<b>LBP Rating</b>	<b>ASHRAE</b>	<b>Rating Point (Bolded above)</b>	<b>HBP Rating</b>	<b>ASHRAE</b>
Condensing	130°F		Condensing	N/A
Evaporator	-10°F		Evaporator	N/A
Return Gas	90°F		Return Gas	N/A
Ambient	90°F		Ambient	N/A
Liquid Temp.	90°F		Liquid Temp.	N/A

<b>Material</b>	<b>Part number</b>	<b>Description</b>	<b>Compressor Cross Ref.</b>	
Compressor	922PG02	NT2180GKV	<b>Manufacturer</b>	<b>Model</b>
Relay	1253050-ESP	RVA9AD3C-121	Tecumseh	AJA2425ZXA
Overload	Internal		Copeland	RFT29C1E
Start Cap	2252331-ESP	243-292 mfd / 250V		
Run Cap	2253315-ESP	35 mfd / 440V		
*Electrical box	1272447			
Grommet	2221004			
Sleeve	2222016			

\*Contains relay, capacitors, wiring harness

**EMBRACO NORTH AMERICA, INC.**  
 1610 Satellite Blvd. Suite B, Duluth Ga, 30097 Phone: 678-805-3074