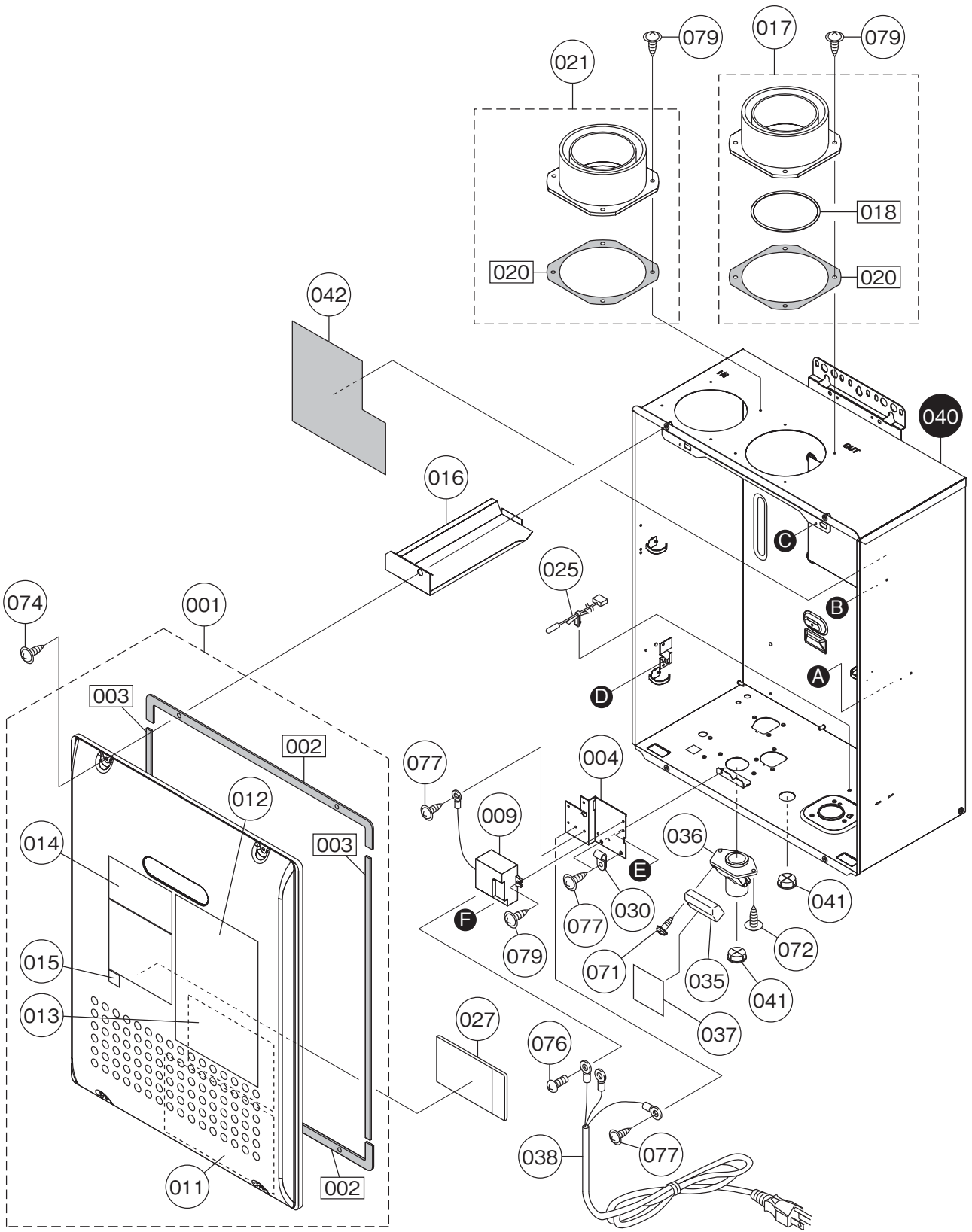
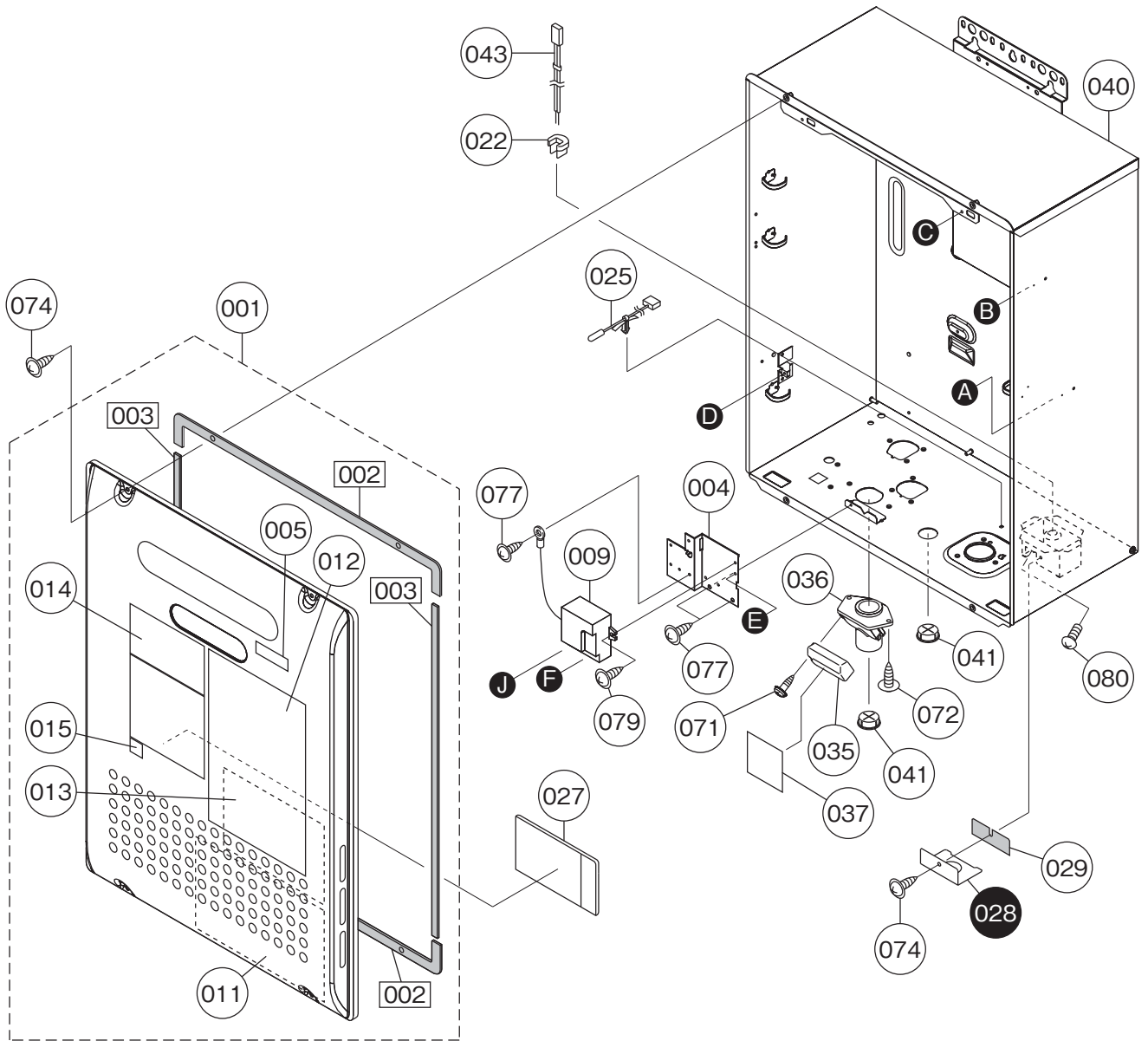


External outfitting NRC98-DV,NRC83-DV



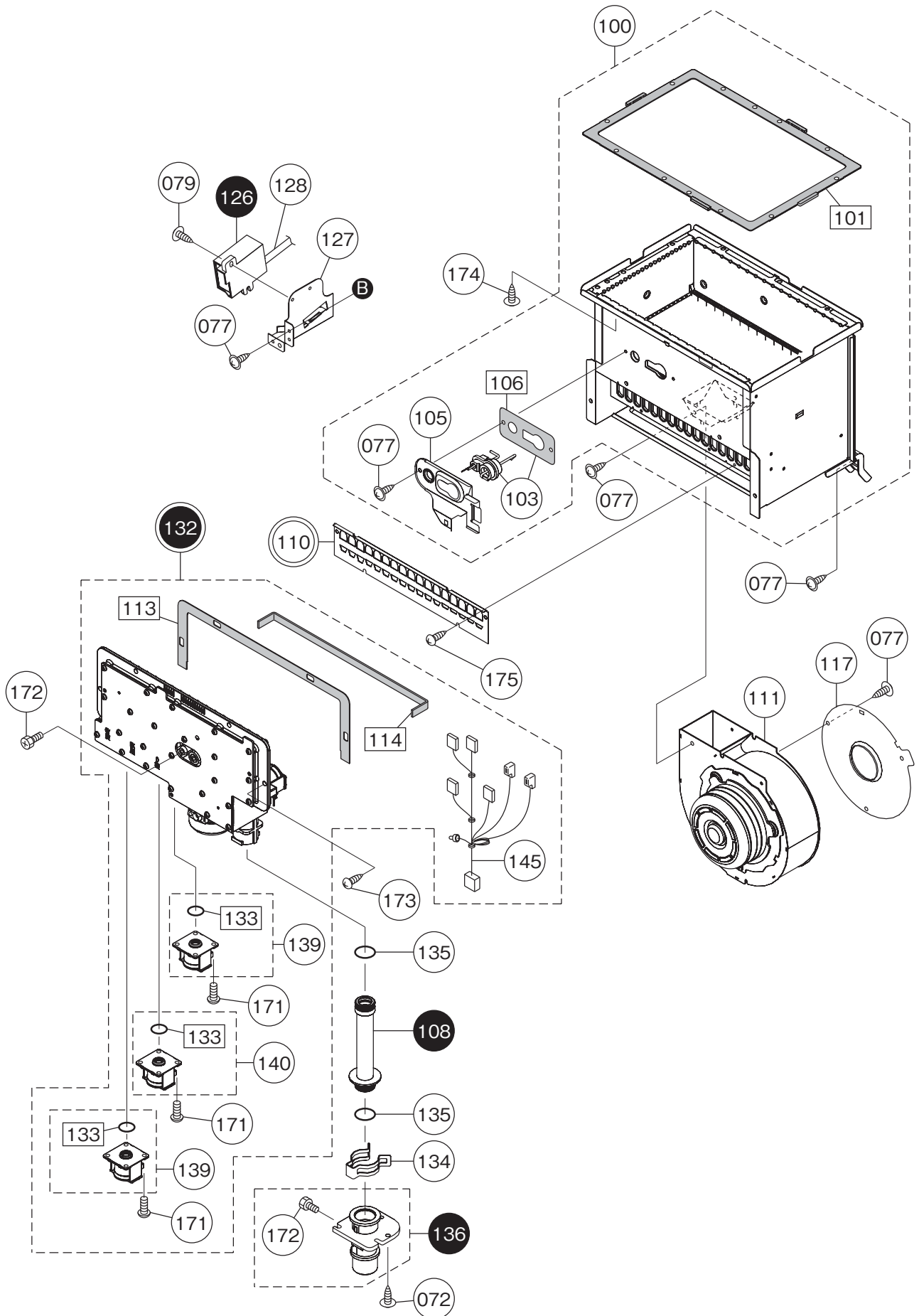
External outfitting NRC98-OD,NRC83-OD



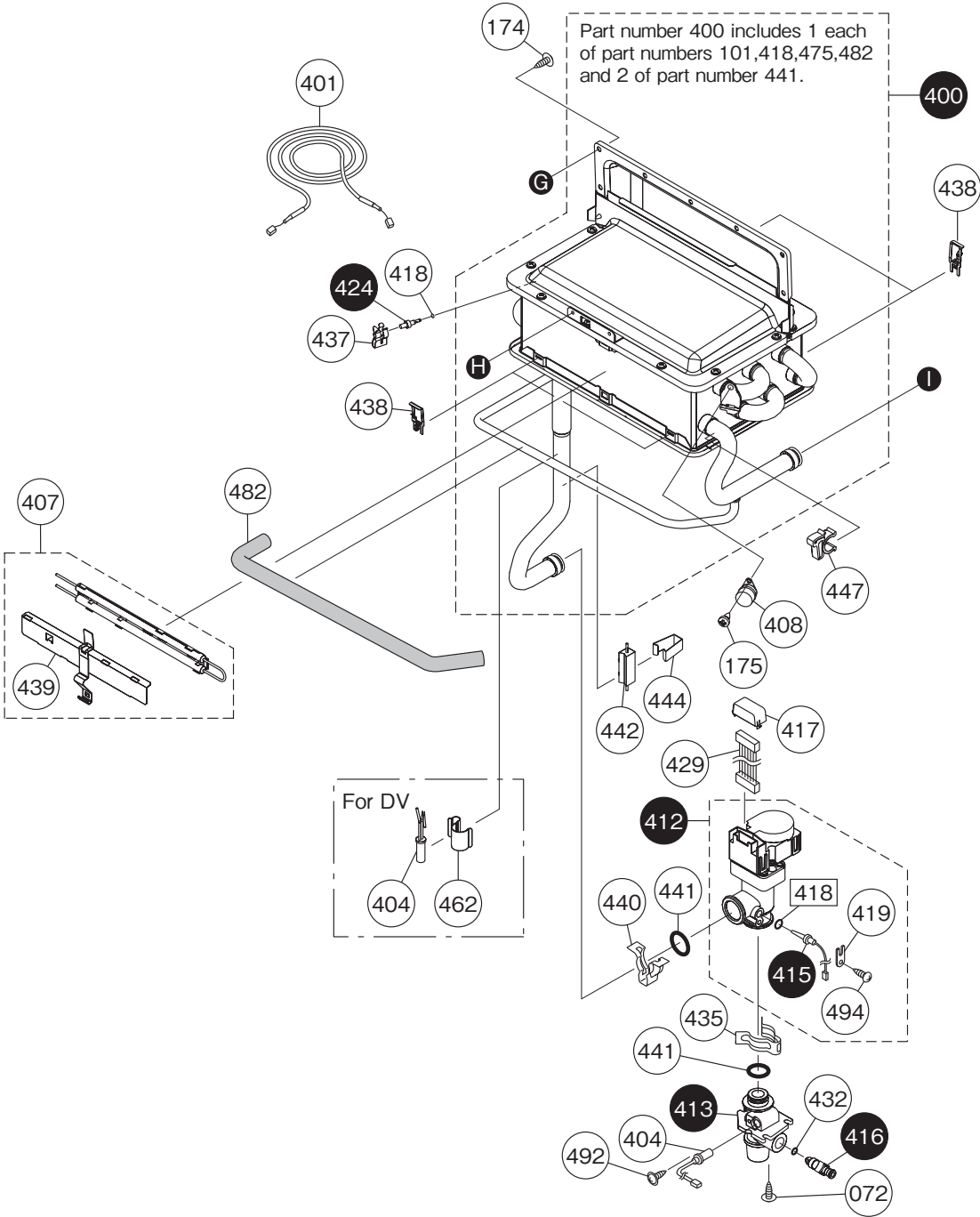
External outfitting NRC98(-DV,-OD),NRC83(-DV,-OD)

Part Nos.	Part Names	Order Nos.	Q'ty/unit
001	NRC98-DV Front set-AS NRC98-OD Front SET-AS	SKG7857 SKG7988	1<DV> 1<OD>
002	Front packing S AAP	AAPL015	2
003	Front packing L AAP	AAPL017	2
004	Mounting plate for terminal block DZT	DZTA006	1
005	White smoke caution label ENG ENR	ENRK131	1<OD>
009	Lightning arrester 127 ERD	ERDJ011	1
011	Connection diagram label ETH-A	ETHK003	1
012	Caution label ENG ELV	ELVK003	1
013	Caution label FRE ELV	ELVK006	1
014	Rating plate 2 DV(FF) ELV	ELVK010	1<DV>
	Rating plate 2 OD (W) ELV	ELVK009	1<OD>
015	Energy star mark ENJ	ENJK071	1
016	Intake rectification plate ENJ	ENJA016	1<DV>
017	Exhaust adapter ETH	ETHF021	1<DV>
018	φ92 O-ring ETH	ETHF025	1<DV>
020	Flange packing ETH	ETHF024	2<DV>
021	Intake adapter ETH	ETHF031	1<DV>
022	Cord bushing SR-5P-4	SAE6198	1<OD>
025	Air thermistor BWC	BWCH003	1
027	Parts list sheet set ETH-A	ETHK043	1
028	Junction box cover (SUS ENJ-A	ENJA025	1<OD>
029	Junction box packing ENW	ENWL005	1<OD>
030	Nylon clamp HP-4N (NK-4N)	7287909	1<DV>
035	External connection terminal block cover DNS	DNSA025	1
036	External connection terminal block set DNS	DNSA026	1
037	Remote controller connecting caution label ENJ	ENJK002	1
038	Power supply cord ERD	ERDJ013	1<DV>
040	Case FF ETH	ETHA011	1<DV>
	Case W ETH	ETHA001	1<OD>
041	Grommet CXP	CXPA026	2
042	Insulation packing ETH	ETHL001	1<DV>
043	Conduit 92-120V ENJ	ENJJ020	1<OD>
071	Cross recessed round-head collar P TIGHT screw 4X12 S410		
072	Cross recessed round-head collar type3 EVERTIGHT tapping screw 4X12 S410		
074	Cross recessed truss type3 EVERTIGHT tapping screw with PW 4X12 S410 Geomet		
076	Cross recessed bind machine screw M3.5X6 S430		
077	Cross recessed round-head collar N-tapping screw 4X8 S410		
079	Cross recessed round-head collar N-tapping screw 4X12 S410		
080	Cross recessed truss machine screw M4X8 S430		<OD>

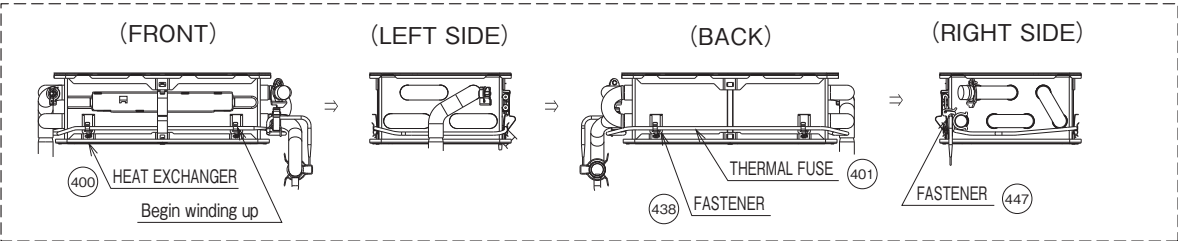
Combustion unit and gas route NRC98(-DV,-OD),NRC83(-DV,-OD)



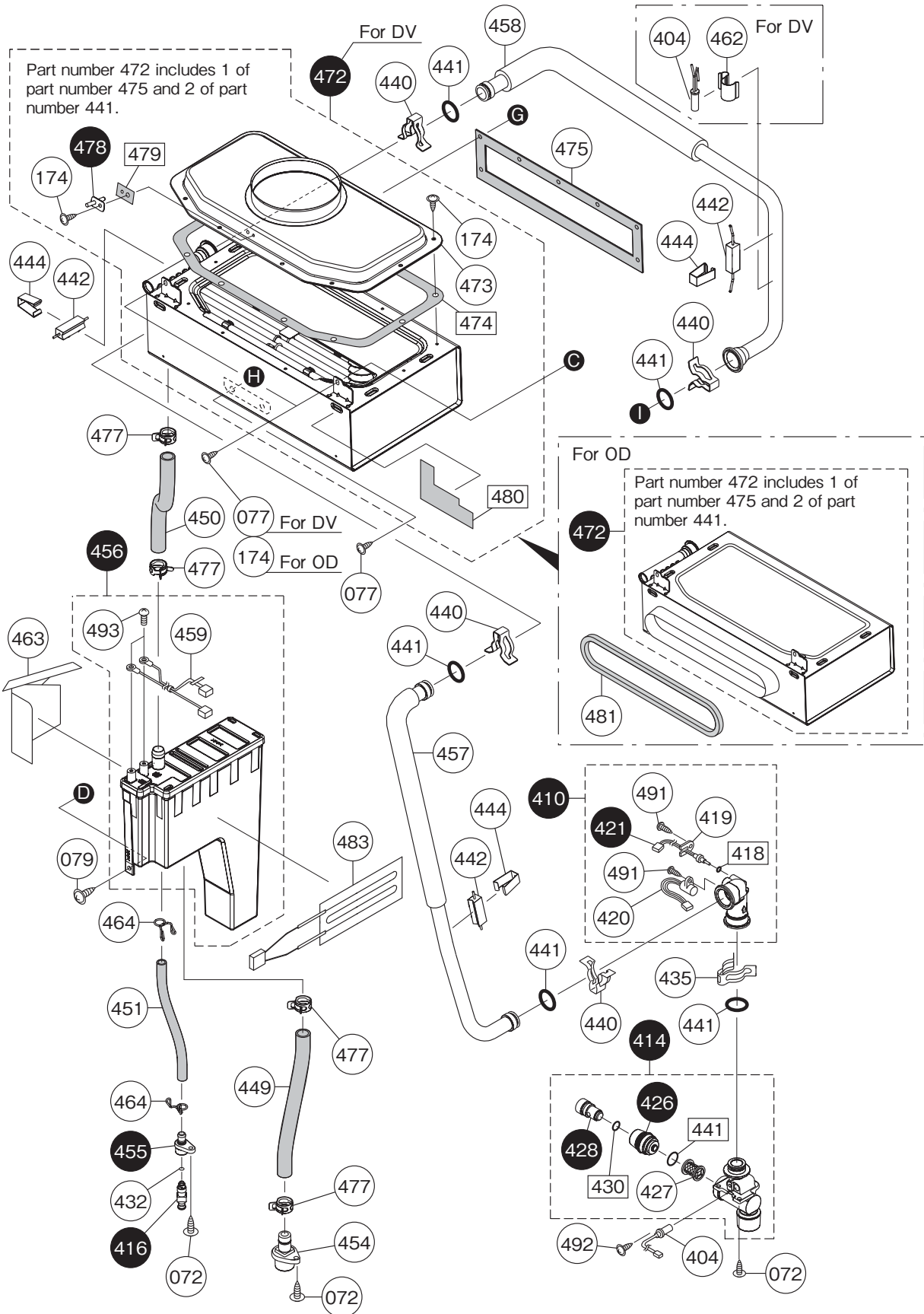
Hot-water feed route 1 NRC98(-DV,-OD),NRC83(-DV,-OD)



(Thermal fuse rounding procedure)



Hot-water feed route 2 NRC98(-DV,-OD),NRC83(-DV,-OD)



Hot-water feed route NRC98(-DV,-OD),NRC83(-DV,-OD)

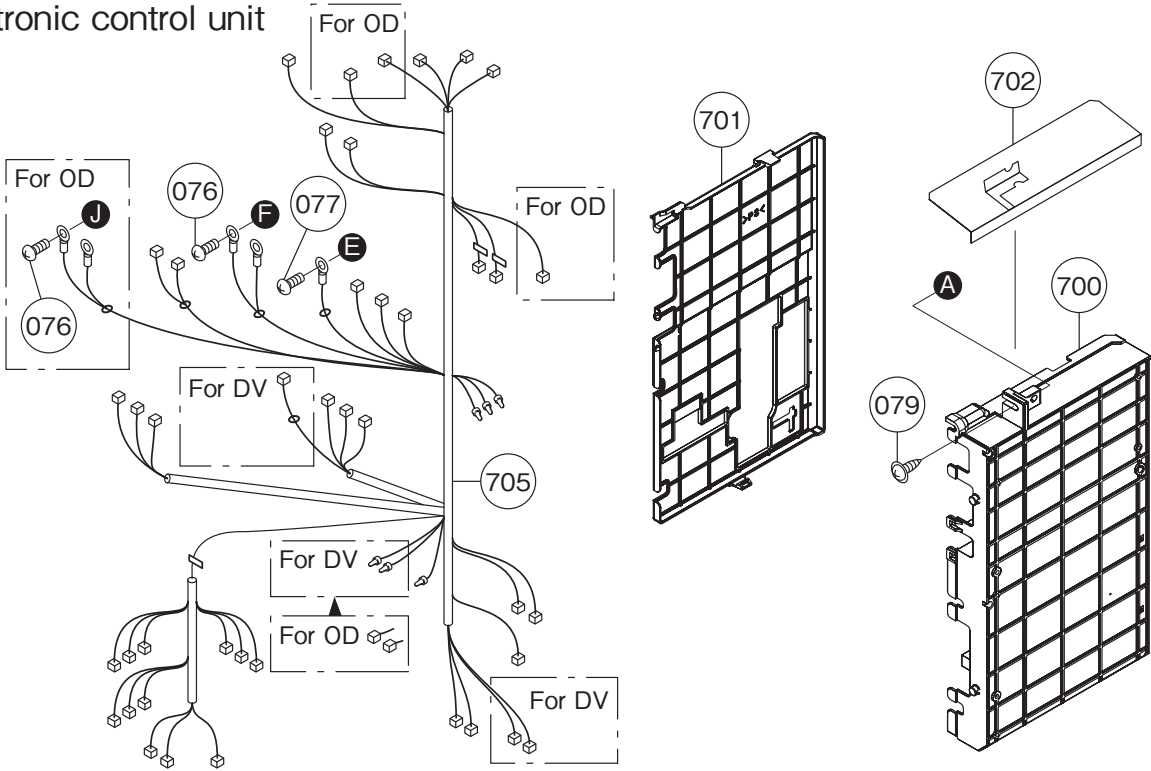
Part Nos.	Part Names	Order Nos.	Q'ty/unit
400	Heat exchanger & Exhaust box ERD SET-AS OPK	SKG7862	1
401	Thermal fuse ETH SET-V	SKG7863	1
404	Freeze preventive heater 3	ERDH003	4<DV>
	Freeze preventive heater 3	ERDH003	2<OD>
407	Freeze preventive heater Q ERD SET-V	SKG7317	1
408	Remaining flame safety device 94	ELVH002	1
410	Water flow sensor set	ERDD011	1
412	Water flow servo set	ETHD025	1
413	Hot-water outlet fitting 20A	EHUD004	1
414	Water inlet fitting 20A set	ETHD021	1
415	Hot-water thermistor-300	BWCD096	1
416	Drain cock	CRUD003	2
417	Waterproof cover	EBTD023	1
418	Chlorinated water-resistant O-ring P4	1323709	3
419	Thermistor holding plate	ALSD088	2
420	Water outlet magnetic sensor	BWCD090	1
421	Water inlet thermistor-300	BWCD097	1
424	Heat exchanger thermistor-300	BWCD098	1
426	Water filter cover	ETHD026	1
427	Water filter (SUS)	EGBD032	1
428	QMF safety valve A(S)	SAA2811	1
429	Conduit R86	JBGJ024	1
430	Hot-water resistant O-ring P9	SAD6635	1
432	Hot-water resistant O-ring P3	SAD6633	2
435	Quick fastener 16A	6340300	2
437	Sensor fastener	CRUD055	1
438	Thermal fuse fastener	EGLH002	4
439	Heater fastener set	ERDH011	1
440	Quick fastener 16-25	SAD6593	5
441	Chlorinated water-resistant O-ring P16	3223302	8
442	Freeze preventive heater 2	ERDH002	4
444	Heater fastener L	AMML001	4
447	Harness clip 16	SAB2775	1
449	Drain hose 1	ETHF051	1
450	Drain hose 2	ETHF052	1
451	Water drain hose of neutralizer	ETHF053	1
454	Drain coupling	EPHF001	1
455	Draining coupling	EMDF309	1
456	Condensate trap set ETH SET-V	SKG7864	1
457	Water inlet pipe	ETHD001	1
458	Heat exchanger connecting pipe	ETHD007	1
459	Conduit 74	EMUJ001	1
462	Heater fastener 16	ETHH003	2<DV>
463	Deflector W	ETHA024	1
464	Pin band for ϕ 8	DEGD004	2
472	Secondary heat exchanger ETH SET-AS OPK	SKG7865	1<DV>
	Secondary heat exchanger W ETH SET-AS OPK	SKG7995	1<OD>
473	Exhaust box set	ETPF101	1<DV>
474	Exhaust box packing	ETPL001	1<DV>
475	Secondary heat exchanger joint packing	ETHL003	1
477	Hose clamp NO.35	SAD6670	4
478	Exhaust thermistor	ETHH002	1<DV>
479	Exhaust thermistor packing	ETHL004	1<DV>
480	Exhaust thermistor fixing packing	ETHL006	1<DV>
481	Front top packing Q CZR	CZRL001	1<OD>
482	Waterproof cover bypass pipe	ETHL011	1
483	Freeze preventive heater 120W	ETHH004	1<OD>
491	Cross recessed round-head P TIGHT screw 4X10 S305		
492	Cross & straight recessed truss type3 S TIGHT tapping screw 4X6 S410		
493	Cross recessed truss P TIGHT screw 4X20 XM7		
494	Cross recessed round-head P TIGHT screw 4X10 S410		

Hot-water feed route NRC98(-DV,-OD),NRC83(-DV,-OD)

Part Nos.	Part Names	Order Nos.	Q'ty/unit
400	Heat exchanger & Exhaust box ERD SET-AS OPK	SKG7862	1
401	Thermal fuse ETH SET-V	SKG7863	1
404	Freeze preventive heater 3	ERDH003	4<DV>
	Freeze preventive heater 3	ERDH003	2<OD>
407	Freeze preventive heater Q ERD SET-V	SKG7317	1
408	Remaining flame safety device 94	ELVH002	1
410	Water flow sensor set	ERDD011	1
412	Water flow servo set	ETHD025	1
413	Hot-water outlet fitting 20A	EHUD004	1
414	Water inlet fitting 20A set	ETHD021	1
415	Hot-water thermistor-300	BWCD096	1
416	Drain cock	CRUD003	2
417	Waterproof cover	EBTD023	1
418	Chlorinated water-resistant O-ring P4	1323709	3
419	Thermistor holding plate	ALSD088	2
420	Water outlet magnetic sensor	BWCD090	1
421	Water inlet thermistor-300	BWCD097	1
424	Heat exchanger thermistor-300	BWCD098	1
426	Water filter cover	ETHD026	1
427	Water filter (SUS)	EGBD032	1
428	QMF safety valve A(S)	SAA2811	1
429	Conduit R86	JBGJ024	1
430	Hot-water resistant O-ring P9	SAD6635	1
432	Hot-water resistant O-ring P3	SAD6633	2
435	Quick fastener 16A	6340300	2
437	Sensor fastener	CRUD055	1
438	Thermal fuse fastener	EGLH002	4
439	Heater fastener set	ERDH011	1
440	Quick fastener 16-25	SAD6593	5
441	Chlorinated water-resistant O-ring P16	3223302	8
442	Freeze preventive heater 2	ERDH002	4
444	Heater fastener L	AMML001	4
447	Harness clip 16	SAB2775	1
449	Drain hose 1	ETHF051	1
450	Drain hose 2	ETHF052	1
451	Water drain hose of neutralizer	ETHF053	1
454	Drain coupling	EPHF001	1
455	Draining coupling	EMDF309	1
456	Condensate trap set ETH SET-V	SKG7864	1
457	Water inlet pipe	ETHD001	1
458	Heat exchanger connecting pipe	ETHD007	1
459	Conduit 74	EMUJ001	1
462	Heater fastener 16	ETHH003	2<DV>
463	Deflector W	ETHA024	1
464	Pin band for ϕ 8	DEGD004	2
472	Secondary heat exchanger ETH SET-AS OPK	SKG7865	1<DV>
	Secondary heat exchanger W ETH SET-AS OPK	SKG7995	1<OD>
473	Exhaust box set	ETPF101	1<DV>
474	Exhaust box packing	ETPL001	1<DV>
475	Secondary heat exchanger joint packing	ETHL003	1
477	Hose clamp NO.35	SAD6670	4
478	Exhaust thermistor	ETHH002	1<DV>
479	Exhaust thermistor packing	ETHL004	1<DV>
480	Exhaust thermistor fixing packing	ETHL006	1<DV>
481	Front top packing Q CZR	CZRL001	1<OD>
482	Waterproof cover bypass pipe	ETHL011	1
483	Freeze preventive heater 120W	ETHH004	1<OD>
491	Cross recessed round-head P TIGHT screw 4X10 S305		
492	Cross & straight recessed truss type3 S TIGHT tapping screw 4X6 S410		
493	Cross recessed truss P TIGHT screw 4X20 XM7		
494	Cross recessed round-head P TIGHT screw 4X10 S410		

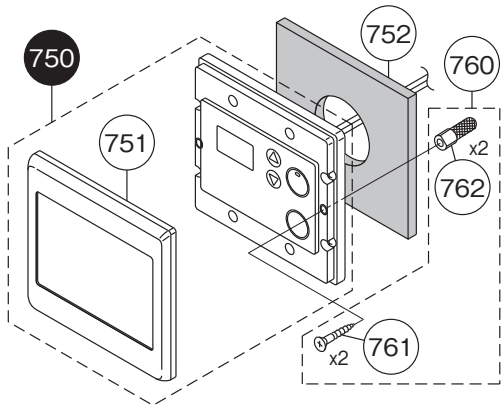
Electronic control unit, Remote controller and Attached set

Electronic control unit

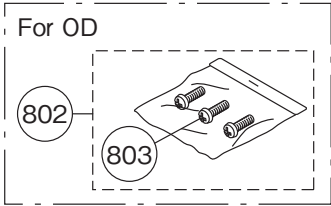
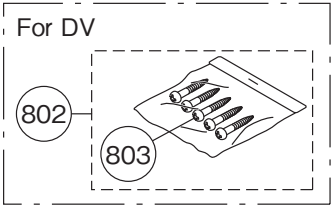
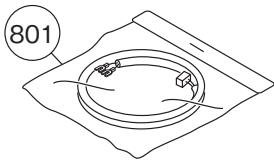


Remote controller

RC-7651M-ENG



Attached set



<Special part>

Special part	Special part no.
Owner's guide	888
Installation manual	889

※ To request a French version of the Owner's guide or Installation manual, contact Noritz America.

Hot-water feed route NRC98(-DV,-OD),NRC83(-DV,-OD)

Part Nos.	Part Names	Order Nos.	Q'ty/unit
400	Heat exchanger & Exhaust box ERD SET-AS OPK	SKG7862	1
401	Thermal fuse ETH SET-V	SKG7863	1
404	Freeze preventive heater 3	ERDH003	4<DV>
	Freeze preventive heater 3	ERDH003	2<OD>
407	Freeze preventive heater Q ERD SET-V	SKG7317	1
408	Remaining flame safety device 94	ELVH002	1
410	Water flow sensor set	ERDD011	1
412	Water flow servo set	ETHD025	1
413	Hot-water outlet fitting 20A	EHUD004	1
414	Water inlet fitting 20A set	ETHD021	1
415	Hot-water thermistor-300	BWCD096	1
416	Drain cock	CRUD003	2
417	Waterproof cover	EBTD023	1
418	Chlorinated water-resistant O-ring P4	1323709	3
419	Thermistor holding plate	ALSD088	2
420	Water outlet magnetic sensor	BWCD090	1
421	Water inlet thermistor-300	BWCD097	1
424	Heat exchanger thermistor-300	BWCD098	1
426	Water filter cover	ETHD026	1
427	Water filter (SUS)	EGBD032	1
428	QMF safety valve A(S)	SAA2811	1
429	Conduit R86	JBGJ024	1
430	Hot-water resistant O-ring P9	SAD6635	1
432	Hot-water resistant O-ring P3	SAD6633	2
435	Quick fastener 16A	6340300	2
437	Sensor fastener	CRUD055	1
438	Thermal fuse fastener	EGLH002	4
439	Heater fastener set	ERDH011	1
440	Quick fastener 16-25	SAD6593	5
441	Chlorinated water-resistant O-ring P16	3223302	8
442	Freeze preventive heater 2	ERDH002	4
444	Heater fastener L	AMML001	4
447	Harness clip 16	SAB2775	1
449	Drain hose 1	ETHF051	1
450	Drain hose 2	ETHF052	1
451	Water drain hose of neutralizer	ETHF053	1
454	Drain coupling	EPHF001	1
455	Draining coupling	EMDF309	1
456	Condensate trap set ETH SET-V	SKG7864	1
457	Water inlet pipe	ETHD001	1
458	Heat exchanger connecting pipe	ETHD007	1
459	Conduit 74	EMUJ001	1
462	Heater fastener 16	ETHH003	2<DV>
463	Deflector W	ETHA024	1
464	Pin band for ϕ 8	DEGD004	2
472	Secondary heat exchanger ETH SET-AS OPK	SKG7865	1<DV>
	Secondary heat exchanger W ETH SET-AS OPK	SKG7995	1<OD>
473	Exhaust box set	ETPF101	1<DV>
474	Exhaust box packing	ETPL001	1<DV>
475	Secondary heat exchanger joint packing	ETHL003	1
477	Hose clamp NO.35	SAD6670	4
478	Exhaust thermistor	ETHH002	1<DV>
479	Exhaust thermistor packing	ETHL004	1<DV>
480	Exhaust thermistor fixing packing	ETHL006	1<DV>
481	Front top packing Q CZR	CZRL001	1<OD>
482	Waterproof cover bypass pipe	ETHL011	1
483	Freeze preventive heater 120W	ETHH004	1<OD>
491	Cross recessed round-head P TIGHT screw 4X10 S305		
492	Cross & straight recessed truss type3 S TIGHT tapping screw 4X6 S410		
493	Cross recessed truss P TIGHT screw 4X20 XM7		
494	Cross recessed round-head P TIGHT screw 4X10 S410		

