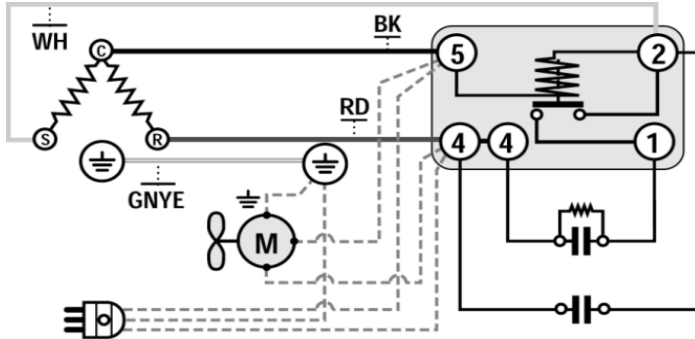


**Wiring Diagram**



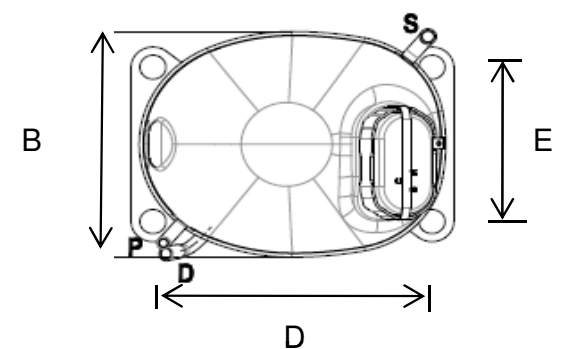
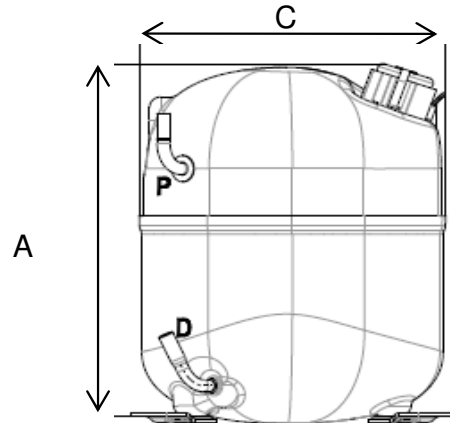
**Compressor Terminals**

- C = Common
- R = Run
- S = Start

Electrical components are supplied unassembled. Use of components other than specified will void warranty.

**Dimensions (inches)**

A:10.9" B: 7.05" C: 8.81" D: 8" E: 4.8"




**Tube Diameter**

ID	Inch	MM
Process	.25-1/4	6.42
Suction	.50-1/2	12.77
Discharge	.31-5/16	8

**Technical Specifications**

Rev 12-2016

Mechanical Data	English	Metric	Electrical Data	
Bore	1.69 in	42.85 mm	<b>Motor:</b>	CSR
Stroke	.94 in	23.85 mm	Voltage	208-230-1P
Displacement	2.098 cu.In.	34.38 cc	Voltage range	187-244V
Speed	3,500 rpm	3,500 rpm	Run winding resistance at 25 °C	1.05 Ω
Weight	47.18 lb	21.4 kg	Start winding resistance at 25 °C	4.18 Ω
Oil Charge	25.36 oz.	750 ml	Locked rotor current	54 amps
Oil Type	POE	ISO22	RLA:LBP-60Hz	9.2 amps
<b>Compressor Cooling:</b> Fan cooled by forced draft over shell with 6 watt minimum fan.				
<b>Restrictor:</b> Capillary tube or Expansion valve			<b>Capacitor:</b>	
			Start Cap	130-156 mfd 330V
			Run Cap	20 mfd 440V

	<b>NJ2212GJ2</b>	<b>LBP</b>	<b>208-230</b>	<b>404A</b>
<b>Specifications</b> Approximate H. P. 1 1/2 Starting Torque High Refrigerant 404A Evaporator Temperature Low Evaporator Temperature -40° to 14°F			<b>Usage</b> Drinking Water Coolers Dehumidifiers Ice Machines Reach In Refrigerators Beer Coolers	

<b>LBP Performance-208V</b>					
<b>Temperature °F</b>	-22	<b>-10</b>	-4	5	14
<b>Capacity BTU/Hr</b>	3,541	<b>5,491</b>	6,594	8,393	10,374
<b>Power W</b>	997	<b>1,282</b>	1,434	1,671	1,912
<b>Current Amps</b>	5.42	<b>6.76</b>	7.46	8.64	9.90
<b>Temperature °C</b>	-30	<b>-23.3</b>	-20	-15	-10
<b>Capacity Kcal/Hr</b>	892	<b>1,384</b>	1,662	2,115	2,614

<b>LBP Rating</b>	<b>ASHRAE</b>	<b>Rating Point (Bolded above)</b>	<b>HBP Rating</b>	<b>ASHRAE</b>
Condensing	130°F		Condensing	N/A
Evaporator	-10°F		Evaporator	N/A
Return Gas	90°F		Return Gas	N/A
Ambient	90°F		Ambient	N/A
Liquid Temp.	90°F		Liquid Temp.	N/A

<b>Material</b>	<b>Part number</b>	<b>Description</b>	<b>Compressor Cross Ref.</b>	
			<b>Model</b>	<b>Appl.</b>
Compressor	943ED11	NJ2212GJ2		
Relay	1253010	RVA2L3C-112		
Overload	Internal			
Start Cap	2252274	130-108 mfd / 330V		
Run Cap	2253312	20 mfd / 440V		
*Electrical box	1272374			
Grommet	2221004			
Sleeve	2222016			

\*Contains relay,harness,start and run cap

**EMBRACO NORTH AMERICA, INC.**  
 1610 Satellite Blvd. Suite B, Duluth Ga, 30097 Phone: 678-805-3074