

embraco

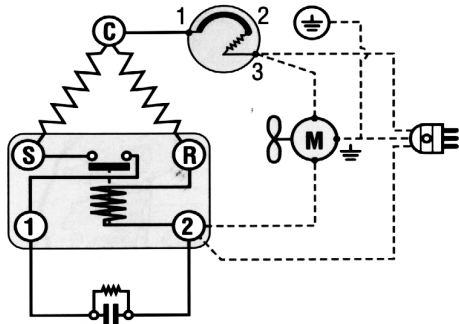
NEK6210Z

HBP

115 V

134a

Wiring Diagram



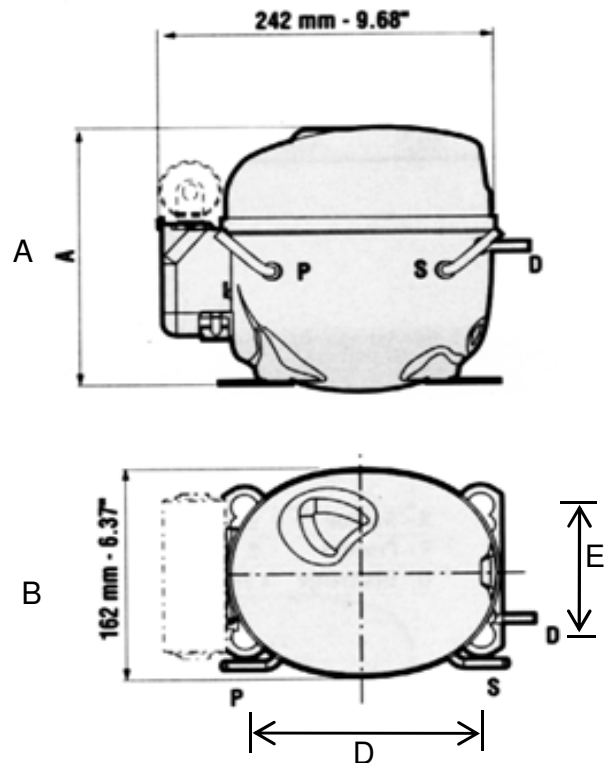
Compressor Terminals

- C = Common
- R = Run
- S = Start

Electrical components are supplied unassembled. Use of components other than specified will void warranty.

Dimensions (inches)

A: 7.9" B: 6.37" C: 9.68" D: 6.5" E: 4"



Tube Diameter

ID	Inch	MM
process	.254	6.45
suction	.316	8.03
discharge	.254	6.45

Technical Specifications

Rev 09/12

Mechanical Data	English	Metric	Electrical Data	
Bore	1.09 in	27.78 mm	motor: 2 pole - 1 phase	CSIR
Stroke	.79 in	20 mm	voltage	115v / 60 Hz
Displacement	.739 cu. In	12.11 cc	voltage range	103-127v
Speed	3,500 rpm	3,500 rpm	run winding resistance at 25°C	.96 Ω
Weight	24.25 lb	11 kg	start winding resistance at 25°C	6.10 Ω
Oil Charge	11.84 oz.	350 ml	locked rotor current	37 amps

Compressor Cooling:

Fan cooled by forced draft over shell with 6 watt minimum fan.


Restrictor:

Expansion valve or capillary tube

capacitor:

capacitance
voltage

189-227 mfd
165v

	NEK6210Z	HBP	115 V	134a
Specifications Approximate H. P. 1/3+ Starting Torque High Refrigerant 134a Evaporator Temperature High Evaporator Temperature 5° to 50°F			Usage Drinking Water Coolers Dehumidifiers Ice Machines Reach In Refrigerators Beer Coolers	

HBP Performance					
Temperature °F	14	23	32	45	50
Capacity BTU/Hr	2,163	2,725	3,389	4,524	5,023
Power W	414	467	522	608	642
Current Amps	5.46	5.82	6.21	6.83	7.09
Temperature °C	-10	-5	0	7.2	10
Capacity Kcal/Hr	545	687	854	1,140	1,266

LBP Rating		Rating Point (Bolded above)	HBP Rating	
Condensing	130°F		Condensing	130°F
Evaporator	-10°F		Evaporator	45°F
Return Gas	90°F		Return Gas	95°F
Ambient	90°F		Ambient	95°F
Liquid Temp.	90°F		Liquid Temp.	115°F

Material	Part number	Description	Compressor Cross Ref.
Compressor	268BG71		Model Appl.
Relay	2283012	For use on CSIR applications	
Overload	2321020		
Start Cap	2252289	189-227mfd / 250v	
Grommet	2221003		
Sleeve	2222015		

EMBRACO NORTH AMERICA, INC.
 2800 Vista Ridge Dr. Suite 100, Suwanee Ga, 30024 Phone: 678-804-1337