

embraco

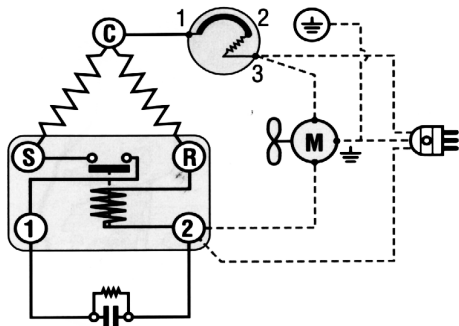
NEK2150GK

LBP

115 V

404A

Wiring Diagram



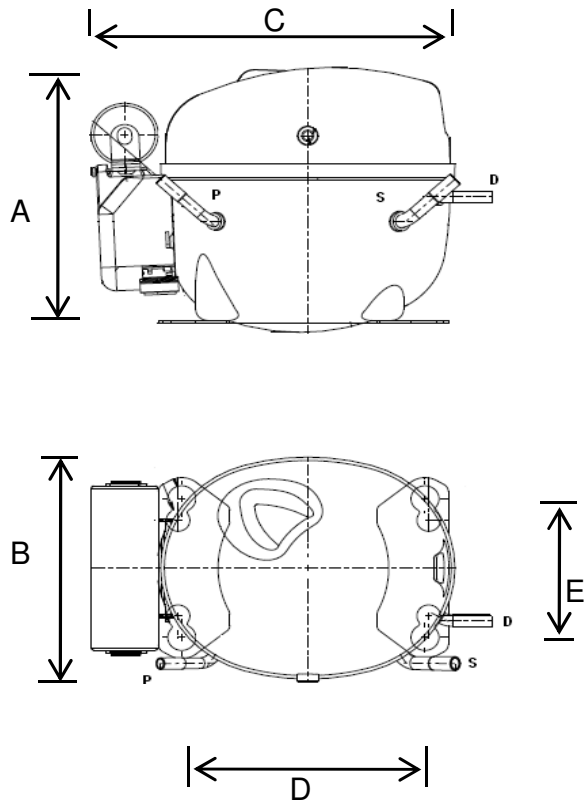
Compressor Terminals

- C = Common
- R = Run
- S = Start

Electrical components are supplied unassembled. Use of components other than specified will void warranty.

Dimensions (inches)

A: 8.1" B: 6.37" C: 9.68" D: 6.5" E: 4"




Tube Diameter

ID	Inch	MM
process	.254	6.45
suction	.316	8.03
discharge	.254	6.45

Technical Specifications

Rev 10/12

Mechanical Data	English	Metric	Electrical Data	
Bore	1.094 in	27.775 mm	motor: 2 pole - 1 phase	CSIR
Stroke	.79 in	20 mm	voltage	115v / 60 Hz
Displacement	.739 cu. In	12.11 cc	voltage range	103-127v
Speed	3,500 rpm	3,500 rpm	run winding resistance at 25°C	.77 Ω
Weight	25.57 lb	11.6 kg	start winding resistance at 25°C	4.5 Ω
Oil Charge	11.84 oz.	350 ml	locked rotor current	N/A
Compressor Cooling: Fan cooled by forced draft over shell with 6 watt minimum fan.				
Restrictor: Expansion valve or capillary tube			capacitor: capacitance voltage	189-227 mfd 165v

	NEK2150GK	LBP	115 V	404A
Specifications Approximate H. P. 1/2+ Starting Torque High Refrigerant 404A Evaporator Temperature Low Evaporator Temperature -40° to 14°F			Usage Drinking Water Coolers Dehumidifiers Ice Machines Reach In Refrigerators Beer Coolers	

LBP Performance					
Temperature °F	-22	-10	-4	5	14
Capacity BTU/Hr	1,735	2,448	2,858	3,556	4,344
Power W	485	588	641	725	814
Current Amps	6.7	7.35	7.70	8.28	8.93
Temperature °C	-30	-23.3	-20	-15	-10
Capacity Kcal/Hr	437	617	720	896	1,095

LBP Rating		Rating Point (Bolded above)	HBP Rating	
Condensing	130°F		Condensing	130°F
Evaporator	-10°F		Evaporator	45°F
Return Gas	90°F		Return Gas	95°F
Ambient	90°F		Ambient	95°F
Liquid Temp.	90°F		Liquid Temp.	115°F

Material	Part number	Description	Compressor Cross Ref.
Compressor	959AG92		Model Appl.
Relay	2271016		
Overload	2324069		
Start Cap	2252320	189-227 mfd / 165v	
Grommet	2221003		
Sleeve	2222015		

EMBRACO NORTH AMERICA, INC.
2800 Vista Ridge Dr. Suite 100, Suwanee Ga, 30024 Phone: 678-804-1337