

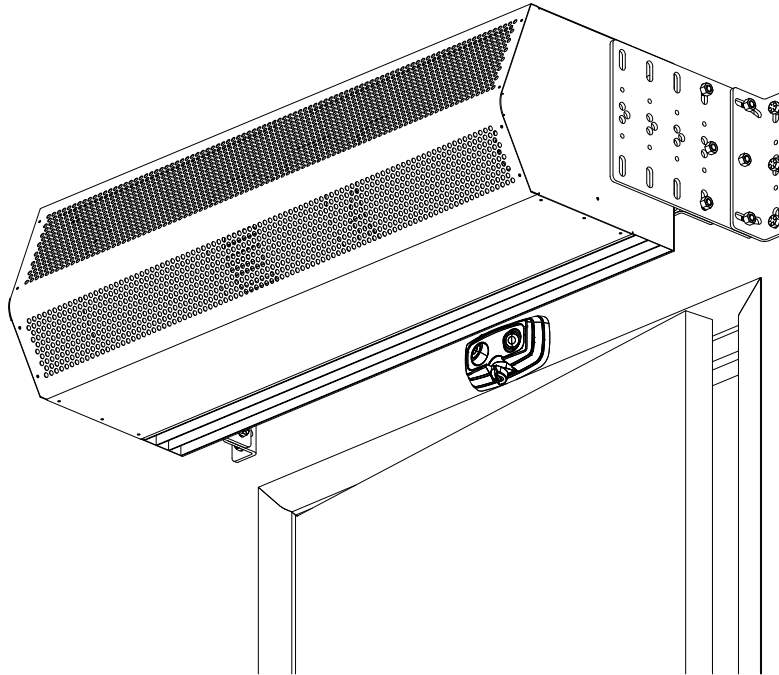
Mars Air Systems

Typical Air Curtain Installations

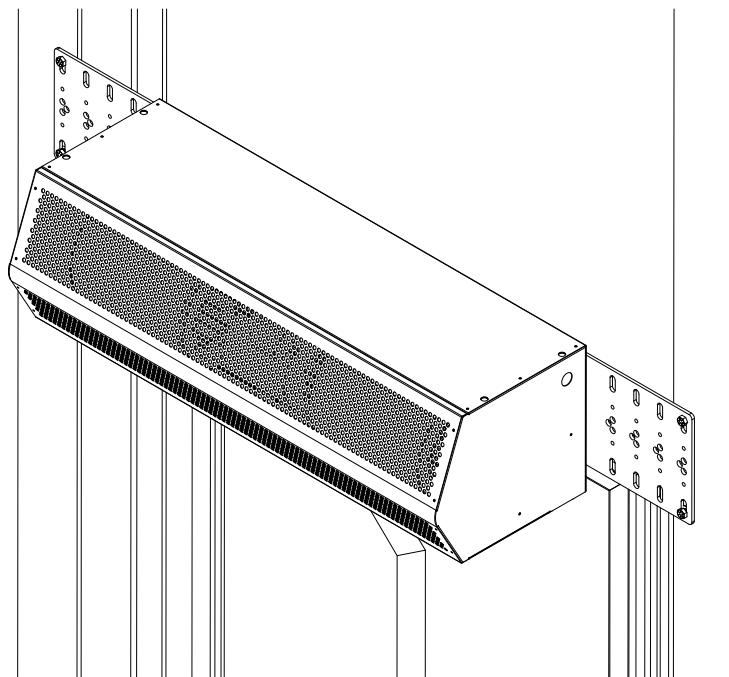
Table of Contents

STD2 Series Adjustable Combination Mounting Brackets	2
STD2 Series with Side Extension Brackets	2
LPV2/LPN2 Overhead Mounting Brackets	3
LPV2/LPN2 Series Tandem Mounting	3
Phantom Series Overhead Mounting	4
Phantom Series Tandem Mounting	4
STD2/N2 Transom Mounting Brackets and Unistrut	5
LPV2/LPN2 Transom Mounting Brackets	5
Sliding Freezer Door with Extended Offset Mounting Brackets	6
Drum Roll Up Door with Extended Offset Mounting Brackets	6
Side Vinyl Baffle Kit and Field-Fabricated Side Baffles	7
Vertical Mount Kit with Side Baffle Kit	7
Garage Type Door with Overhead Mounting	8
Vertical Dock Door with Overhead Mounting and Vibration Isolation	8
Vertical Dock Door with Side Extension and Adjustable Combination Mounting Brackets	9
High Speed Door with Side Extension and Adjustable Combination Mounting Brackets	9
Harsh Weather Cover	10
Pressed Frame Aluminum Filters	10
Phantom Series with Nozzle Extension	11
STD2 Series with Nozzle Extension and Nozzle Diverter	11
Combination Type Door Limit Switch	12-13
Commercial Surface Mounted Door Limit Switch	13-14
Industrial Surface Mounted Door Limit Switch	14

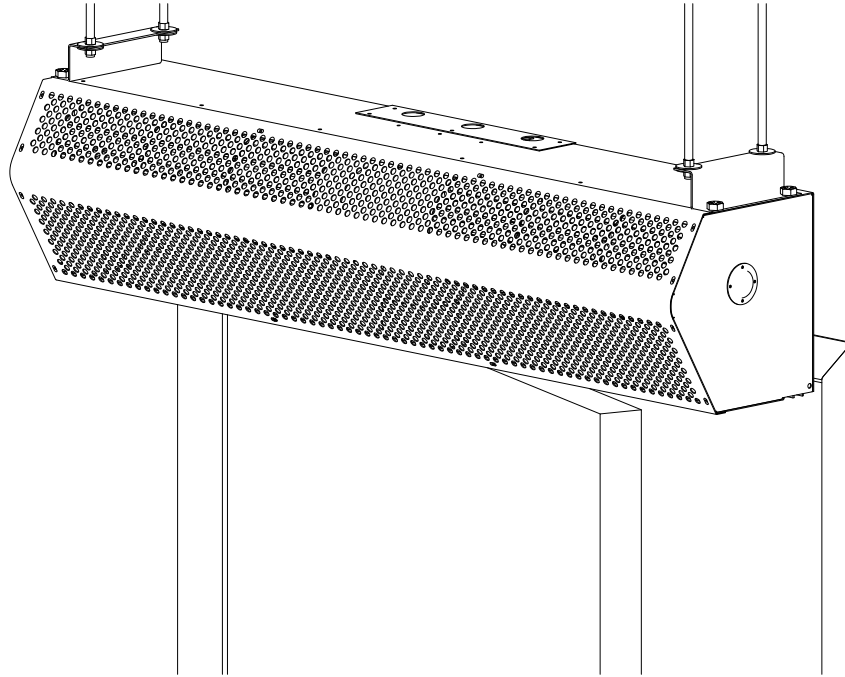
Customer Entry / Service Door
STD2 Series with [Adjustable Combination Mounting Brackets \(B0005\)](#)



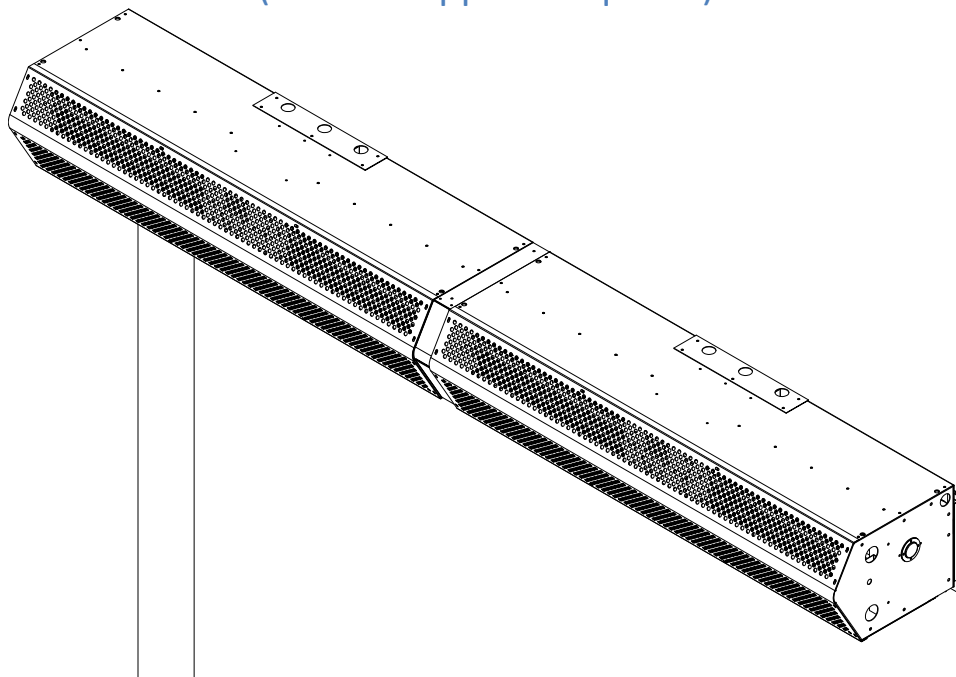
Customer Entry / Service Door
STD2 Series with [Side Extension Brackets \(B0020\)](#)



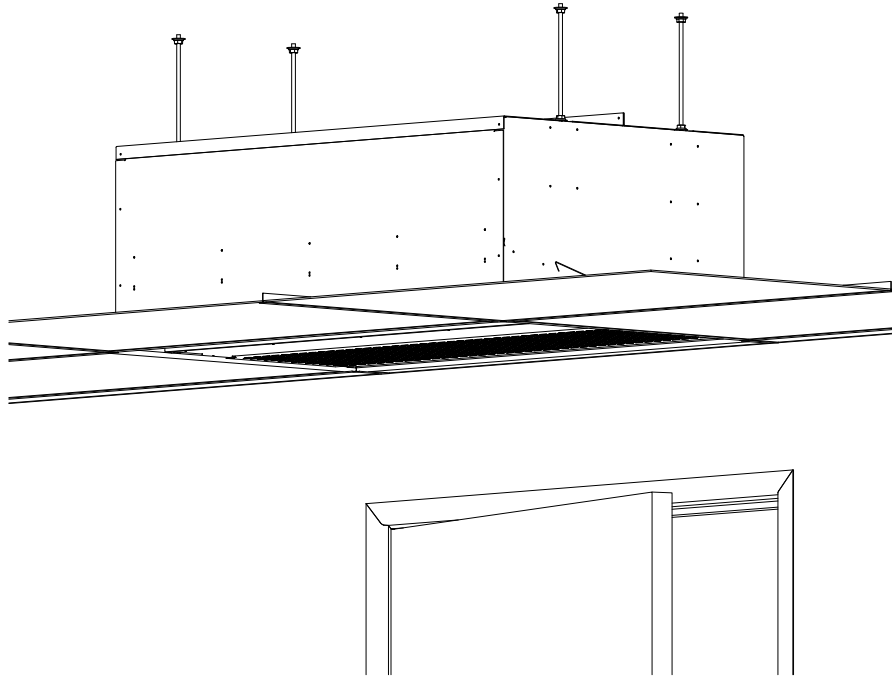
Customer Entry / Service Door
LPV2/LPN2 Series with Overhead Mounting Brackets (B0031 & B0032)



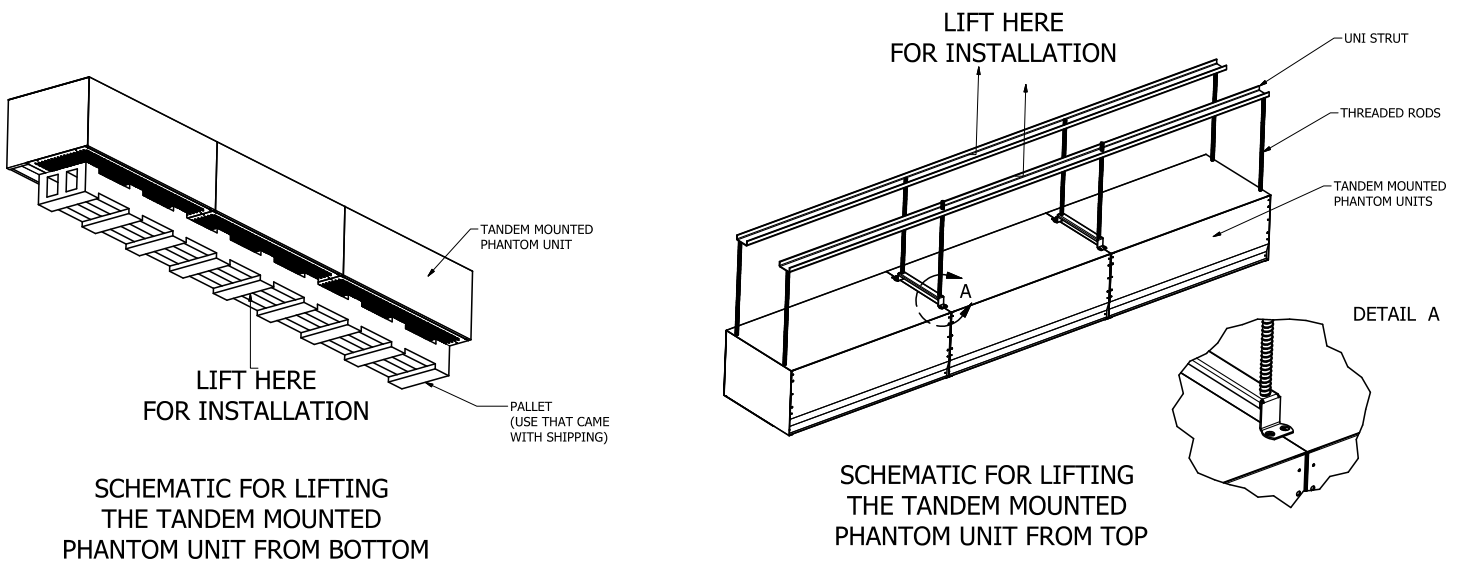
Customer Entry / Service Door
LPV2/LPN2 Series with Tandem Mounting Bracket (J0120 & J0121)
(Center Support Required)



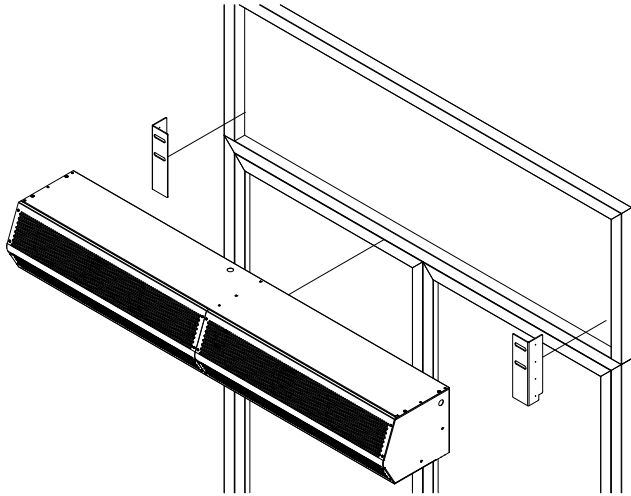
Customer Entry / Service Door with Drop Ceiling Phantom Series Overhead Mounting (Hardware Not Included)



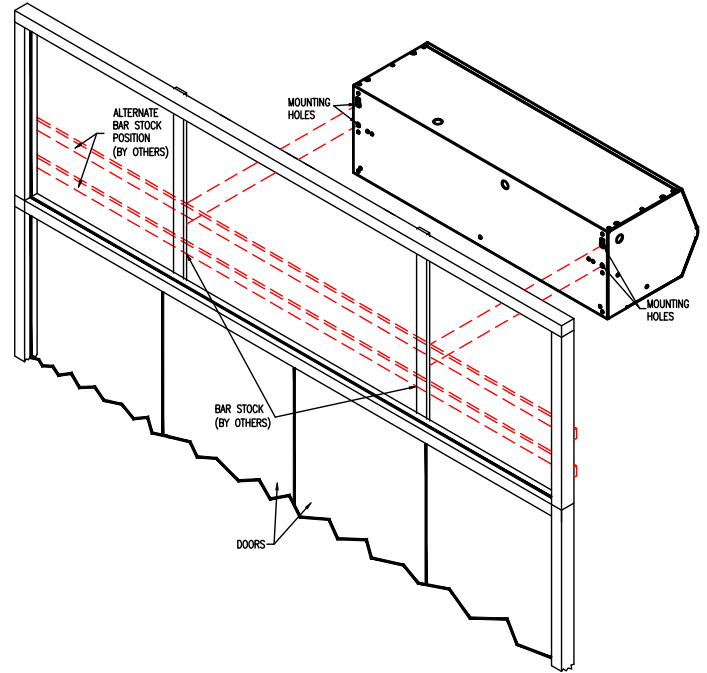
Phantom Series Tandem Mount Installation



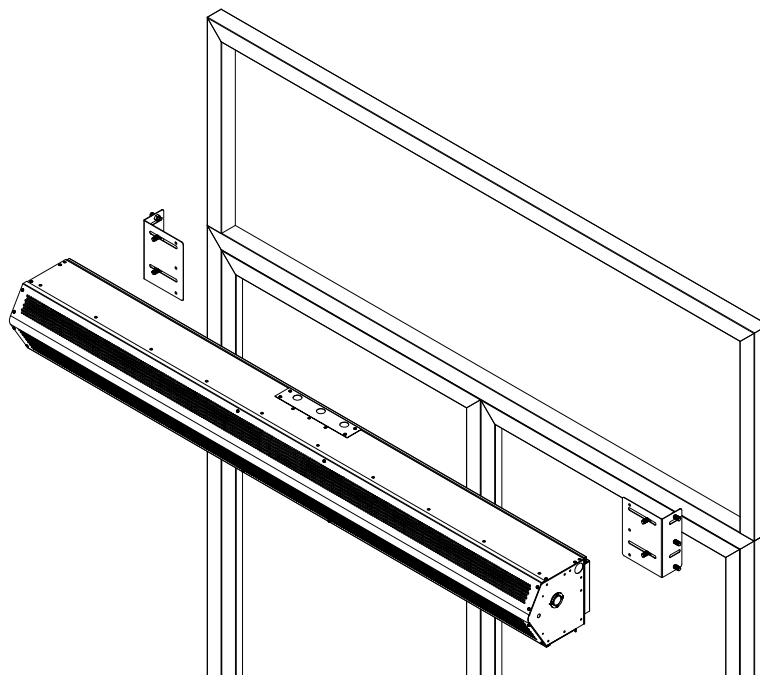
STD2/N2 Series Transom Installation with [Transom Mount Brackets \(B0041\)](#)



STD2 Series Transom Installation w/ Field-provided bar stock or unistrut

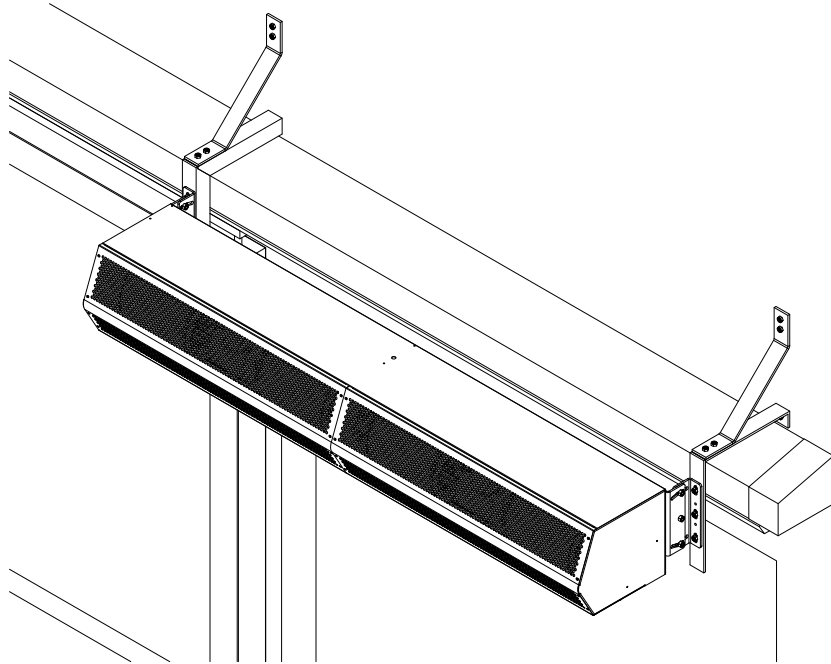


LPV2/LPN2 Series Transom Installation with [Transom Mounting Brackets \(B0042\)](#)



Sliding Freezer Door

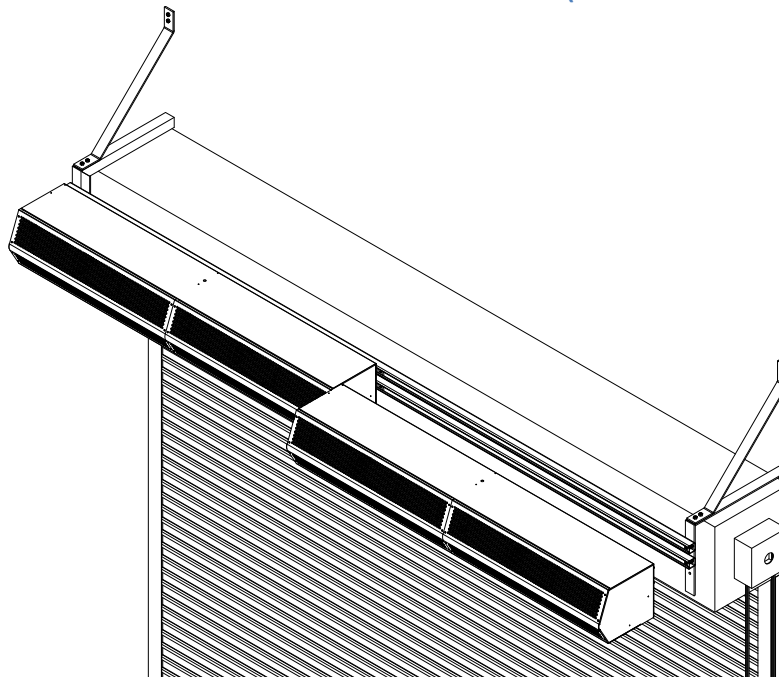
STD2 Series with [Extended Wall Mounting Brackets \(B0008, B0009, B0010, B0011\)](#)



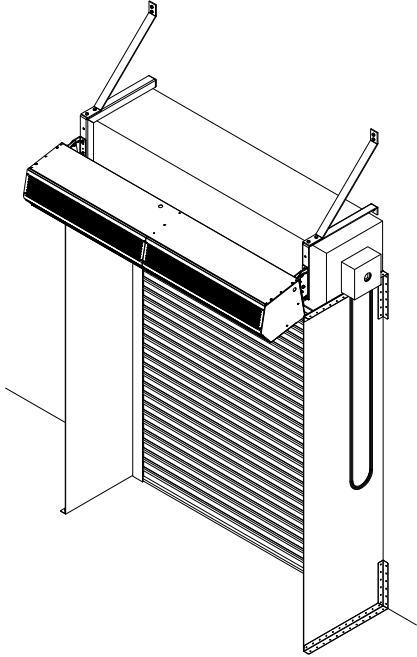
Roll-Up Door

STD2 Series with [Extended Wall Mounting Brackets \(B0008, B0009, B0010, B0011\)](#)

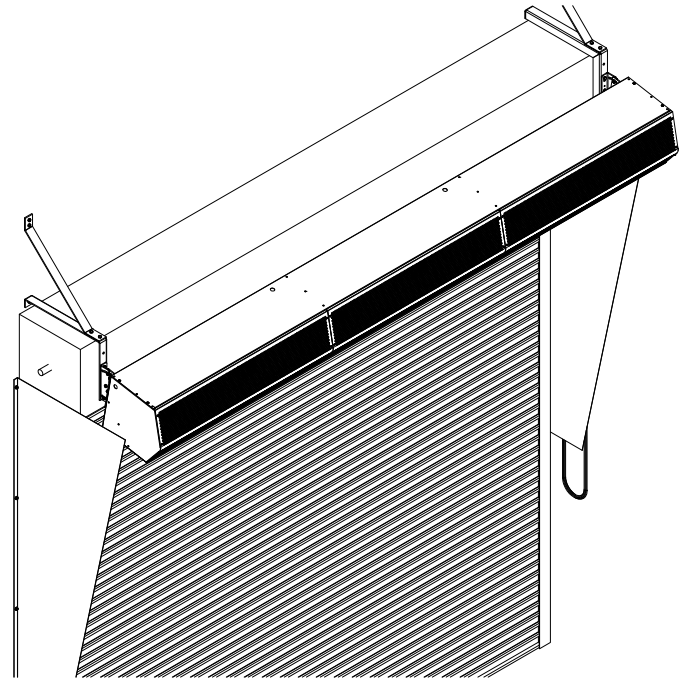
Tandem Mounted with Unistruts (Not Included)



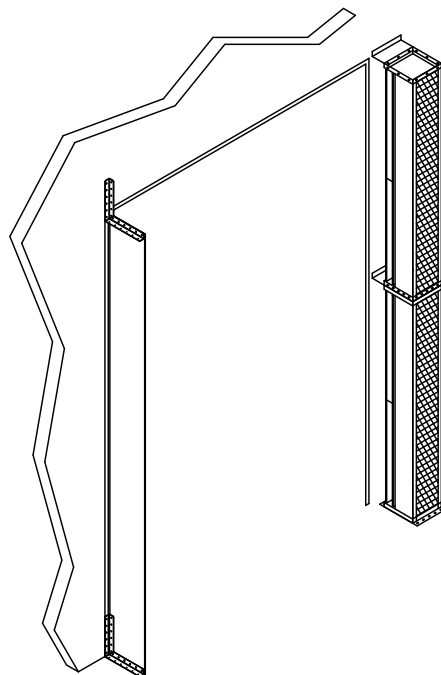
Extended Wall Mounting Brackets
w/ Side Vinyl Baffle Kit
(B0101, B0103, B0105)



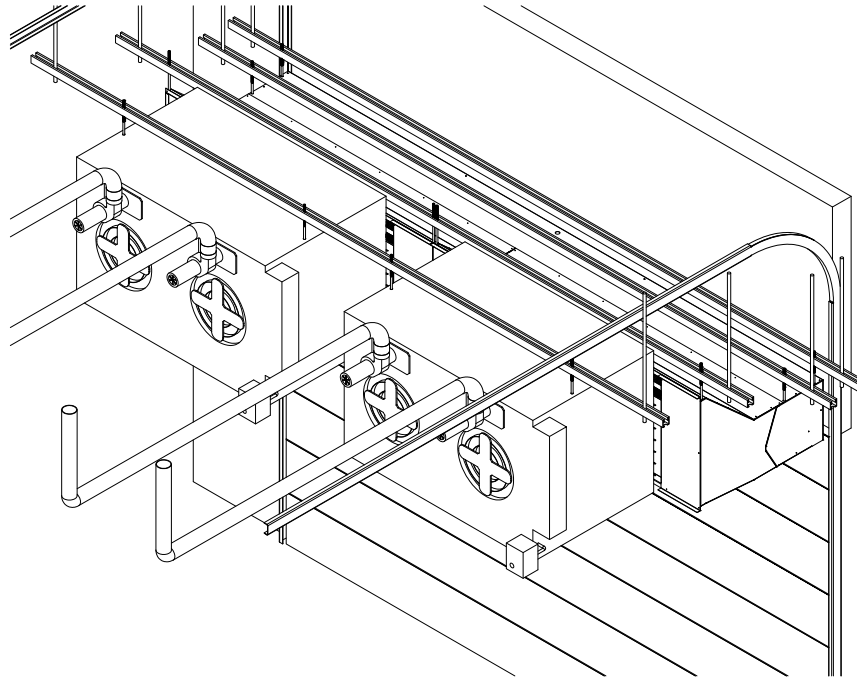
Extended Wall Mounting Brackets
w/ Field-Fabricated Metal Side Baffles



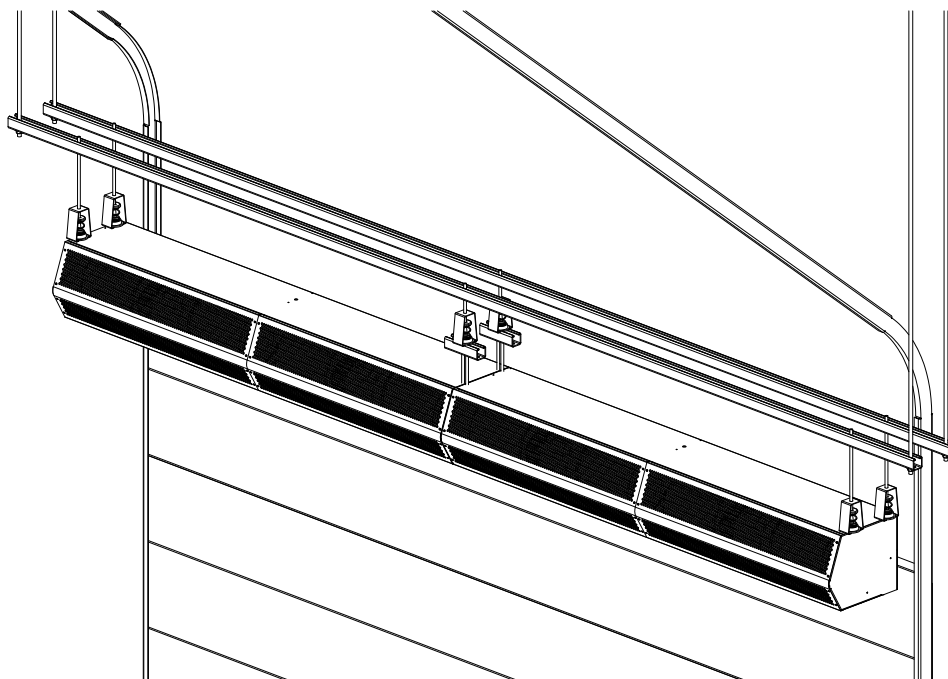
Vertical Mount Kit (09-500, 09-510, 09-520, 09-530, 09-546, 09-550)
with Side Vinyl Baffle Kit (B0101, B0103, B0105)



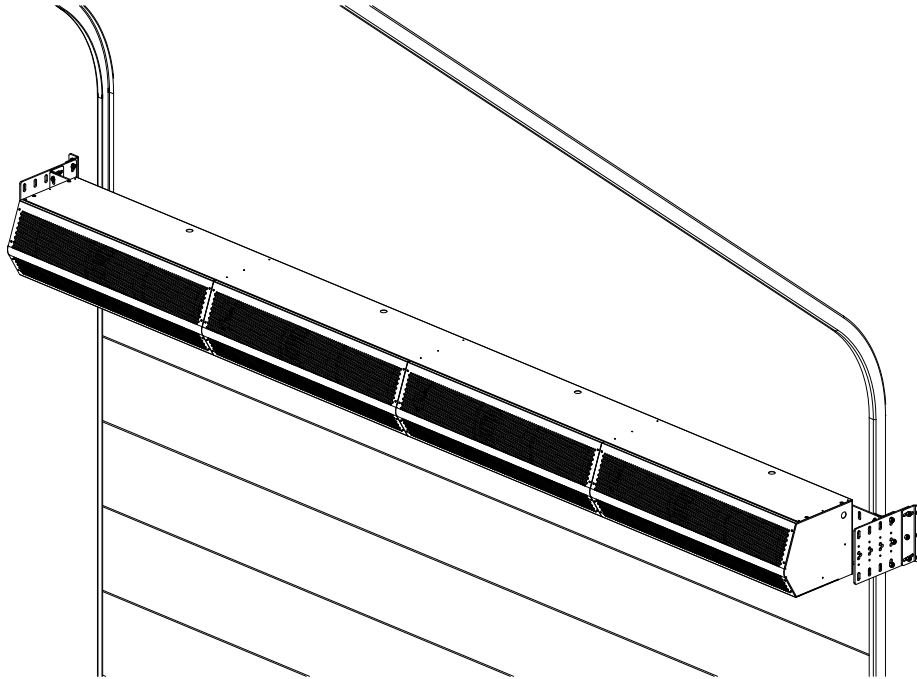
Garage Type Door, Indirect Gas Fired Unit Overhead Mounting (Unistruts and Hardware Not Included)



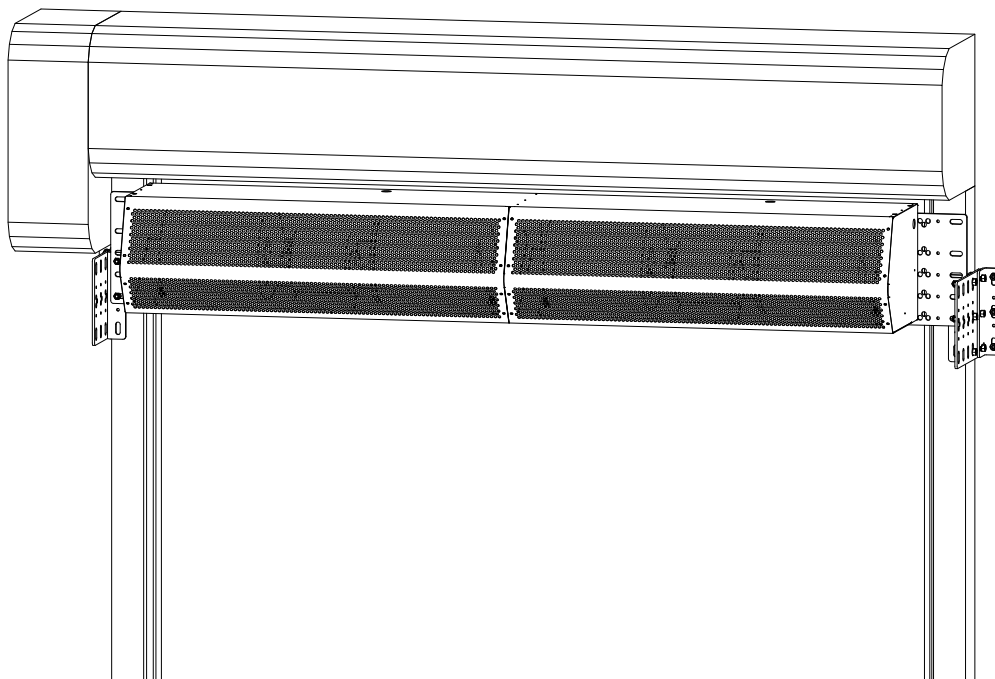
Vertical Dock Door, Overhead Mounting with [Vibration Isolation Kit](#) (K0101-K0105, K0108-K0113, K0501-K0512) (Unistruts and Hardware Not Included)



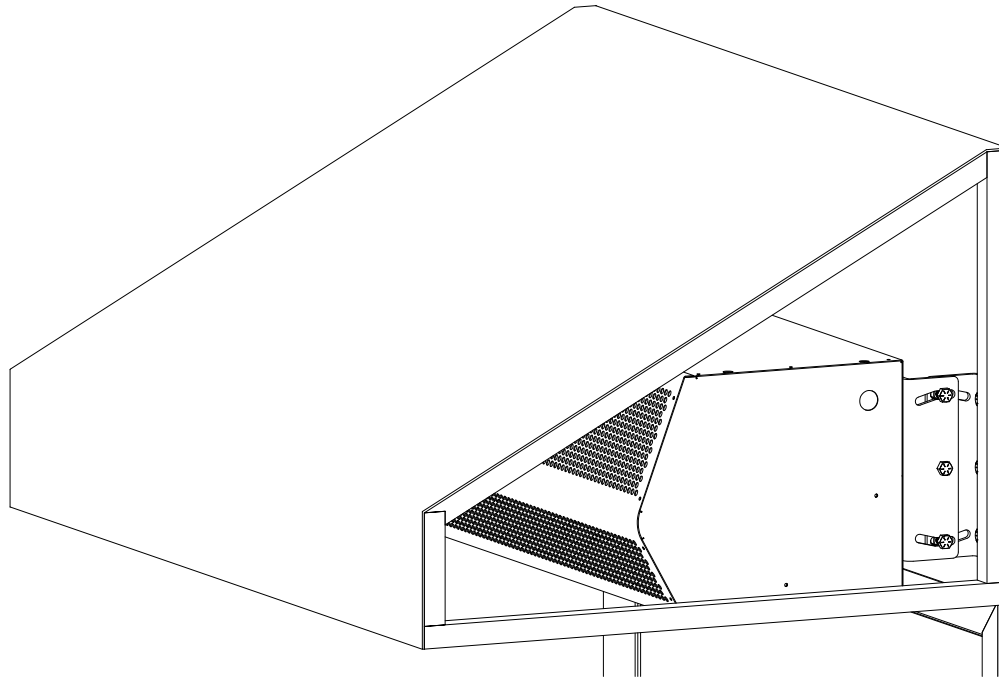
Vertical Dock Door with [Side Extension Brackets\(B0020\)](#)
and [Adjustable Combination Mounting Brackets \(B0005\)](#)



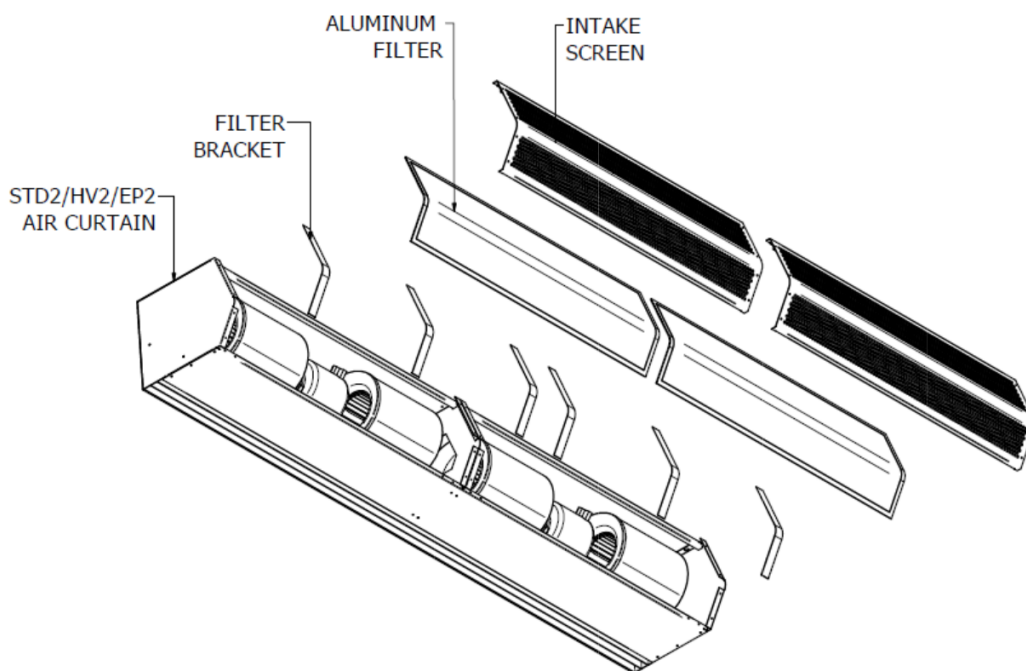
High Speed Door with [Side Extension Brackets\(B0020\)](#)
and [Adjustable Combination Mounting Brackets \(B0005\)](#)



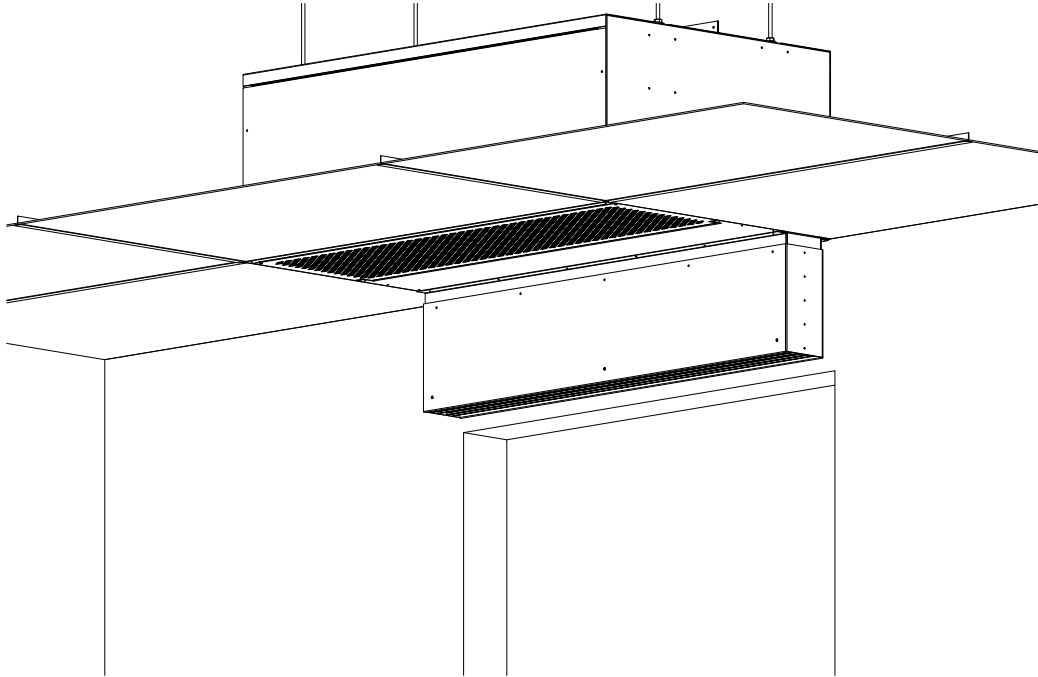
STD2 Series with [Harsh Weather Cover](#) (Side Shown Removed for Illustration)
(See [Submittals](#) for Part Numbers)



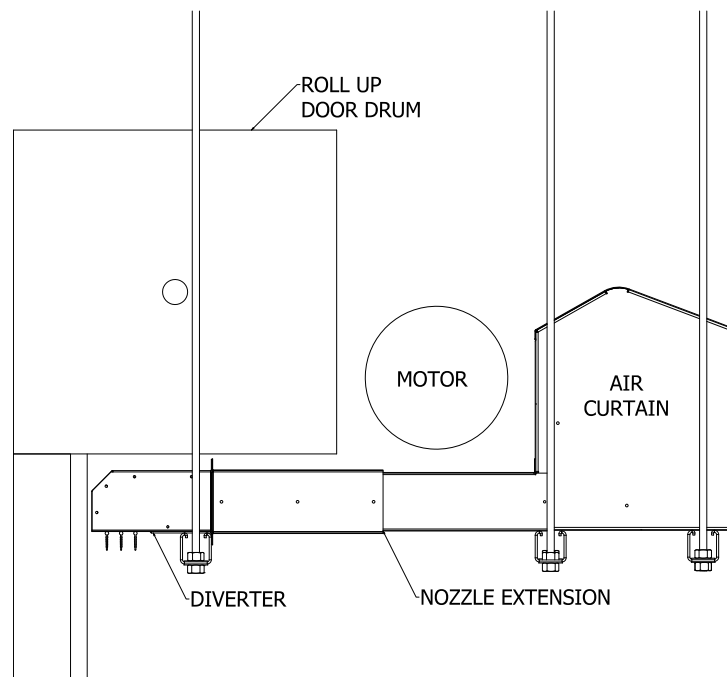
Series 2 (STD2/HV2/EP2) [Pressed Frame Aluminum Filters](#) Installation
(See [Submittals](#) for Part Numbers)



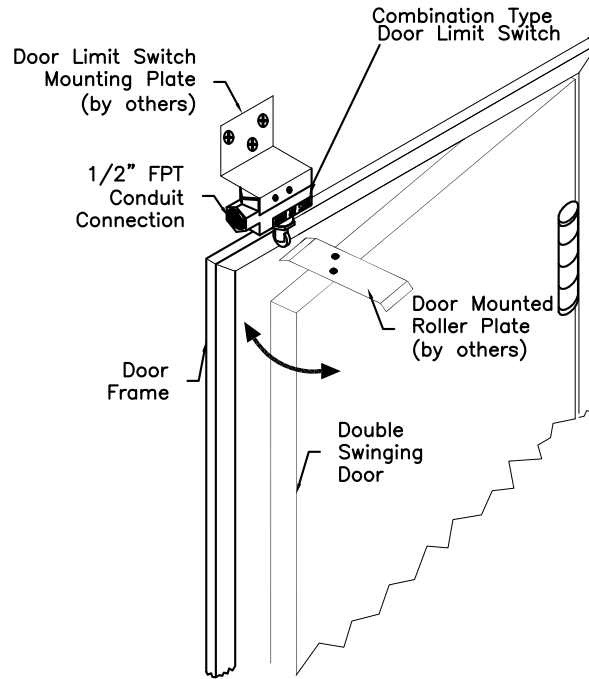
Phantom Series with Drop Ceiling and [Nozzle Extension \(10-336, 10-342, 10-348, 10-360, 10-364, 10-372\)](#)



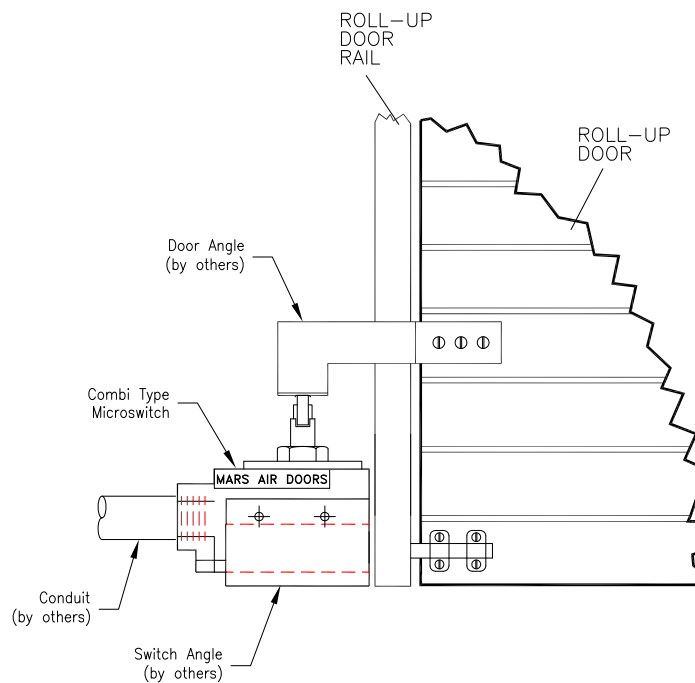
STD2 Series w/ [Nozzle Extension \(10-336, 10-342, 10-348, 10-360, 10-364, 10-372\)](#) and [Nozzle Diverter \(D0431, D0432, D0433, D0434, D0435, D0436\)](#)



Customer Entry / Service Door with [Combination Plunger/Roller Door Limit Switch \(99-014\)](#)

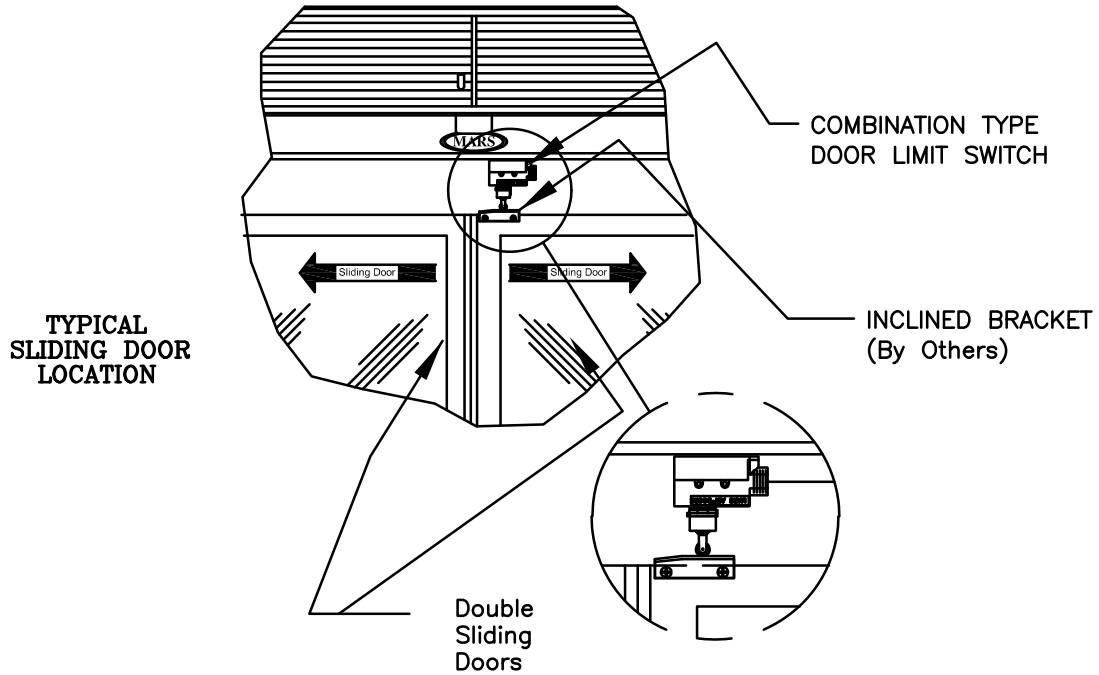


Roll-Up Door with [Combination Plunger/Roller Door Limit Switch \(99-014\)](#)



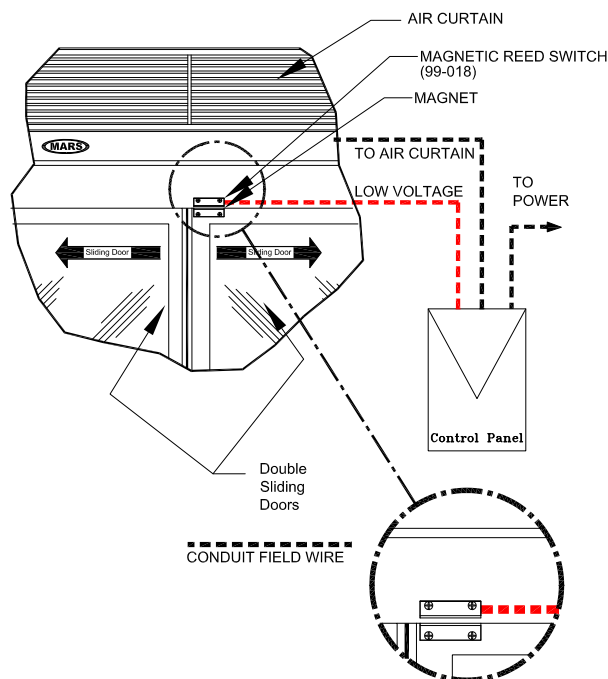
Sliding Door

with [Combination Plunger/Roller Door Limit Switch \(99-014\)](#)

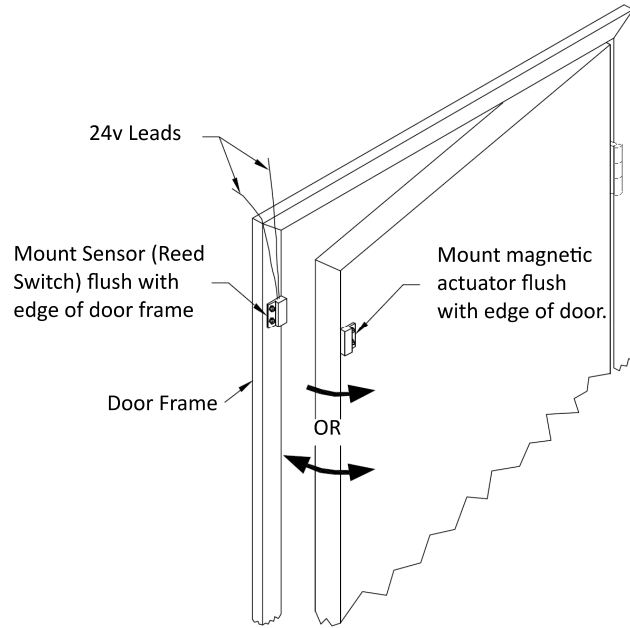


Sliding Door

with [Commercial Surface Mounted Magnetic Door Limit Switch \(99-018\)](#)



Customer Entry / Service Door Installation with [Commercial Surface Mounted Magnetic Door Limit Switch \(99-018\)](#)



Roll-Up Door with [Industrial Surface Mounted Magnetic Door Limit Switch \(99-125\)](#)

