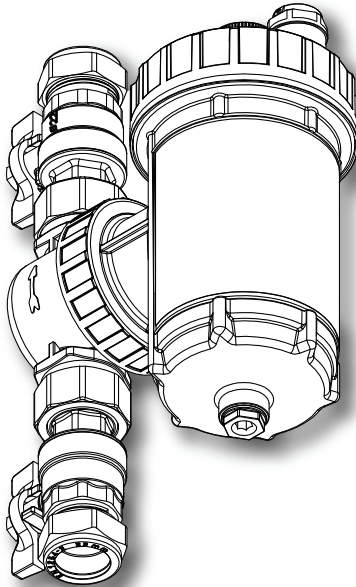


# IntaKlean 2

## Installation & Servicing Instructions



**Zilmet USA**  
400 Frenchtown Road  
East Greenwich, RI  
02818

In this procedure document we have endeavoured to make the information as accurate as possible.

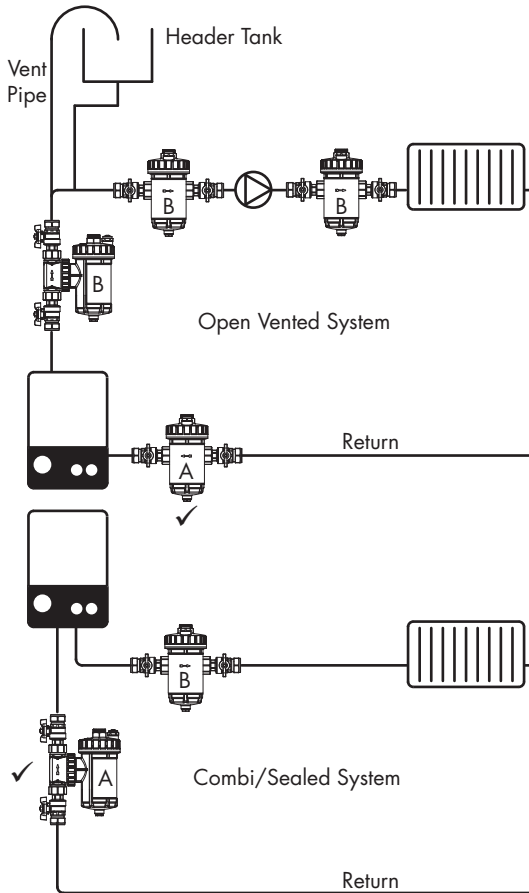
We cannot accept any responsibility should it be found that in any respect the information is inaccurate or incomplete or becomes so as a result of further developments or otherwise.

Tel: **401.884.4943**  
Fax: **401.287.4951**  
email: **info@zilmetusa.com**  
web: **www.zilmetusa.com**

## LOCATION

The IntaKlean 2 magnetic central heating system filter, featuring our innovative double gauze non-ferrous filter, is suitable for all central heating systems and can be fitted anywhere, in any orientation on the central heating circuit.

For maximum system protection however, we recommend that you fit the IntaKlean 2 on the return leg of the circuit, between the last radiator and the boiler.



In both diagrams, position A is best practice whilst position B is also suitable

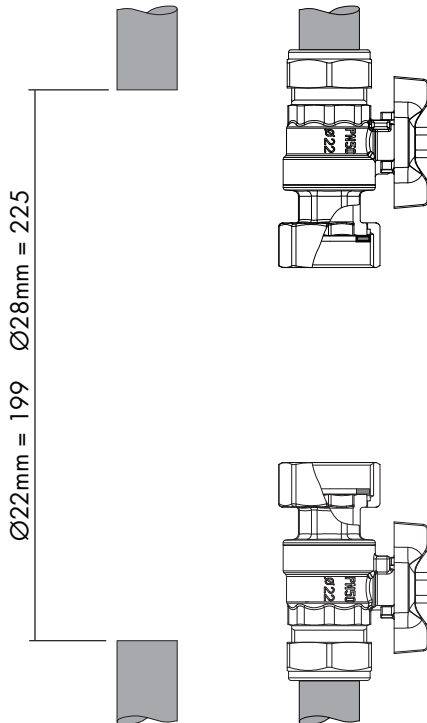
## LOCATION

Ensure that the system is drained down and all system pressure has been released.

On open vented systems, make sure that the feed and expansion tank is either isolated or "tied up".

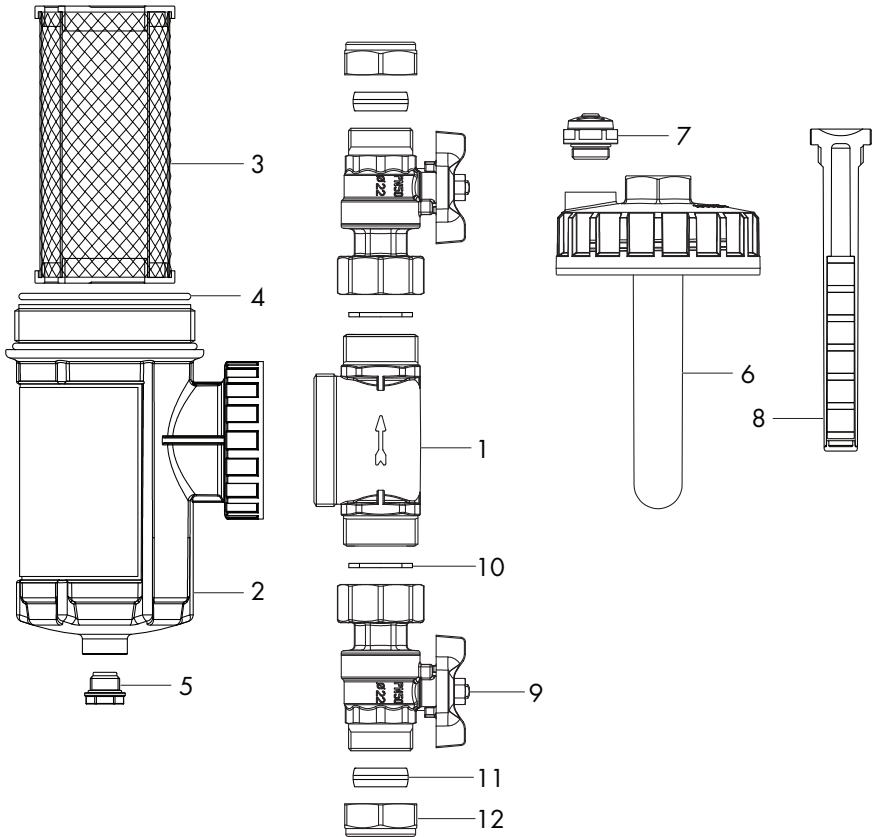
When siting the Intaklean 2 magnetic system filter, great care should be taken to place the filter so that you may still access the removable magnetic probe, screw cap, air bleed and drain plug. Doing this will aid the servicing of the filter and any chemical dosing in the future.

## INSTALLATION



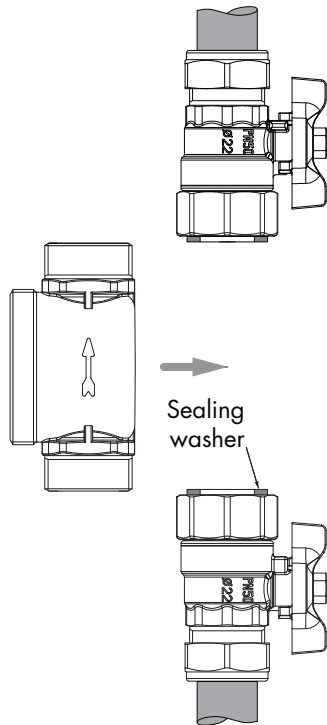
Having removed the prescribed section of pipework, make sure that the open ends of both pieces are free of debris and ready to receive the nut and olive. Fit both isolation valves but do not tighten fully.

## COMPONENTS



Item	Qty	Component	Item	Qty	Component
1	1	Connector block	7	1	Air vent
2	1	Filter pot	8	1	Removeable magnet
3	1	Double gauze filter	9	2	Ball valve
4	1	Cap seal	10	2	Ball valve seal
5	1	Drain plug	11	2	Olive
6	1	Screw cap	12	2	Compression nut

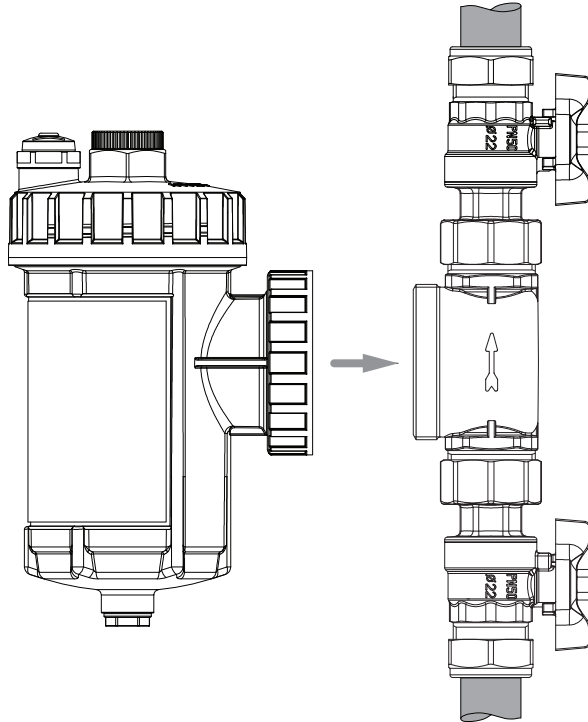
## INSTALLATION



Slip the connector block between the isolation valves, taking particular care to ensure that the directional arrow on the connector block is pointing in the direction of the flow of water. Failure to do so will result in reduced flow and inhibited filter performance.

Hand tighten the isolation valves to the connector block making sure that the rubber washers provided have been situated between the two. When you are happy that the connector block and isolation valves are facing an appropriate direction for the installation, fully tighten all four nuts.

## INSTALLATION



Present the filter to the connector block ensuring the air bleed is at the top and the drain plug is at the bottom. Gently push the filter into the connector block and when you are satisfied with the position of the filter, hand tighten. If further tightening is required, gentle pressure can be applied with a suitably sized set of pump pliers.

**WARNING - EXCESSIVE TIGHTENING OF THE CONNECTOR BLOCK/FILTER UNION MAY IRREPARABLY DAMAGE THE FILTER.**

Should you need to adjust the angle of the filter in relation to the pipework, simply slacken the connecting nut and rotate as required ensuring to retighten the union before commissioning the filter.

Your installation is now complete.

## COMMISSIONING

The commissioning procedure should be carried out as follows;

- 1 Open the lower isolation valve to the air bleed – leave the upper most isolation valve closed. The air bleed should be closed initially during commissioning.
- 2 Making sure that all open ends of the system are closed, begin to refill the system.
- 3 Bleed radiators as required.
- 4 Return to the IntaKlean 2 filter and open the air bleed until water flows from it.
- 5 Open the top isolation valve and allow the remaining system volume to fill.
- 6 Open the air bleed again to ensure all air has been removed from the filter.

**N.B.** – Air may continue to be present in system pipework for a small period as the central heating is run after installation of the IntaKlean 2. We recommend that you check the air bleed again to ensure that all air has been purged from the system.

## CLEANING AND SERVICING

We recommend that the IntaKlean 2 is serviced once every twelve months or in line with the servicing schedule of the boiler, or according to water conditions.

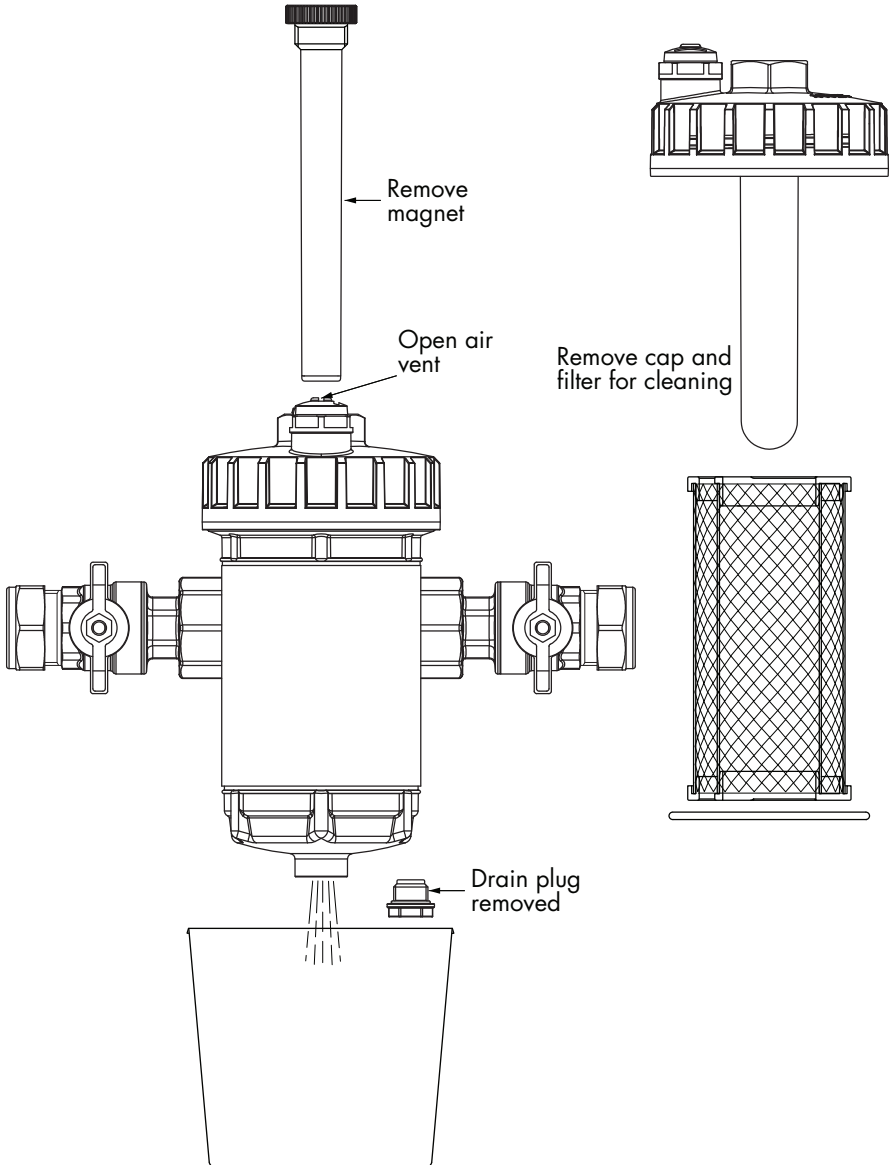
Prior to cleaning the IntaKlean 2, ensure that the working environment is safe.

Inta recommend that the boiler is turned off before commencing any maintenance works. Caution should also be taken regarding the temperature of the contents of the filter.

Firstly, turn the isolation valves to the closed position. Then, open the air bleed to relieve any system pressure.

1. Isolate IntaKlean 2 from the system by shutting both the isolating ball valves.
2. Unscrew the magnet from the filter screw cap, leaving the screw cap in situ.
3. Place a suitable container underneath the filter and remove the drain plug from the base of the filter using an alan key or adjustable spanner.
4. Allow the filter contents to drain into the container and replace the drain plug.
5. Screw the magnet back into the filter screw cap and unscrew the complete filter cap assembly from the filter body.
6. Remove the double gauze non-ferrous mesh filter from the filter body.
7. Remove any residual debris from both the non-ferrous filter and screw cap using a soft cloth or disposable paper towel and rinse in clean water.
8. Re-assemble the filter and re-commission as detailed in the **COMMISSIONING** section of these instructions. Ensure that the **SERVICE SCHEDULE** is completed each time the filter is serviced.

## CLEANING AND SERVICING





---

## CHEMICAL DOSING

To dose the system using the Intaklean 2, follow the below procedure;

1. Ensure the working environment is safe and the boiler is turned off at the switch.
2. Isolate IntaKlean 2 from the system by shutting both the isolating ball valves.
3. Place a suitable container underneath the filter and remove the drain plug from the base of the filter using an Allen key or adjustable spanner.
4. Allow the filter contents to drain into the container and replace the drain plug.
5. Remove the screw cap from the filter body and add any dosing chemicals as required.
6. Replace the filter screw cap and open the isolation valves to introduce the dosing chemicals into the circulating system fluid.
7. Re-commission the system as per the previous instructions in the **COMMISSIONING** section.
8. Complete the **SERVICE SCHEDULE** at the back of this instruction booklet.

## TECHNICAL SUPPORT & WARRANTY

The IntaKlean 2 magnetic central heating system filter is covered by a two year warranty against manufacturing fault.

To register your product for warranty, please visit [www.zilmetusa.com](http://www.zilmetusa.com)

For technical assistance, please contact our dedicated technical support line one 401.884.4943

## SERVICE SCHEDULE

Service Number	Date	Attending engineer	Tick as appropriate			
			Filter contents drained	Filter disassembled and cleaned	Inhibitor added	System cleanser added
1						
2						
3						
4						
5						
6						
7						
8						
9						
10						



---

## NOTES



---

## NOTES

Please Leave this Manual for the User

To activate your product warranty please visit  
**[www.zilmetusa.com](http://www.zilmetusa.com)**  
and click on Product Registration



**Zilmet USA**

400 Frenchtown Road  
East Greenwich RI,  
02818

Tel: **401.884.4943**

Fax: **401.287.4951**

email: **[info@zilmetusa.com](mailto:info@zilmetusa.com)**

web: **[www.zilmetusa.com](http://www.zilmetusa.com)**