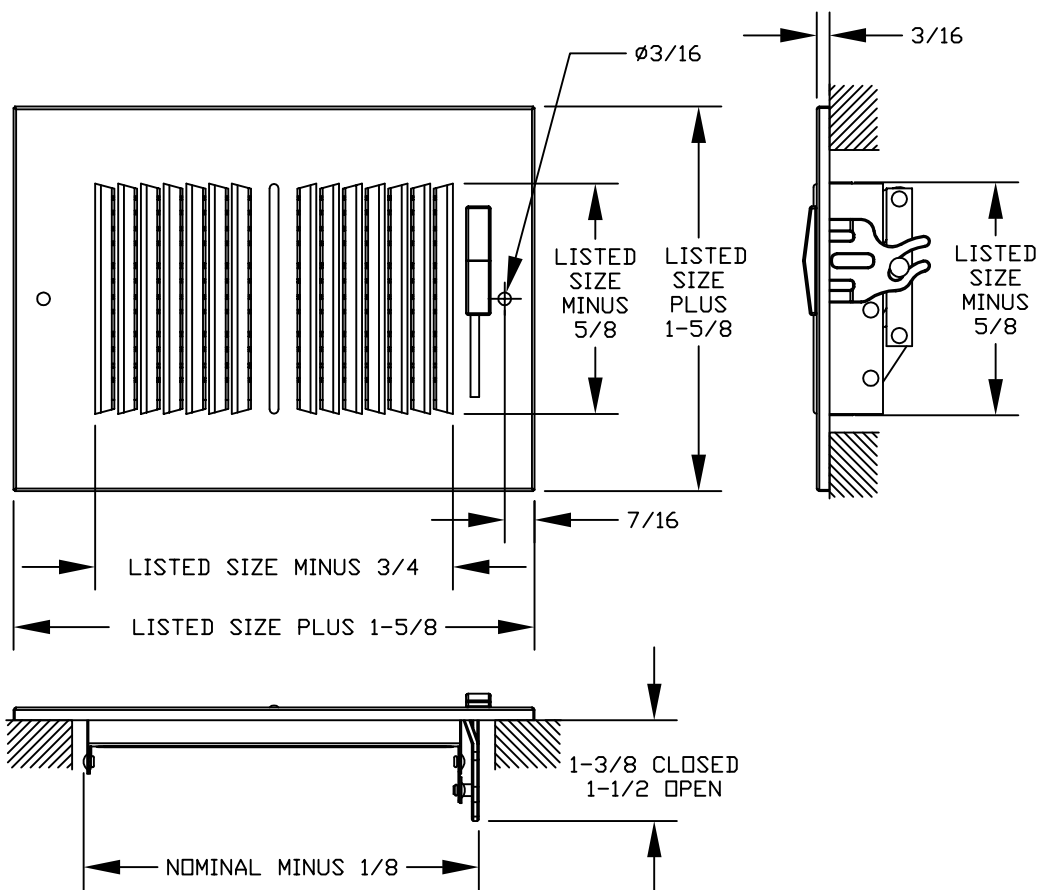


- STEEL CONSTRUCTION
- INTEGRAL STEEL MULTI-SHUTTER DAMPER
- 1/3 INCH SPACED FINS SET AT 45 DEGREES
- CAN BE USED FOR CEILING OR SIDEWALLS, HEATING OR COOLING
- MINIMUM SIZE = 6 X 4
- MAXIMUM SIZE = 30 X 8
- FINISH: WHITE (W) ENAMEL



JOB NAME: _____	SUBMITTED BY: _____	DATE: 10/30/2020	SD-2417
LOCATION: _____		661 Steel 2-Way Stamped Face Register	
ARCHITECT: _____			
ENGINEER: _____			
CONTRACTOR: _____			