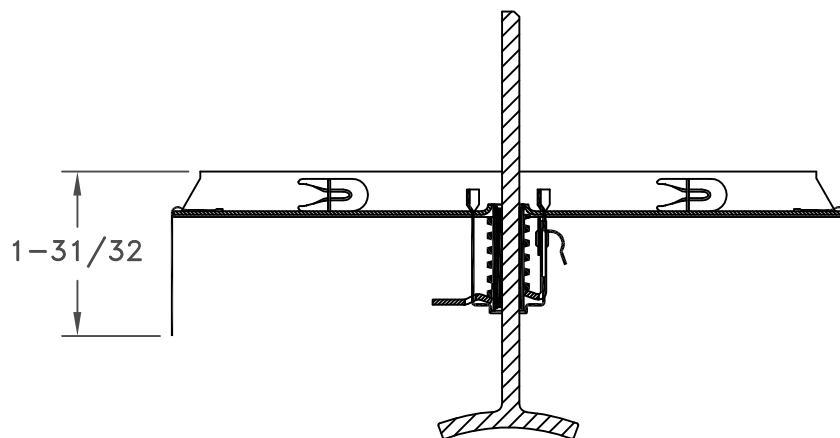
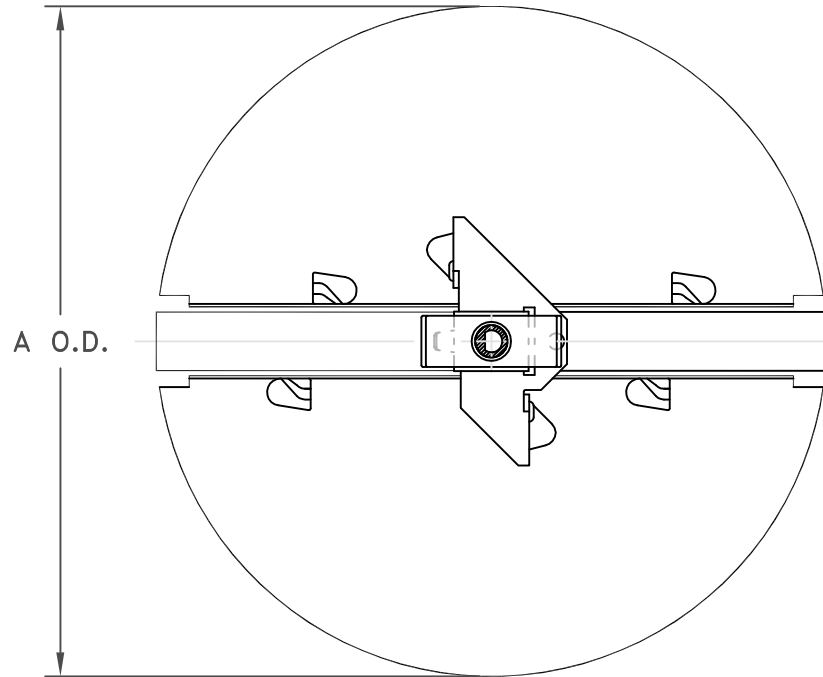


- .025 STEEL CONSTRUCTION
- MOUNTS DIRECTLY INTO NO. 5400 T – BAR SERIES DUCT COLLARS
- REMOVABLE ADJUSTMENT HANDLE OPERATES THROUGH THE DIFFUSER FACE
- 6, 8, 10, 12, 14 INCH DIAMETERS AVAILABLE
- FINISH: GOLDEN SAND (GS) ENAMEL



SIZE	A O.D.
6	5-11/16
8	7-11/16
10	9-11-16
12	11-11/16
14	13-11/16

JOB NAME: _____	SUBMITTED BY: _____	DATE: 8/5/2013	SD-9500
LOCATION: _____		3800 Steel Butterfly Damper	
ARCHITECT: _____			
ENGINEER: _____			
CONTRACTOR: _____			