



**GAS-FIRED MOBILE HOME FURNACE
DOWN FLOW & DIRECT VENT (SEALED COMBUSTION)
FURNACE SPECIFICATIONS**

MODEL NO.	GMA1-60		GMA1-75		GMC1-60		GMC1-75	
HEAT INPUT RATE (BTUH)	60,000		75,000		60,000		75,000	
OUTPUT (BTUH)¹	48,000		60,000		48,000		60,000	
SEASONAL EFFICIENCY²	80		80		80		80	
LARGEST REC A/C³	4 TONS		4 TONS		4 TONS		4 TONS	
FUEL	NAT	LP	NAT	LP	NAT	LP	NAT	LP
BURNER ORIFICE	#28	#43	#22	#39	#28	#43	#22	#39
GAS SUPPLY PRESSURE (IN W.G.)								
MINIMUM REQUIRED	5.5	11	5.5	11	5.5	11	5.5	11
MAXIMUM ALLOWED	14.0	14.0	14.0	14.0	14.0	14.0	14.0	14.0
GAS MANIFOLD PRESSURE (IN W.G.)	3.5±0.3	10±0.3	3.5±0.3	10±0.3	3.5±0.3	10±0.3	3.5±0.3	10±0.3
NOMINAL TEMP. RISE	60°		60°		60°		60°	
VENT PIPE SIZE (IN.)	5" NOMINAL CONCENTRIC VENT				5" NOMINAL CONCENTRIC VENT			
CASING HEIGHT (IN.)	60"				76"			
CASING WIDTH (IN.)	19 7/8"				19 7/8"			
CASING DEPTH (IN.)	25 1/16"				25 1/16"			
APPROX. SHIPPING WEIGHT (LBS.)	165 LBS.				190 LBS.			
APPROVAL AGENCY	ETL				ETL			
SIZE OF FILTER	18" X 20" (2)				18" X 20" (2)			
ELECTRICAL REQUIREMENTS	115 VAC/ 60 HZ/ 1 PHASE				115 VAC/ 60 HZ/ 1 PHASE			
MAX FUSE SIZE	20 AMPS				20 AMPS			
TOTAL RATED CURRENT AMPS.	12.63				12.63			
SUPPLY AIR OUTLET SIZE (W-IN X D-IN)	15" X 15"				15" X 15"			
RETURN AIR INLET OPENING SIZE	15 1/4" X 38 1/4" LOUVERED				15 1/4" X 38 1/4" LOUVERED			
NOMINAL HEAT ANTICIPATOR SETTING	0.8 mA				0.8 mA			
	ACCESSORY ITEMS							
DUCT CONNECTOR	DC-BASE				DC-BASE			
COIL CABINET	CE118S				--			
CONCENTRIC ROOF JACK 20" TO 36"	TRJC-2				TRJC-2			
CONCENTRIC ROOF JACK 27" TO 47"	TRJC-3				TRJC-3			
SLOPE ADAPTOR 2-1/2-12	TSA-25				TSA-25			
SLOPE ADAPTOR 3-1/2-12	TSA-30				TSA-30			

¹ OUTPUT BTUH BASED ON ANNUAL FUEL UTILIZATION EFFICIENCY RATED BY MANUFACTURER.

² SEASONAL EFFICIENCY (ALSO CALLED AFUE-ANNUAL FUEL UTILIZATION EFFICIENCY) RATINGS ARE BASED ON TESTS FOLLOWING U.S. DEPARTMENT OF ENERGY TEST PROCEDURES.

³ TO PERMIT LARGEST RECOMMENDED AIR CONDITIONING (AT .3 STATIC PRESSURE), SELECTION OF THE HIGHEST MOTOR SPEED IS REQUIRED.

GAS FIRED MOBILE HOME FURNACE SPECIFICATIONS

MODEL NUMBER DIGIT	1	2	3	4	5	6	7	8	9	10	
	FUEL	MOBILE HOME	CONFIGURATION	VERSION		INPUT		BLOWER TYPE	CLG. AIRFLOW CAP.	GAS TYPE	
GAS FURNACE MODEL NOMENCLATURE EXAMPLE MODEL NUMBERS	G	M	A	1	-	6	0	D	4	8	N
	G	M	A	1	-	7	5	D	4	8	N
	G	M	C	1	-	6	0	D	4	8	N
	G	M	C	1	-	7	5	D	4	8	N
G= GAS	G										
M= MOBILE HOME		M									
A= DOWNFLOW, C= DOWNFLOW W/ COIL CASE			A								
VERSION				1							
INPUT IN MBTUH (1000'S)					-						
BLOWER TYPE D=DIRECT DRIVE PSC						7	5	D			
MAX. CLG. CAP. IN 1,000BTU									4	8	
N= NATURAL GAS L= LIQUID PROPANE										N	

GAS FIRED MOBILE HOME FURNACE SPECIFICATIONS

CLEARANCES TO COMBUSTIBLES

MODELS: GMA1-60 / GMA1-75 GMC1-60 / GMC1-75	CLOSET	ALCOVE
FRONT	6"	18"
BACK	0"	0"
SIDES	0"	0"
ROOF JACK	0"	0"
TOP	2"	2"
PLENUM SIDES	1/4"	1/4"
TOP AND SIDES OF DUCT	1"	1"
BOTTOM DUCT	1"	1"

BLOWER DATA

FURNACE MODEL	GMA1-60	GMC1-60	GMA1-75	GMC1-75
BLOWER MODEL	12-8T	12-8T	12-8T	12-8T
MOTOR H.P.	¾ HP	¾ HP	¾ HP	¾ HP
NO. OF SPEEDS	4	4	4	4
HIGH SPEED AIRFLOW (SCFM) @ 0.3 IN. W.G. EXTERNAL STATIC PRESSURE	1460	1460	1460	1460
DIAMETER X WIDTH	11 X 8	11 X 8	11 X 8	11 X 8

GAS FIRED MOBILE HOME FURNACE SPECIFICATIONS

GMA1-60

ALTERATIONS REQ'D FOR A/C @ DESIGN EXTERNAL STATIC PRESSURE		
COOLING UNIT	HTG Speed	Recommended CLG Speed
24,000	LOW	LOW
30,000	LOW	MEDIUM LOW
36,000	LOW	MEDIUM HIGH
42,000	LOW	MEDIUM HIGH
48,000	LOW	HIGH

Speed Tap \ Static Pressure	Furnace Airflow (CFM) vs. External Static pressure (in. WC.)						
	0.1	0.2	0.3	0.4	0.5	0.6	0.7
Low	735	721	707	683	621	586	536
ML	951	939	924	897	880	845	766
MH	1304	1260	1254	1207	1178	1221	1057
High	1551	1513	1466	1430	1369	1314	1244

Speed Tap \ Static Pressure	Temperature Rise vs. External Static Pressure (in. WC.)						
	0.1	0.2	0.3	0.4	0.5	0.6	0.7
Low	60	61	62	65	71	75	82
ML	46	47	48	49	50	52	58
MH	34	35	35	36	37	39	42
High	28	29	30	31	32	33	35

Speed Tap \ Static Pressure	Furnace Motor Current Draw (Amps) vs. External Static pressure (in. WC.)						
	0.1	0.2	0.3	0.4	0.5	0.6	0.7
Low	3.01	2.95	2.90	2.82	2.70	2.62	2.53
ML	4.06	3.84	3.75	3.62	3.48	3.34	3.13
MH	5.43	5.29	5.16	5.01	4.74	4.58	4.31
High	6.63	6.49	6.30	6.17	5.96	5.76	5.54

Speed Tap \ Static Pressure	Furnace Motor Watts vs. External Static pressure (in. WC.)						
	0.1	0.2	0.3	0.4	0.5	0.6	0.7
Low	296	294	292	290	279	276	268
ML	411	397	390	378	370	361	342
MH	582	572	560	542	529	506	482
High	734	724	705	694	671	658	632

 = Recommended operation range

GAS FIRED MOBILE HOME FURNACE SPECIFICATIONS

GMA1-75

ALTERATIONS REQ'D FOR A/C @ DESIGN EXTERNAL STATIC PRESSURE		
COOLING UNIT	HTG Speed	Recommended CLG Speed
24,000	MED LOW	LOW
30,000	MED LOW	MEDIUM LOW
36,000	MED LOW	MEDIUM HIGH
42,000	MED LOW	MEDIUM HIGH
48,000	MED LOW	HIGH

Speed Tap \ Static Pressure	Furnace Airflow (CFM) vs. External Static pressure (in. WC.)						
	0.1	0.2	0.3	0.4	0.5	0.6	0.7
Low	735	721	707	683	621	586	536
ML	951	939	924	897	880	845	766
MH	1304	1260	1254	1207	1178	1221	1057
High	1551	1513	1466	1430	1369	1314	1244

Speed Tap \ Static Pressure	Temperature Rise vs. External Static Pressure (in. WC.)						
	0.1	0.2	0.3	0.4	0.5	0.6	0.7
Low	75	77	78	81	89	94	103
ML	58	59	60	61	63	65	72
MH	42	44	44	46	47	49	52
High	35	36	37	38	40	42	44

Speed Tap \ Static Pressure	Furnace Motor Current Draw (Amps) vs. External Static pressure (in. WC.)						
	0.1	0.2	0.3	0.4	0.5	0.6	0.7
Low	3.01	2.95	2.90	2.82	2.70	2.62	2.53
ML	4.06	3.84	3.75	3.62	3.48	3.34	3.13
MH	5.43	5.29	5.16	5.01	4.74	4.58	4.31
High	6.63	6.49	6.30	6.17	5.96	5.76	5.54

Speed Tap \ Static Pressure	Furnace Motor Watts vs. External Static pressure (in. WC.)						
	0.1	0.2	0.3	0.4	0.5	0.6	0.7
Low	296	294	292	290	279	276	268
ML	411	397	390	378	370	361	342
MH	582	572	560	542	529	506	482
High	734	724	705	694	671	658	632

= Recommended operation range

GAS FIRED MOBILE HOME FURNACE SPECIFICATIONS

GMC1-60

ALTERATIONS REQ'D FOR A/C @ DESIGN EXTERNAL STATIC PRESSURE		
COOLING UNIT	HTG Speed	Recommended CLG Speed
24,000	LOW	LOW
30,000	LOW	MEDIUM LOW
36,000	LOW	MEDIUM HIGH
42,000	LOW	MEDIUM HIGH
48,000	LOW	HIGH

Speed Tap \ Static Pressure	Furnace Airflow (CFM) vs. External Static pressure (in. WC.)						
	0.1	0.2	0.3	0.4	0.5	0.6	0.7
Low	743	712	698	656	612	562	515
ML	931	923	891	863	847	789	727
MH	1309	1267	1241	1198	1141	1099	1036
High	1561	1504	1458	1392	1327	1261	1182

Speed Tap \ Static Pressure	Temperature Rise vs. External Static Pressure (in. WC.)						
	0.1	0.2	0.3	0.4	0.5	0.6	0.7
Low	59	62	63	67	72	79	86
ML	47	48	49	51	52	56	61
MH	33	35	35	37	38	40	42
High	28	29	30	31	33	35	37

Speed Tap \ Static Pressure	Furnace Motor Current Draw (Amps) vs. External Static pressure (in. WC.)						
	0.1	0.2	0.3	0.4	0.5	0.6	0.7
Low	3.04	2.93	2.88	2.79	2.72	2.64	2.53
ML	3.85	3.78	3.66	3.55	3.45	3.31	3.15
MH	5.40	5.23	5.06	4.88	4.70	4.52	4.30
High	6.60	6.41	6.22	6.04	5.85	5.65	5.43

Speed Tap \ Static Pressure	Furnace Motor Watts vs. External Static pressure (in. WC.)						
	0.1	0.2	0.3	0.4	0.5	0.6	0.7
Low	301	298	294	290	282	277	269
ML	387	391	381	374	369	353	345
MH	582	565	551	535	516	505	481
High	735	717	702	678	661	639	617

= Recommended operation range

GAS FIRED MOBILE HOME FURNACE SPECIFICATIONS

GMC1-75

ALTERATIONS REQ'D FOR A/C @ DESIGN EXTERNAL STATIC PRESSURE		
COOLING UNIT	HTG Speed	Recommended CLG Speed
24,000	MED LOW	LOW
30,000	MED LOW	MEDIUM LOW
36,000	MED LOW	MEDIUM HIGH
42,000	MED LOW	MEDIUM HIGH
48,000	MED LOW	HIGH

Speed Tap \ Static Pressure	Furnace Airflow (CFM) vs. External Static pressure (in. WC.)						
	0.1	0.2	0.3	0.4	0.5	0.6	0.7
Low	743	712	698	656	612	562	515
ML	931	923	891	863	847	789	727
MH	1309	1267	1241	1198	1141	1099	1036
High	1561	1504	1458	1392	1327	1261	1182

Speed Tap \ Static Pressure	Temperature Rise vs. External Static Pressure (in. WC.)						
	0.1	0.2	0.3	0.4	0.5	0.6	0.7
Low	74	78	79	84	90	98	107
ML	59	60	62	64	65	70	76
MH	42	43	44	46	48	50	53
High	35	36	38	39	41	44	47

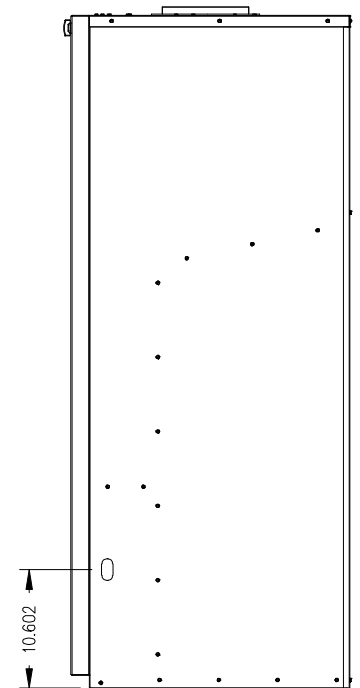
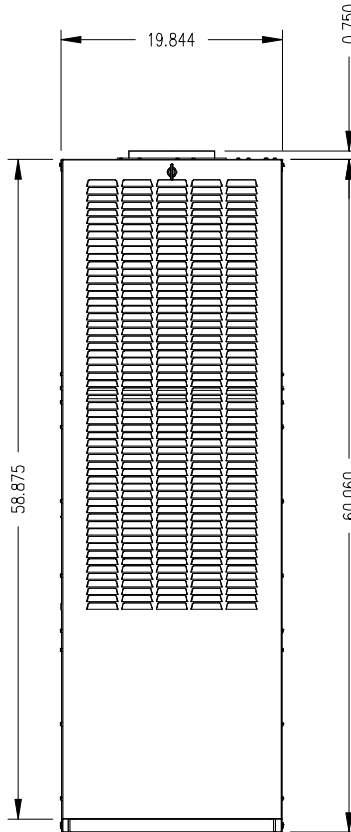
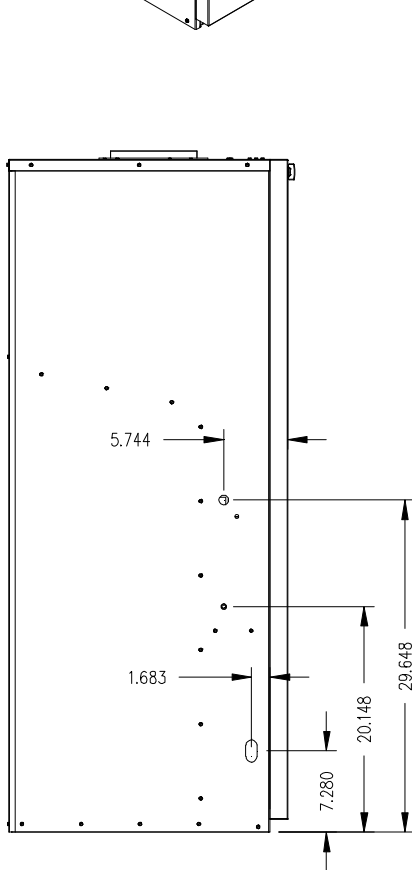
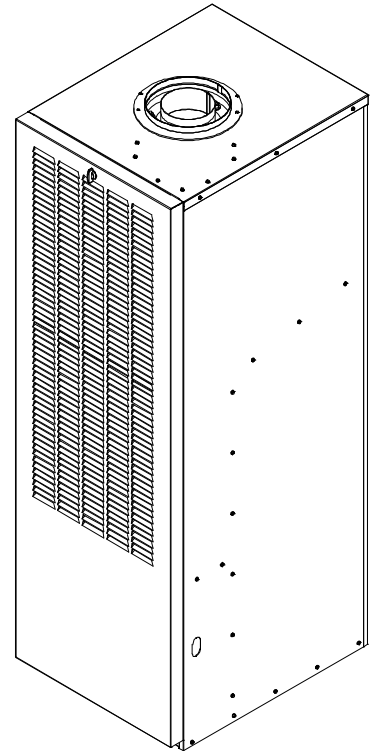
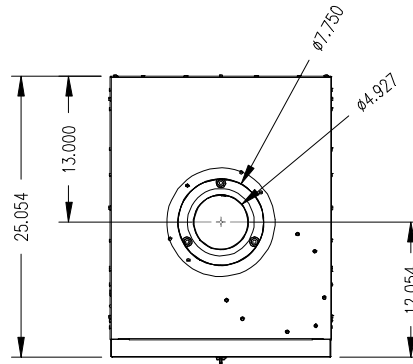
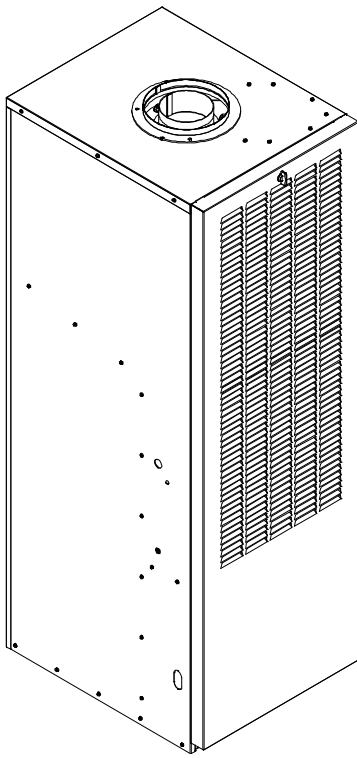
Speed Tap \ Static Pressure	Furnace Motor Current Draw (Amps) vs. External Static pressure (in. WC.)						
	0.1	0.2	0.3	0.4	0.5	0.6	0.7
Low	3.04	2.93	2.88	2.79	2.72	2.64	2.53
ML	3.85	3.78	3.66	3.55	3.45	3.31	3.15
MH	5.40	5.23	5.06	4.88	4.70	4.52	4.30
High	6.60	6.41	6.22	6.04	5.85	5.65	5.43

Speed Tap \ Static Pressure	Furnace Motor Watts vs. External Static pressure (in. WC.)						
	0.1	0.2	0.3	0.4	0.5	0.6	0.7
Low	301	298	294	290	282	277	269
ML	387	391	381	374	369	353	345
MH	582	565	551	535	516	505	481
High	735	717	702	678	661	639	617

= Recommended operation range

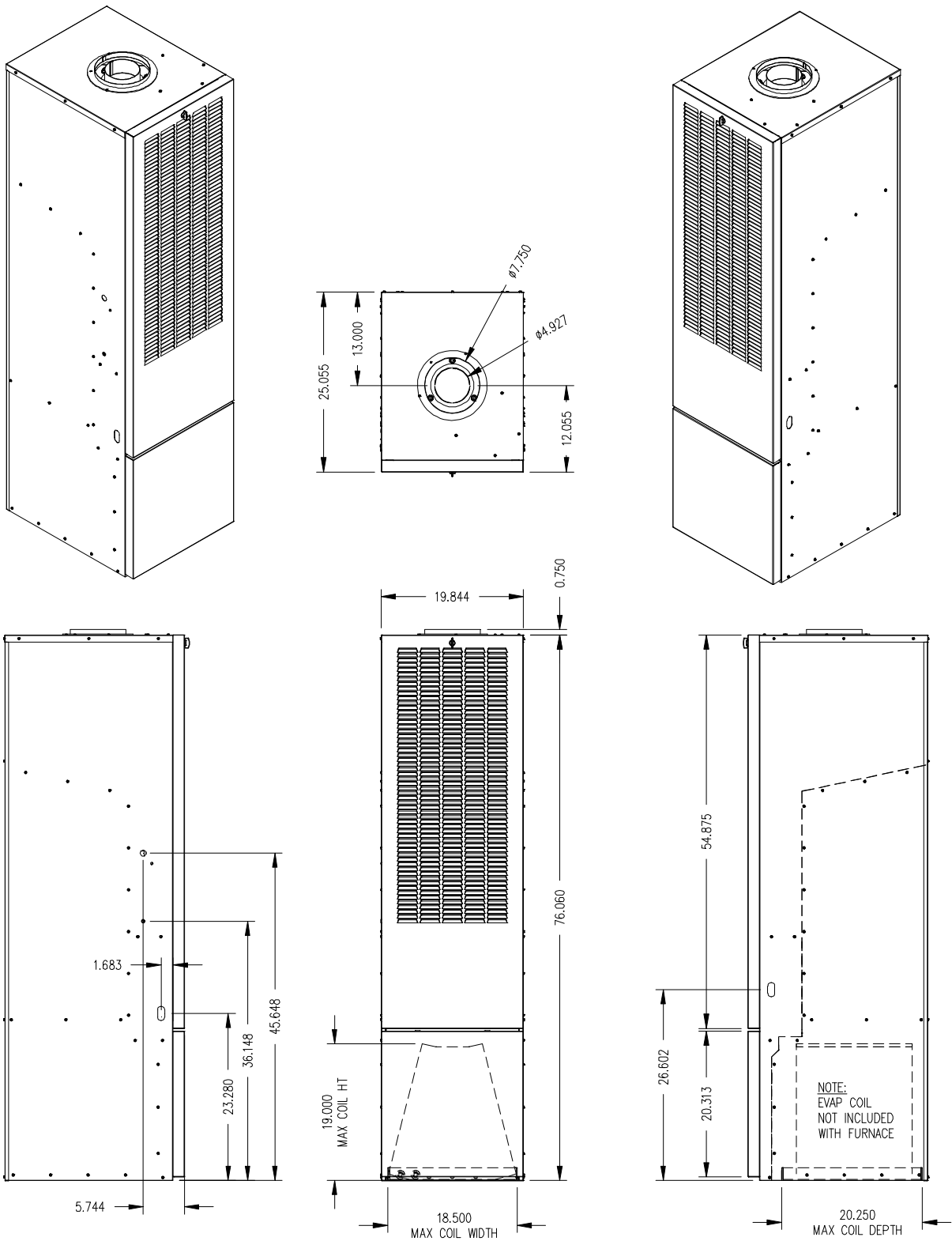
GAS FIRED MOBILE HOME FURNACE SPECIFICATIONS

GMA1



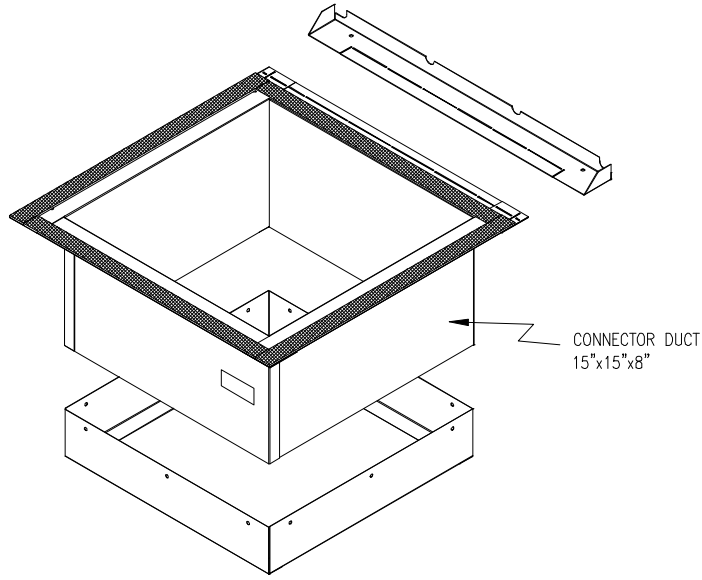
GAS FIRED MOBILE HOME FURNACE SPECIFICATIONS

GMC1

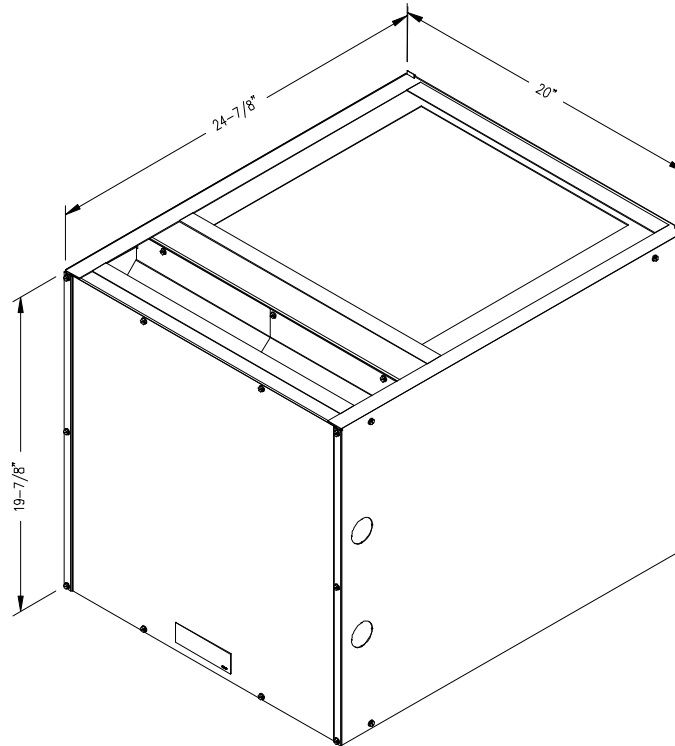


GAS FIRED MOBILE HOME FURNACE SPECIFICATIONS

ACCESSORIES



Combustible Floor Base Model: DC-BASE



Coil Cabinet Model: CE118S

GAS FIRED MOBILE HOME FURNACE SPECIFICATIONS

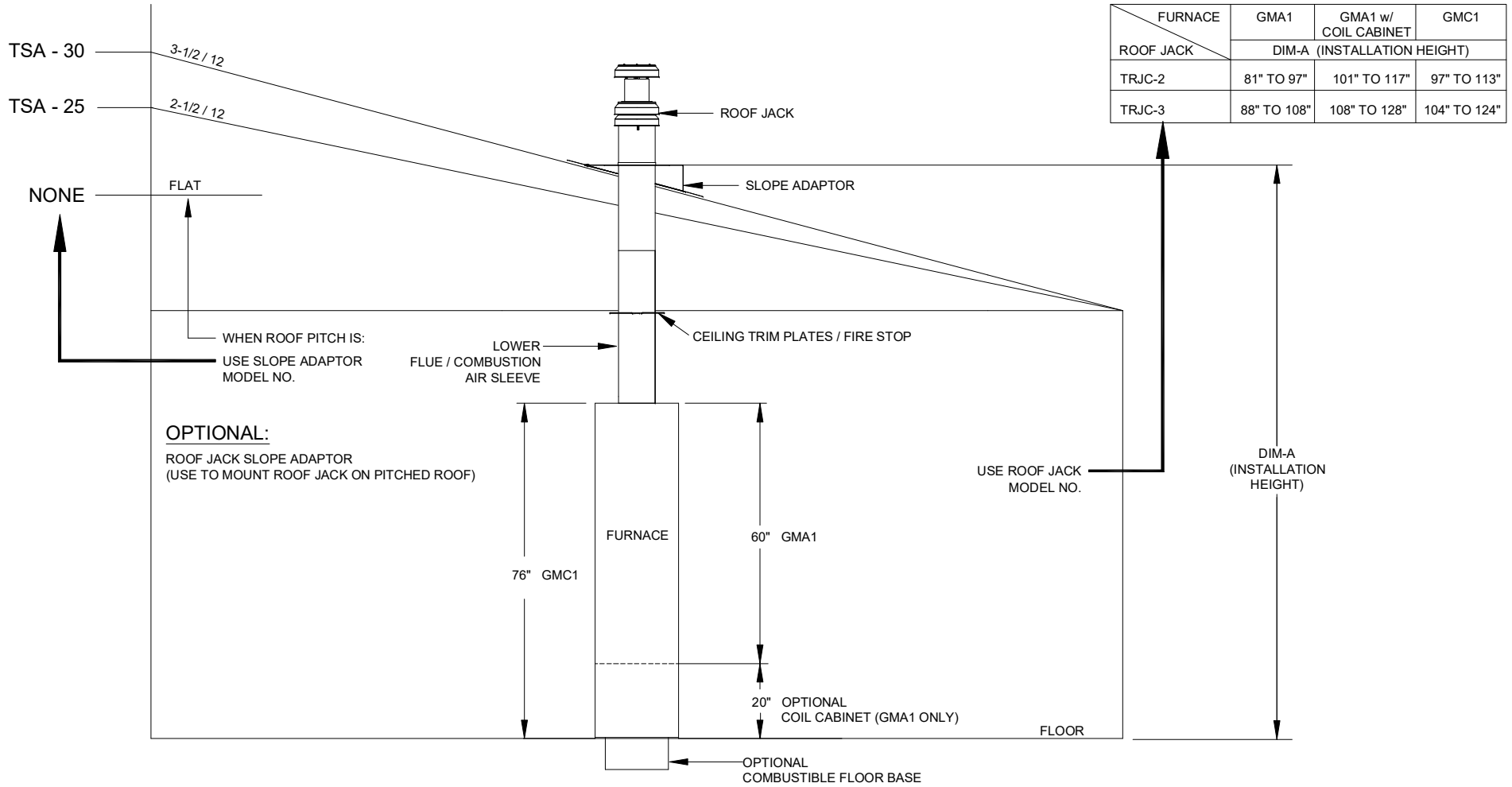
EVAPORATOR COIL APPLICATION

C O U N T E R F L O W	Furnace Model Number	AC Tonnage	Line Set	Coil Cabinet	Coil Model Number	Capacity	EER	SEER	AHRI Reference Number
		GMA1-60D48N GMA1-75D36N	2	LS01E-30	CE118S	HE33936UA170	23000	12.20	14.00
-					-	-	-	-	-
LS01E-50				CE118S	HE33936UA170	23600	12.50	15.00	9136145
				-	-	-	-	-	-
2.5			LS01E-30	CE118S	HE33936UA170	29400	11.70	14.00	9136137
				-	-	-	-	-	-
			LS01E-50	CE118S	HE33936UA170	28000	12.50	15.00	9136147
				-	-	-	-	-	-
3			LS01E-30	CE118S	HE33936UA170	34400	11.70	14.00	9136139
				-	-	-	-	-	-
			LS01E-50	CE118S	HE33936UA170	34800	12.20	15.00	9136149
				-	-	-	-	-	-
3.5		LS02E-30	CE118S	M60E34948UA180	41000	12.50	15.00	205897287	
			-	-	-	-	-	-	
4		LS02E-30	CE118S	M60E34948UA180	46500	11.50	14.00	205900239	
			-	-	-	-	-	-	
	LS02E-50	CE118S	M60E34948UA180	44500	12.20	15.00	205900245		
		-	-	-	-	-	-		

C O U N T E R F L O W	Furnace Model Number	AC Tonnage	Line Set	Coil Model Number	Capacity	EER	SEER	AHRI Reference Number
		GMC1-60D48N GMC1-75D36N	2	LS01E-30	HE33936UA170	23000	12.20	14.00
-					-	-	-	-
LS01E-50				HE33936UA170	23600	12.50	15.00	9136145
				-	-	-	-	-
2.5			LS01E-30	HE33936UA170	29400	11.70	14.00	9136137
				-	-	-	-	-
			LS01E-50	HE33936UA170	28000	12.50	15.00	9136147
				-	-	-	-	-
3			LS01E-30	HE33936UA170	34400	11.70	14.00	9136139
				-	-	-	-	-
			LS01E-50	HE33936UA170	34800	12.20	15.00	9136149
				-	-	-	-	-
3.5		LS02E-30	M60E34948UA180	41000	12.50	15.00	205897287	
			-	-	-	-	-	
4		LS02E-30	M60E34948UA180	46500	11.50	14.00	205900239	
			-	-	-	-	-	
	LS02E-50	M60E34948UA180	44500	12.20	15.00	205900245		
		-	-	-	-	-		

GAS FIRED MOBILE HOME FURNACE SPECIFICATIONS

ROOF JACK



ACCESSORY OPTIONS:

FURNACE COMBUSTIBLE FLOOR BASE FOR O.E.M. AND REPLACEMENT INSTALLATIONS IN MOBILE HOMES MODEL NO. DC-BASE
 FURNACE COIL CABINET FOR GMA1* ONLY, INSTALLATION 2-4 TON MODEL NO. CE118S