

Job Name _____
 Job Location _____
 Engineer _____
 Approval _____

Contractor _____
 Approval _____
 Contractor's P.O. No. _____
 Representative _____

Series GBV

2-Piece, Brass Gas Ball Valves

Sizes: 3/8" – 1"

Series GBV 2-Piece, Brass Gas Ball Valves are used in residential and commercial applications for manufactured natural gas and LP gas on in-house and indoor piping systems. They feature a brass ball and stem, PTFE seats and packing, brass end piece and plug, and zinc alloy handle. Series GBV complies with ANSI standards for gas piping and is UL, CSA, and MEA approved.

Features

- 2-piece body
- UL approved @ 5psi (34.2 kPa)
- Approved by CSA @ 1/2, 2 and 5psi (3, 14 and 34 kPa)
- Tested under standards Z21.15 IAS requirement

Specifications

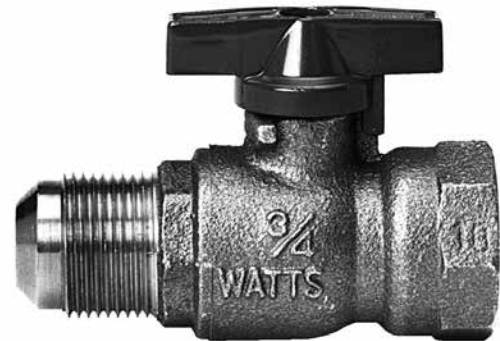
A 2-piece, brass gas ball valve to be installed as indicated on the plans. The valve must have PTFE seats, brass stem, ball and body. Pressure rating no less than 5psi (34 kPa) WOG non-shock. Valve shall be a Watts Series GBV.

Models

- GBV** 3/8" – 1" threaded female NPT end connections and tee handle
- GBV-FL** 1/2" x 3/8" 1/2" x 1/2", 3/4" x 15/16" threaded female NPT x flare end connections and tee handle



GBV



GBV-FL

NOTICE

The information contained herein is not intended to replace the full product installation and safety information available or the experience of a trained product installer. You are required to thoroughly read all installation instructions and product safety information before beginning the installation of this product.

NOTICE

Inquire with governing authorities for local installation requirements

Pressure – Temperature

Temperature Range: -20° F – 125° F (-29° C – 52° C)
 Maximum Working Pressure: 5psi (34 kPa) WOG non-shock



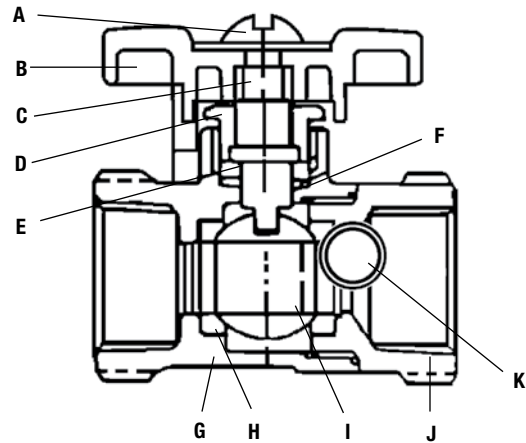
Approvals

CSA approved 1/2, 2 and 5psi (3, 14 and 34 kPa)
 UL approved @ 5psi (34 kPa)
 MEA approved for City of NY 288-92-E

Flow Capacities

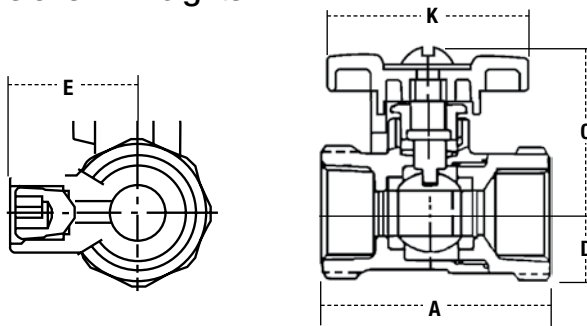
3/8" and 1/2" @ 295 ft³/hr.
 3/4" @ 790 ft³/hr.
 1" @ 1,200 ft³/hr.

Materials



A	Screw	Steel AISI 1010
B	Handle	Zinc Alloy ASTM B86
C	Stem	Brass ASTM B16, C36000
D	Stem Gland Screw	Brass ASTM B16, C36000
E	Gland	Brass ASTM B16, C36000
F	Gland Packing	PTFE
G	Body	Brass ASTM B124, C37700
H	Seats	PTFE
I	Ball	Brass ASTM B124, C37700 or ASTM B16, C36000
J	End Piece	Brass ASTM B124, C37700
K	Plug	Brass ASTM B16, C3600

Dimensions – Weights



MODEL	SIZE		DIMENSIONS								WEIGHT		
	in.	mm	A	C	D	K	E	lbs.	kg.				
GBV	3/8	1 13/16	46	1 3/8	35	3/8	10	1 3/4	45	-	-	.41	.19
GBV	1/2	2 9/16	55	1 3/8	35	3/8	10	1 3/4	45	-	-	.51	.23
GBV	3/4	2 7/16	62	1 7/16	36	9/16	15	1 3/4	45	-	-	.73	.33
GBV	1	2 7/8	73	1 9/16	40	1 3/16	20	1 3/4	45	-	-	.59	.27
GBV-FL	1/2 x 3/8	2 7/16	62	1 1/4	32	1/2	13	1 3/4	45	-	-	.53	.24
GBV-FL	1/2 x 1/2	2 1/2	64	1 1/4	32	1/2	13	1 3/4	45	-	-	.58	.26
GBV-FL	3/4 x 1 5/16	3 1/16	77	1 7/16	36	5/8	16	1 3/4	45	-	-	.86	.39



USA: T: (978) 689-6066 • F: (978) 975-8350 • Watts.com
 Canada: T: (905) 332-4090 • F: (905) 332-7068 • Watts.ca
 Latin America: T: (62) 81-1001-8600 • Watts.com