

**embraco**

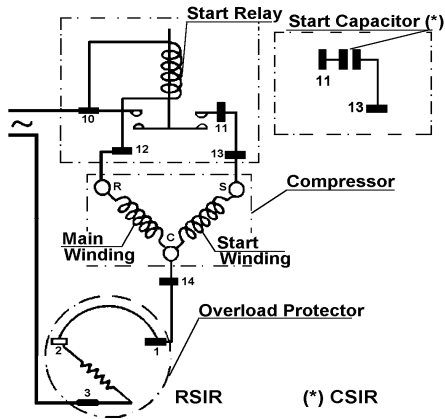
**FFI10HBX**

LBP/MBP/HBP

**115 V**

**134a**

**Wiring Diagram**



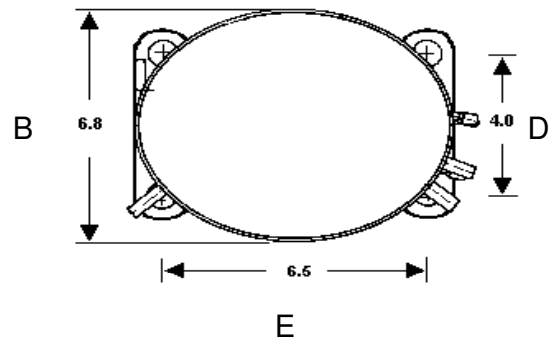
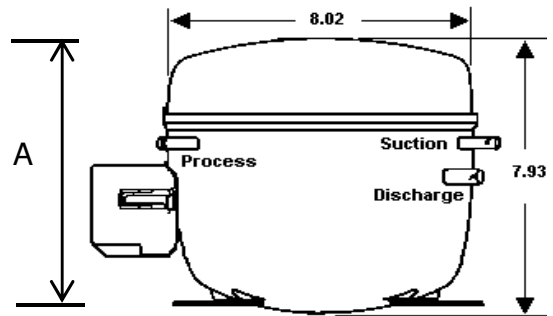
**Compressor Terminals**

- C = Common
- R = Run
- S = Start

Electrical components are supplied unassembled. Use of components other than specified will void warranty.

**Dimensions (inches)**

A: 7.93" B: 6.8" C: 8.02" D: 4.0" E: 6.5"




**Tube Diameter**

ID	Inch	MM
process	.255	6.5
suction	.325	8.3
discharge	.255	6.5

**Technical Specifications**

Rev 04-2013

Mechanical Data	English	Metric	Electrical Data	
Bore	0.93 in	24 mm	<b>motor:</b> 2 pole - 1 phase	CSIR
Stroke	0.78 in	20 mm	voltage	115v / 60 Hz
Displacement	0.55 cu in	9.04 cc	voltage range	98-140v
Speed	3,500 rpm	3,500 rpm	run winding resistance at 25° C	1.55 Ω
Weight	25.09 lb	11.38 kg	start winding resistance at 25° C	4.15 Ω
Oil Charge	9.46 oz.	280 ml	locked rotor current	35 Amps
<b>Compressor Cooling:</b> Fan cooled by forced draft over shell with 6 watt minimum fan.				
<b>Restrictor:</b> Capillary Tube			<b>Capacitor:</b> Start cap            270-324 mfd            180V Run cap             N/A	

	<b>FFI10HBX</b>	LBP/MBP/HBP	<b>115 V</b>	<b>134a</b>
<b>Specifications</b>			<b>Usage</b>	
Approximate H. P.	1/3		Drinking Water Coolers	
Starting Torque	High		Dehumidifiers	
Refrigerant	134a		Ice Machines	
Evaporator Temperature	Low/Med/High		Reach In Refrigerators	
Evaporator Temperature	-31° to 59°F		Beer Coolers	

<b>LBP Performance</b>					
<b>Temperature °F</b>	-22	<b>-10</b>	5	14	32
<b>Capacity BTU/Hr</b>	660	<b>1,065</b>	1,685	2,151	3,324
<b>Power W</b>	212	<b>246</b>	294	327	402
<b>Current Amps</b>	3.9	<b>4.02</b>	4.25	4.43	4.89
<b>Temperature °C</b>	-30	<b>-23.3</b>	-15	-10	0
<b>Capacity Kcal/Hr</b>	166	<b>268</b>	425	542	838
<b>HBP Performance</b>					
<b>Temperature °F</b>	14	23	32	<b>45</b>	50
<b>Capacity BTU/Hr</b>	2,151	2,695	3,324	<b>4,400</b>	4,878
<b>Power W</b>	327	363	402	<b>465</b>	493
<b>Current Amps</b>	4.43	4.65	4.89	<b>5.3</b>	5.49
<b>Temperature °C</b>	-10	-5	0	<b>7.2</b>	10
<b>Capacity Kcal/Hr</b>	542	679	838	<b>1,109</b>	1,229
<b>LBP Rating</b>	<b>ASHRAE</b>	<b>Rating Point (bolded above)</b>	<b>HBP Rating</b>	<b>ASHRAE</b>	
Condensing	130°F		Condensing	130°F	
Evaporator	-10°F		Evaporator	45°F	
Return Gas	90°F		Return Gas	95°F	
Ambient	90°F		Ambient	95°F	
Liquid Temp.	90°F		Liquid Temp.	115°F	

<b>Material</b>	<b>Part number</b>	<b>Description</b>	<b>Compressor Cross Ref.</b>	
Compressor	513200528	FFI10HBX	Model	Appl.
Relay	513506009		AEA3440YXA	HBP, LST
*Overload	13554609	MRT 20AGK-5590	AEA4440YXA	HBP, HST
Start Cap	513556529	270-324 mfd / 180v		
Grommet	2221003			
Sleeve	2222015			

\*Included in relay kit.

**EMBRACO NORTH AMERICA, INC.**  
2800 Vista Ridge Dr. Suite 100, Suwanee Ga, 30024 Phone: 678-804-1337