

FUJITSU



(TXV Metering Device Shown)

FCC SERIES

featuring Industry Standard R-410A
Refrigerant
Airflow Capacity
600-1,900 CFM [283-897 L/s]

Manufactured for

Fujitsu General America, Inc.

Fairfield, NJ

CASED/UNCASED COILS FOR GAS AND OIL FURNACES

Features

- Fujitsu Indoor Furnace cased coils and replacement uncased coils are designed for use with Fujitsu outdoor units and are available for vertical upflow or downflow, and horizontal left or horizontal right airflow. When matched with Fujitsu outdoor units, the coils provide a nominal capacity range from 18,000 BTU/HR [5.24 kW] to 60,000 BTU/HR [17.6 kW].
- Constructed of aluminum fins bonded to internally grooved aluminum tubing.
- Coils are tested at the factory with an extensive refrigerant leak check.
- Coils have copper sweat refrigerant connections.
- Feature two sets of $\frac{3}{4}$ " [14.1 mm] N.P.T. Condensate drain connections for ease of connection.
- Chatleff metering device connections, at inlet and outlet of TXV or EEV and equalizer connections (TXV only).
- Approved for system application with variety of Fujitsu outdoor units.
- Condensate drain pan is constructed of high grade, heat resistant, corrosion free thermal-set material.
- Compatible with Germicidal Light System (UV resistant)
- Bi-Directional airflow eliminates the need to switch any internal components from horizontal left to right.
- Unique drain pan design maximizes application flexibility and condensate removal.
- N-Coil design maximizes performance and minimizes height required at installation.
- Coils are AHRI certified for system application with a variety of Fujitsu outdoor units.



TABLE OF CONTENTS

Model Number Identification	3
Available SKUs	3
Coil Specifications	4-5
Coil Dimensions and Weights.....	6-7
Accessories	8-9
Limited Warranty	10

Model Number Identification

<u>FC</u>	<u>C</u>	<u>24</u>	<u>14</u>	<u>T</u>	<u>S</u>	<u>A</u>
Product	Case	Capacity	Width	Device	Efficiency	Coil Shape
Coil	C = Cased	24 = 24,000 [7.04 kW] 36 = 36,000 [10.55 kW] 48 = 48,000 [14.07 kW] 60 = 60,000 [17.58 kW]	14" 17" 21" 24"	T = TEV	S = Standard M = Medium H = High	A = N Coil

[] Designates Metric Conversions

TXV MODELS AVAILABLE	
FCC2414TSA	FCC4824TSA
FCC2417TSA	FCC6021TSA
FCC2417TMA	FCC6024TSA
FCC2421TMA	FCC2417THA
FCC3617TSA	FCC2421THA
FCC3621TSA	FCC3621THA
FCC3621TMA	FCC3624THA
FCC3624TMA	FCC4824THA
FCC4821TSA	FCC6024THA
FCC4821TMA	

Table 1: Coil Specifications/Airflow Pressure Drop

Coil Model (-)CF	Approx. Design Cooling Air Flow Range CFM [L/s]	Face Area Sq. Ft. [m ²]	Fins Per Inch / Rows Deep	Width	Nominal Capacity	Wet Coil Static Pressure Drop (Inches W.C.) [kPa] @ CFM [L/s] – (Coil Only)													
						600 [283]	700 [330]	800 [378]	900 [425]	1000 [472]	1100 [519]	1200 [566]	1300 [614]	1400 [661]	1500 [708]	1600 [755]	1700 [802]	1800 [850]	1900 [897]
FCC2414TSA	600/900 [283/425]	4.56 [0.42]	16/2	14	1.5 – 2	0.165	0.209	0.262	0.325	—	—	—	—	—	—	—	—	—	
FCC2417TSA	600/900 [283/425]	4.56 [0.42]	16/2	17		0.120	0.157	0.199	0.246	—	—	—	—	—	—	—	—	—	
FCC2417TMA	600/900 [283/425]	5.70 [0.52]	16/2			0.113	0.145	0.181	0.222	—	—	—	—	—	—	—	—	—	
FCC3617TSA	700/1300 [330/614]	5.70 [0.52]	16/2	21	2.5 – 3	0.113	0.145	0.181	0.222	0.266	0.315	0.368	—	—	—	—	—	—	
FCC2421TMA	600/900 [283/425]	5.70 [0.52]	16/2		1.5 – 2	0.113	0.145	0.181	0.222	—	—	—	—	—	—	—	—	—	
FCC2421THA	600/900 [283/425]	5.70 [0.52]	16/2		0.113	0.145	0.181	0.222	—	—	—	—	—	—	—	—	—	—	
FCC3621TSA	700/1300 [330/614]	5.70 [0.52]	16/2		2.5 – 3	0.113	0.145	0.181	0.222	0.266	0.315	0.368	—	—	—	—	—	—	
FCC3621TMA	700/1300 [330/614]	8.55 [0.79]	16/2		0.062	0.086	0.112	0.140	0.170	0.202	0.236	—	—	—	—	—	—	—	
FCC3621THA	700/1300 [330/614]	7.60 [0.70]	13/3		3.5 – 4	0.106	0.125	0.146	0.169	0.194	0.221	0.251	—	—	—	—	—	—	
FCC4821TMA	1100/1800 [519/850]	7.60 [0.70]	13/3		0.106	0.125	0.146	0.169	0.194	0.221	0.251	0.282	0.315	0.350	0.386	0.425	0.466	—	
FCC4821TSA	1100/1800 [519/850]	8.55 [0.79]	16/2		0.062	0.086	0.112	0.140	0.170	0.202	0.236	0.272	0.309	0.349	0.391	0.434	0.480	0.527	
FCC6021TSA	1400/1600 [661/755]	7.60 [0.70]	13/3		5	0.036	0.050	0.065	0.081	0.098	0.117	0.137	0.158	0.180	0.203	0.228	0.254	—	—
FCC3624TMA	700/1300 [330/614]	8.55 [0.79]	16/2		24	2.5 – 3	0.062	0.086	0.112	0.140	0.170	0.202	0.236	0.272	0.309	—	—	—	—
FCC3624THA	700/1300 [330/614]	9.98 [0.93]	14/3	0.036		0.050	0.065	0.081	0.098	0.117	0.137	0.158	0.180	—	—	—	—	—	
FCC4824TSA	1100/1800 [519/850]	8.55 [0.79]	16/2	3.5 – 4		0.062	0.086	0.112	0.140	0.170	0.202	0.236	0.272	0.309	0.349	0.391	0.434	0.480	—
FCC4824THA	1100/1800 [519/850]	9.98 [0.93]	14/3	0.036		0.050	0.065	0.081	0.098	0.117	0.137	0.158	0.180	0.203	0.228	0.254	0.281	—	—
FCC6024TSA	1400/1800 [661/755]	9.98 [0.93]	14/3	5		0.036	0.050	0.065	0.081	0.098	0.117	0.137	0.158	0.180	0.203	0.228	0.254	0.281	—
FCC6024THA	1400/1800 [661/755]	9.98 [0.93]	14/3	0.036		0.050	0.065	0.081	0.098	0.117	0.137	0.158	0.180	0.203	0.228	0.254	0.281	—	—

Important Note: Gas furnace heating CFM can exceed the design cooling CFM. Ductwork and coil selection must accommodate the higher of the cooling or gas heating CFM to prevent furnace limit tripping, excessive noise, and coil freeze-up.

[] Designates Metric Conversions

Table 1: Coil Specifications/Airflow Pressure Drop (con't.)

Coil Model (-)CF	Approx. Design Heating Air Flow Range CFM [L/s]	Face Area Sq. Ft. [m ²]	Fins Per Inch / Rows Deep	Width	Nominal Capacity	Dry Coil Static Pressure Drop (Inches W.C.) [kPa] @ CFM [L/s] – (Coil-Only)															
						600 [283]	700 [330]	800 [378]	900 [425]	1000 [472]	1100 [519]	1200 [566]	1300 [614]	1400 [661]	1500 [708]	1600 [755]	1700 [802]	1800 [850]	1900 [897]		
FCC2414TSA	600/1600 [283/755]	4.56 [0.42]	16/2	14	1.5 – 2	0.118	0.118	0.145	0.176	0.210	0.247	0.288	0.332	0.379	0.429	0.483	—	—	—		
FCC2417TSA	600/1500 [283/707]	4.56 [0.42]	16/2	17		0.116	0.116	0.151	0.190	0.235	0.284	0.338	0.397	0.461	0.530	—	—	—	—		
FCC2417TMA	600/1600 [283/755]	5.70 [0.52]	16/2			0.101	0.101	0.129	0.161	0.196	0.235	0.277	0.323	0.373	0.425	0.482	—	—	—	—	
FCC3617TSA	600/1600 [283/755]	5.70 [0.52]	16/2		2.5 – 3	0.101	0.101	0.129	0.161	0.196	0.235	0.277	0.323	0.373	0.425	0.482	—	—	—		
FCC2421TMA	600/1600 [283/755]	5.70 [0.52]	16/2	21	1.5 – 2	0.101	0.101	0.129	0.161	0.196	0.235	0.277	0.323	0.373	0.425	0.482	—	—	—		
FCC2422THA	600/1600 [283/755]	5.70 [0.52]	16/2			0.101	0.101	0.129	0.161	0.196	0.235	0.277	0.323	0.373	0.425	0.482	—	—	—	—	
FCC3621TSA	600/1600 [283/755]	5.70 [0.52]	16/2		2.5 – 3	0.101	0.101	0.129	0.161	0.196	0.235	0.277	0.323	0.373	0.425	0.482	—	—	—	—	
FCC3621TMA	600/1900 [283/896]	8.55 [0.79]	16/2			0.039	0.039	0.056	0.075	0.095	0.117	0.141	0.166	0.193	0.222	0.252	0.284	0.318	0.353	0.353	
FCC3621THA	600/1900 [283/896]	7.60 [0.70]	13/3			0.043	0.043	0.053	0.066	0.080	0.096	0.115	0.135	0.158	0.182	0.208	0.237	0.267	0.299	0.299	
FCC4821TMA	600/1900 [283/896]	7.60 [0.70]	13/3		3.5 – 4	0.043	0.043	0.053	0.066	0.080	0.096	0.115	0.135	0.158	0.182	0.208	0.237	0.267	0.299	0.299	
FCC4821TSA	600/1900 [283/896]	8.55 [0.79]	16/2			0.039	0.039	0.056	0.075	0.095	0.117	0.141	0.166	0.193	0.222	0.252	0.284	0.318	0.353	0.353	
FCC6021TSA	600/1900 [283/896]	7.60 [0.70]	13/3		5	0.080	0.080	0.092	0.106	0.121	0.136	0.153	0.171	0.190	0.211	0.232	0.254	0.278	0.302	0.302	
FCC3624TMA	600/1900 [283/896]	8.55 [0.79]	16/2		24	2.5 – 3	0.039	0.039	0.056	0.075	0.095	0.117	0.141	0.166	0.193	0.222	0.252	0.284	0.318	0.353	0.353
FCC3624THA	600/1900 [283/896]	9.98 [0.93]	14/3				0.023	0.023	0.038	0.055	0.074	0.095	0.119	0.144	0.171	0.200	0.231	0.264	0.300	0.337	0.337
FCC4824TSA	600/1900 [283/896]	8.55 [0.79]	16/2			3.5 – 4	0.039	0.039	0.056	0.075	0.095	0.117	0.141	0.166	0.193	0.222	0.252	0.284	0.318	0.353	0.353
FCC4824THA	600/1900 [283/896]	9.98 [0.93]	14/3	0.023			0.023	0.038	0.055	0.074	0.095	0.119	0.144	0.171	0.200	0.231	0.264	0.300	0.337	0.337	
FCC6024TSA	600/1900 [283/896]	9.98 [0.93]	14/3	5		0.023	0.023	0.038	0.055	0.074	0.095	0.119	0.144	0.171	0.200	0.231	0.264	0.300	0.337	0.337	
FCC6024THA	600/1900 [283/896]	9.98 [0.93]	14/3			0.023	0.023	0.038	0.055	0.074	0.095	0.119	0.144	0.171	0.200	0.231	0.264	0.300	0.337	0.337	

Important Note: Gas furnace heating CFM can exceed the design cooling CFM. Ductwork and coil selection must accommodate the higher of the cooling or gas heating CFM to prevent furnace limit tripping, excessive noise, and coil freeze-up.

[] Designates Metric Conversions

Table 2: Coil Dimensions and Weights

Coil Model FCC	Connections		Uncased Coil Dimensions (in) [mm]		Weight	
	Sweat (in.) [mm]		A	B	Coil Weight (lbs.) [Kg.]	Shipping Weight (lbs.) [Kg.]
	Liquid	Suction				
	I.D.	I.D.				
2414TS	3/8 [9.53]	3/4 [19.05]	21 ³ / ₄ [552]	12 ⁷ / ₈ [327]	43 [19]	47 [21]
2417TS	3/8 [9.53]	3/4 [19.05]	15 ³ / ₈ [390]	16 ³ / ₈ [416]	43 [19]	48 [22]
2417TM, 2417TH, 3617TS	3/8 [9.53]	3/4 [19.05]	18 ³ / ₄ [476]	16 ³ / ₈ [416]	49 [22]	54 [24]
2421TM, 2421TH, 3621TS	3/8 [9.53]	3/4 [19.05]	18 ³ / ₄ [476]	19 ⁷ / ₈ [505]	51 [23]	60 [27]
3621TM, 4821TS	3/8 [9.53]	3/4 [19.05]	26 ⁵ / ₈ [676]	19 ⁷ / ₈ [505]	71 [32]	78 [35]
3621TH, 4821TM, 6021TS	3/8 [9.53]	7/8 [22.23]	33 [838]	19 ⁷ / ₈ [505]	76 [34]	86 [39]
3624TM, 4842TS	3/8 [9.53]	3/4 [19.05]	26 ¹¹ / ₁₆ [678]	23 ³ / ₈ [594]	83 [37]	93 [42]
3624TH, 4824TH, 6024TS, 6024TH	3/8 [9.53]	3/4 [19.05]	30 ¹⁵ / ₁₆ [786]	23 ³ / ₈ [594]	100 [45]	108 [48]

*The 14 inch, 2 ton RCF coil (2414) is part of the "N-Coil" design series, even though the coil shape resembles an "A" coil design.

FIGURE 1: DIMENSIONS UNCASSED

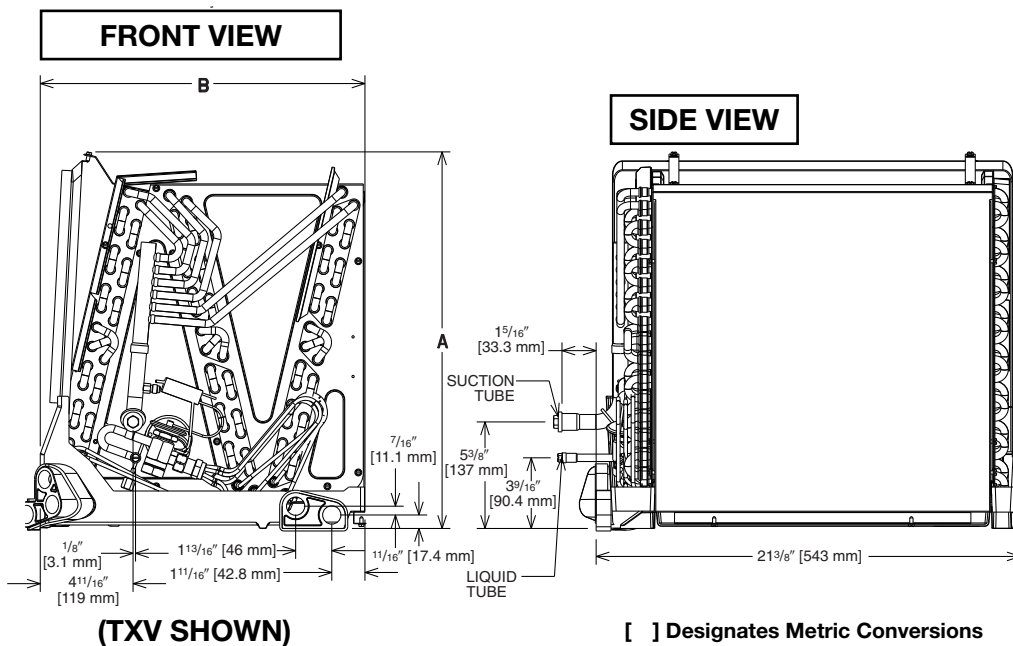
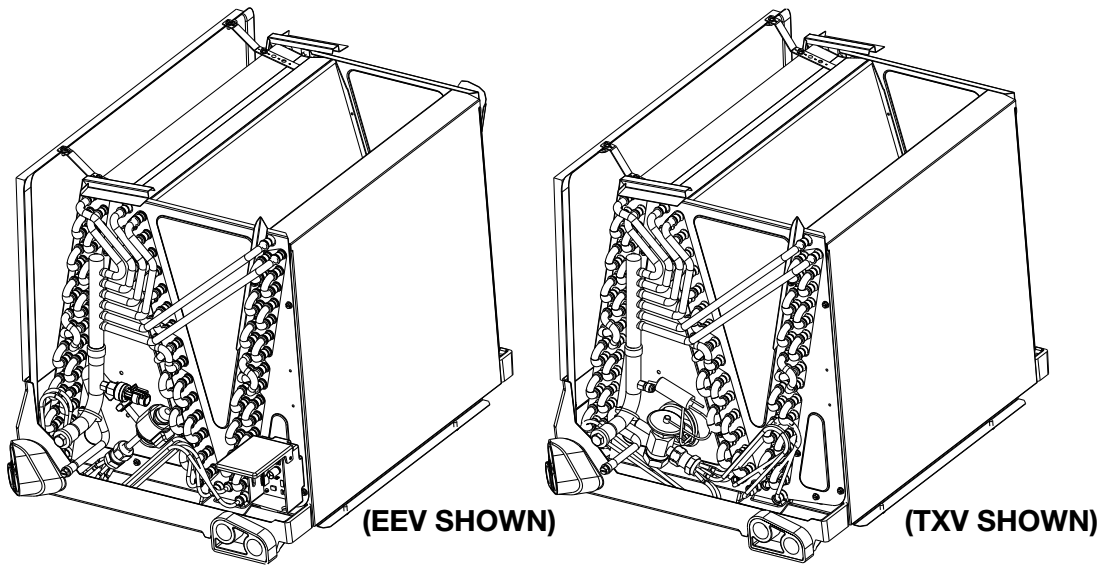


Table 2: Coil Dimensions and Weights

Coil Model RCF	Connections		Cased Coil Dimensions (in) [mm]			Weight	
	Sweat (in.) [mm]		A	B	C	Coil Weight (lbs.) [Kg.]	Shipping Weight (lbs.) [Kg.]
	Liquid	Suction					
	I.D.	I.D.					
2414TS	3/8 [9.53]	3/4 [19.05]	14 [356]	21 [533]	23 ³ / ₁₆ [584]	43 [19]	47 [21]
2417TS	3/8 [9.53]	3/4 [19.05]	17 ¹ / ₂ [445]	14 ¹ / ₂ [368]	20 [508]	43 [19]	48 [22]
2417TM, 2417TH, 3617TS	3/8 [9.53]	3/4 [19.05]	17 ¹ / ₂ [445]	17 ⁷ / ₈ [454]	20 [508]	49 [22]	54 [24]
2421TM, 2421TH, 3621TS	3/8 [9.53]	3/4 [19.05]	21 [533]	17 ¹ / ₂ [445]	20 [508]	51 [23]	60 [27]
3621TM, 4821TS	3/8 [9.53]	3/4 [19.05]	21 [533]	25 ⁷ / ₈ [657]	28 [711]	71 [32]	78 [35]
3621TH, 4821TM, 6021TS	3/8 [9.53]	7/8 [22.23]	21 [533]	32 [813]	34 ¹ / ₂ [876]	76 [34]	86 [39]
3624TM, 4842TS	3/8 [9.53]	3/4 [19.05]	24 ¹ / ₂ [622]	25 ³ / ₈ [645]	32 [812]	83 [37]	93 [42]
3624TH, 4824TH, 6024TS, 6024TH	3/8 [9.53]	3/4 [19.05]	24 ¹ / ₂ [622]	30 ¹ / ₄ [768]	32 [812]	100 [45]	108 [48]

*The 14 inch, 2 ton RCF coil (2414) is part of the "N-Coil" design series, even though the coil shape resembles an "A" coil design.

FIGURE 1: DIMENSIONS CASED

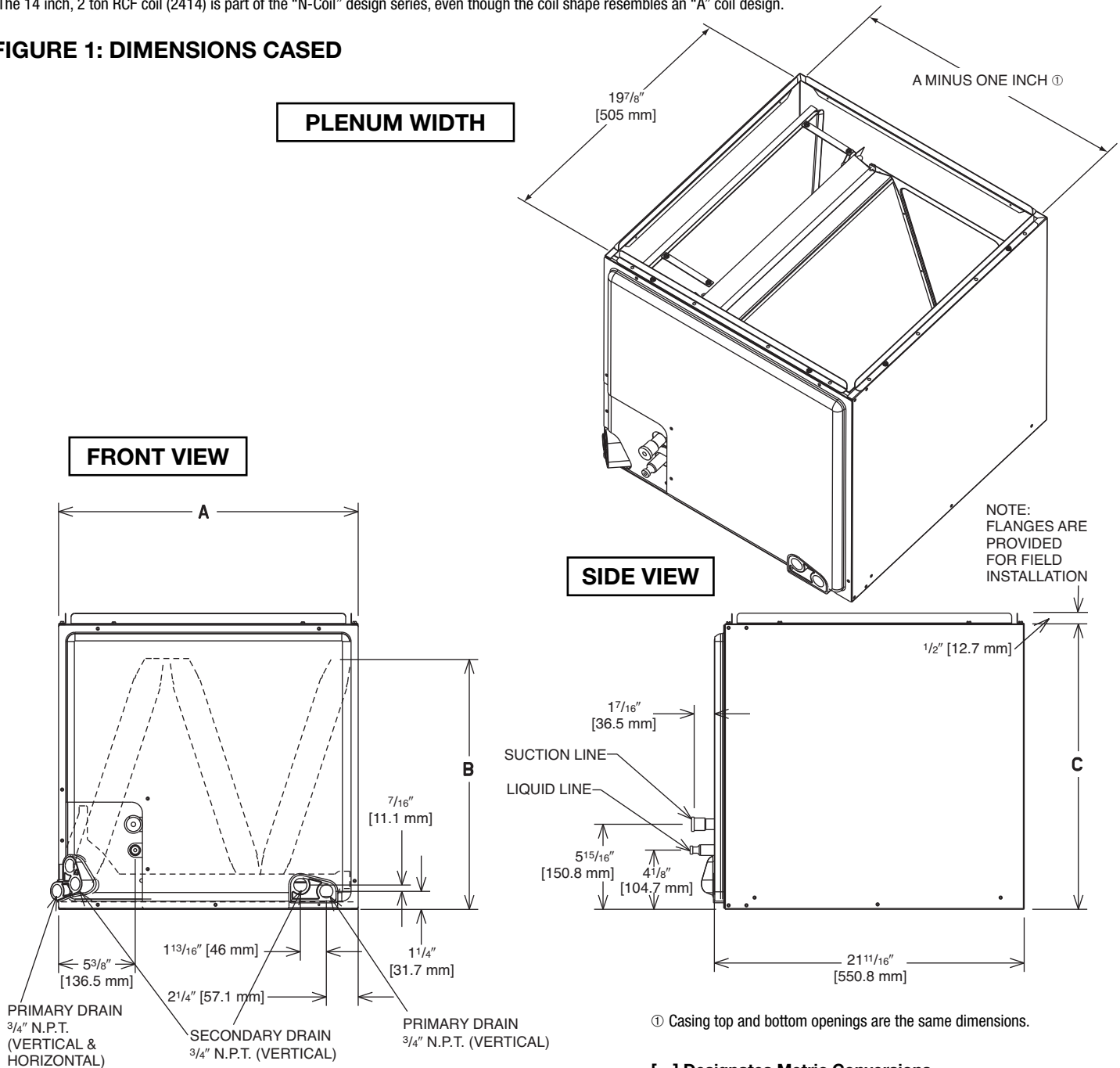


Table 3: Coil Application

Coils can be matched to heating products as listed in table below.

Coil Model FCC	Furnace Width (In.) (mm)	
	Oil	Gas
2414TS 2417TS 2417TH/2417TM 3617TS	—	14 [356]
2417TS 2417MT/2417TM 3617TS	17½ [431]	17½ [444] 14 [356]
2421TM/2421TH 3621TS 3621TM/4821TS/6021TS	21 [533]	21 [533] 17½ [444]
3624TM/3624TH 4824TS/4824TH 6024TS/6024TH	24½ [622]	24½ [622] 21 [533]

Accessories

• **PLENUM ADAPTER ACCESSORY
RXBA-AE**

This plenum adapter accessory is for use with the 24½" wide cased indoor cooling and heat pump coils. This allows a 24½" wide cased coil to be installed on a 28" wide oil furnace. This is a field-installed accessory only.

• **RXBA-AC (Upflow/Horizontal)**

These plenum adapter accessories are for use when a cooling coil is matched with a gas furnace of one smaller size.

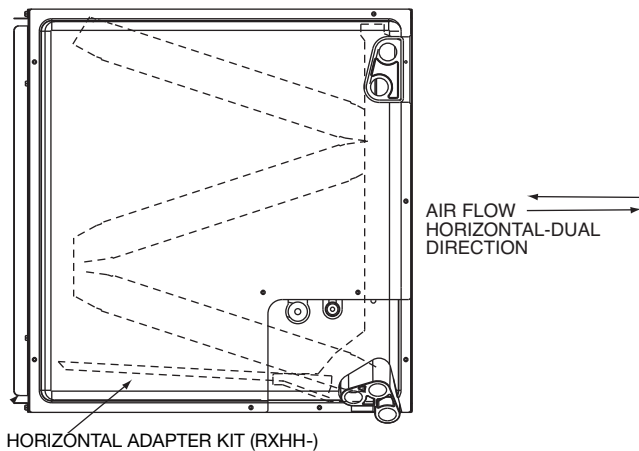
• **HORIZONTAL ADAPTER KIT RXHH (See Figure 2)**

This horizontal adapter kit is used to convert a upflow or downflow coil for a horizontal application. See Table 4 to order the proper horizontal adapter kit.

Table 4: Horizontal Adapter Kit Model No.

Coil Model	Horizontal Adapter Kit Model No.
2414TS	RXHH-A01
2417TS	RXHH-A02
2417TM/2421TM/3617TS/ 3621TS/2421TH	RXHH-A03
3621TM/3624TM/ 4821TS/4824TS	RXHH-A04
3624TH/4824TH/ 6024TS/6024TH	RXHH-A05
3621TH/4821TM/6021TS	RXHH-A06

FIGURE 2: HORIZONTAL ADAPTER KIT ILLUSTRATION



• **INDOOR COIL CASING- RXBC (See Table 5)**

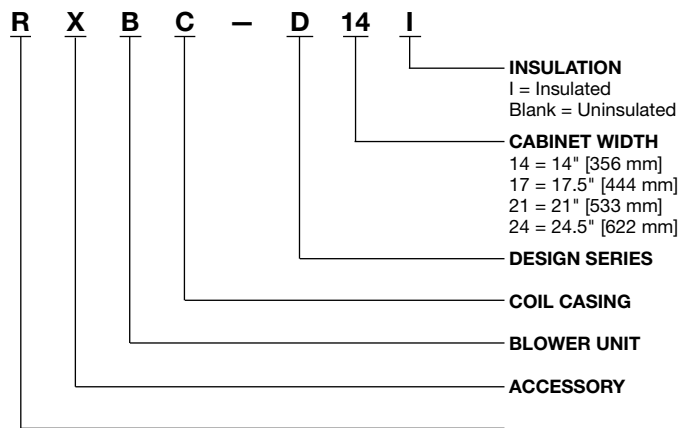


Table 5: Unit Dimensions and Weights- RXBC Indoor Coil Casings

Model Number	Width (in.) [mm]	Height (in.) [mm]	Depth (in.) [mm]	Unit Weight		Supply Air/Return Air Openings	
				Weight (lbs.) [Kg.]	Ship. Wt. (lbs.) [Kg.]	Width (in.) [mm]	Depth (in.) [mm]
RXBC-D14AI	14 [356]	23 ⁷ / ₁₆ [589]	21 ⁵ / ₈ [549]	19 [9]	23 [10]	13 [330]	19 ³ / ₁₆ [508]
RXBC-D17AI	17½ [445]	20 [508]		18 [8]	23 [10]	16½ [419]	
RXBC-D21AI	21 [533]	20 [508]		20 [9]	26 [12]	20 [508]	
RXBC-D21BI	21 [533]	28 [711]		27 [12]	36 [17]	20 [508]	
RXBC-D24AI	24½ [622]	32½ [826]		34 [16]	44 [20]	23½ [597]	

Table 6: Uncased Coil Adapter Kit

Uncased Coil Adapter Model Number RXBA	A Width (in.) [mm]	Uncased Coil Model RCFP
B14x20	13 ¹ / ₈ [333]	-HUxx14
B17x20	16 ⁵ / ₈ [422]	-HUxx17
B21x20	20 ¹ / ₈ [511]	-HUxx21
B24x20	23 ⁵ / ₈ [599]	-HUxx24

[] Designates Metric Conversions

Accessories (cont.)

• UNCASED COIL ADAPTER KIT

RXBA- (See Figure 3 & 4)

This uncased coil adapter kit is used to adapt the coil to a furnace or ductwork. See Table 6 to order the proper adapter kit. Each kit contains a quantity of 20 adapters.

FIGURE 3: UNCASED COIL ADAPTER KIT ILLUSTRATION

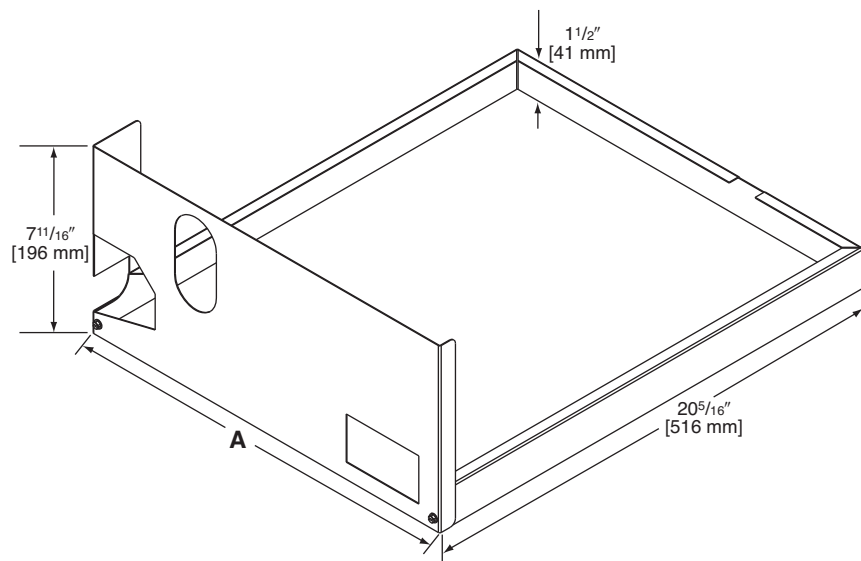
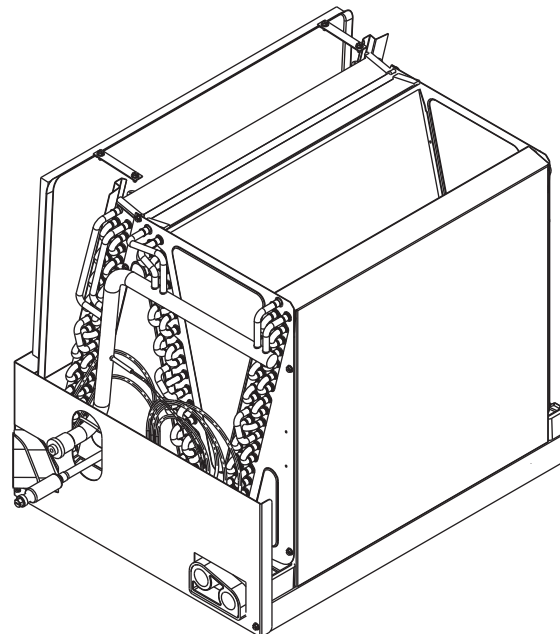


FIGURE 4: UNCASED COIL ADAPTER KIT ASSEMBLED



Note: Sliding the coil into the coil rail before attaching coil rack front.

[] Designates Metric Conversions

R-22 TXV Conversion Kits

To be used to convert R410-A coil to operate with R-22

FURNACE COIL CROSS REFERENCE CHART		
ORIGINAL COIL	RECOMMENDED ALUMINUM TUBE REPLACEMENT COIL	R-22 TXV CONVERSION KIT MODEL NO.
FCCA-**2414	FCC2414TSA	RXCT-HBA
FCCA-**2417	FCC2417TSA	RXCT-HBA
FCCA-**3617	FCC3617TSA, FCC2417TMA, or FCC2417THA	RXCT-HBB
FCCA-**3621	FCC3621TSA, FCC2417TMA, or FCC2421THA	RXCT-HBB
FCCA-**4821	FCC4821TSA or FCC3621TMA	RXCT-HBC
FCCA-**4824	FCC4824TSA or FCC3624TMA	RXCT-HBC
FCCA-**6024	FCC6024TSA, FCC6024THA, FCC4824THA, or FCC3624THA	RXCT-HBD

**= AU, HM, or HU

GENERAL TERMS OF LIMITED WARRANTY*

Fujitsu General America, Inc. will furnish a replacement for any part of this product which fails in normal use and service within the applicable periods stated, in accordance with the terms of the limited warranty.

Conditional Parts.....Ten (10) Years

***For complete details of the Limited and Conditional Warranties, including applicable terms and conditions, contact your local contractor or the Manufacturer for a copy of the product warranty certificate.**

Before proceeding with installation, refer to installation instructions packaged with each model, as well as complying with all Federal, State, Provincial, and Local codes, regulations, and practices.

"In keeping with its policy of continuous progress and product improvement, the right is reserved to make changes without notice."