

# PARTS MANUAL

## Gas Furnace

### F9MXE, G9MXE

#### Safety Labeling and Signal Words

##### **DANGER, WARNING, CAUTION, and NOTE**

The signal words **DANGER, WARNING, CAUTION,** and **NOTE** are used to identify levels of hazard seriousness. The signal word **DANGER** is only used on product labels to signify an immediate hazard. The signal words **WARNING, CAUTION,** and **NOTE** will be used on product labels and throughout this manual and other manuals that may apply to the product.

**DANGER** – Immediate hazards which **will** result in severe personal injury or death.

**WARNING** – Hazards or unsafe practices which **could** result in severe personal injury or death.

**CAUTION** – Hazards or unsafe practices which **may** result in minor personal injury or product or property damage.

**NOTE** – Used to highlight suggestions which **will** result in enhanced installation, reliability, or operation.

##### Signal Words in Manuals

The signal word **WARNING** is used throughout this manual in the following manner:



The signal word **CAUTION** is used throughout this manual in the following manner:



##### Signal Words on Product Labeling

Signal words are used in combination with colors and/or pictures on product labels.

#### **TABLE OF CONTENTS**

Model Number Identification .....	2
Parts Diagram .....	3
Parts .....	9

#### **MODELS**

F9MXE0401410A1 .....	G9MXE0401410A1
F9MXE0601714A1 .....	G9MXE0601714A1
F9MXE0801716A1 .....	G9MXE0801716A1
F9MXE0802120A1 .....	G9MXE0802120A1
F9MXE1002116A1 .....	G9MXE1002116A1
F9MXE1002120A1 .....	G9MXE1002120A1
F9MXE1202422A1 .....	G9MXE1202422A1

**ELECTRICAL SHOCK HAZARD**

Failure to turn off electric power could result in personal injury or death.

Before installing or servicing system, turn off main power to the system. There may be more than one disconnect switch, including accessory heater(s).

**MODEL NUMBER IDENTIFICATION GUIDE**

DIGIT POSITION	1	2	3	4	5	6,7,8	9,10	11,12	13	14
(F/G) = Mainline N = Entry	*	9	M	X	E	060	17	14	A	1
9 = 90+% AFUE	<b>EFFICIENCY</b>		<b>POSITION</b>							
M = Multiposition A = Modulating ECM Variable Speed Blower V = ECM Variable Speed X = ECM Blower S = Single-stage T = Two-stage				<b>TYPE</b>						
C = Communicating E = Extra AFUE Efficiency T = Two-Stage				<b>FEATURE</b>						
040 = 40,000 BTU/hr 060 = 60,000 BTU/hr 080 = 80,000 BTU/hr 100 = 100,000 BTU/hr 120 = 120,000 BTU/hr						<b>HEAT INPUT</b>				
14 = 14-3/16" 17 = 17-1/2" 21 = 21" 24 = 24-1/2"						<b>CABINET WIDTH</b>				
08 = 800 CFM 12 = 1200 CFM 14 = 1400 CFM 16 = 1600 CFM 20 = 2000 CFM 22 = 2200 CFM						<b>NOMINAL MAXIMUM COOLING AIRFLOW @ .5 IN. W.C.</b>				
SALES (MAJOR) REVISION DIGIT										
ENGINEERING (MINOR) REVISION DIGIT										

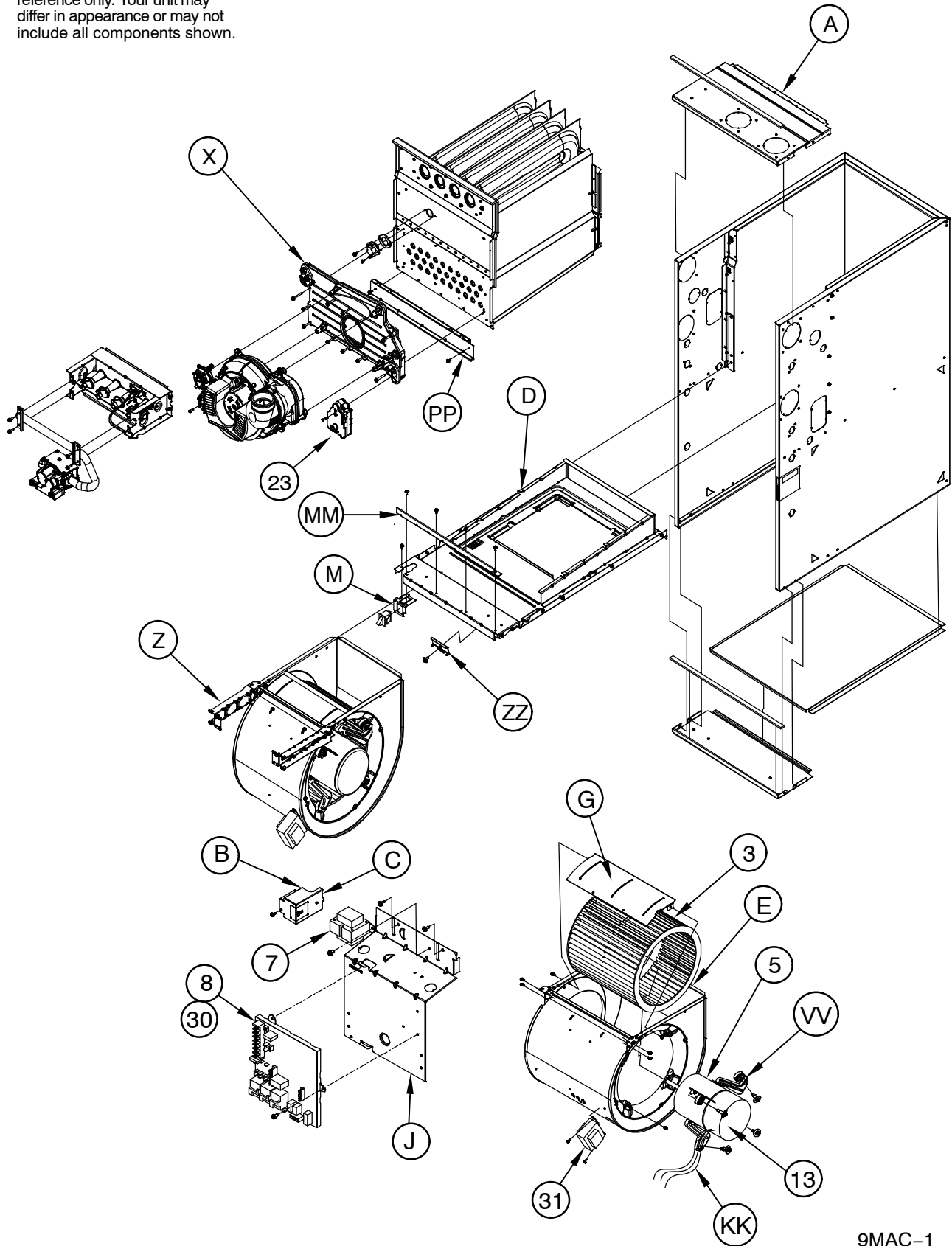
ECM—Electronically Commutated Motor

**ACCESSORIES PART NUMBER IDENTIFICATION GUIDE**

DIGIT POSITION	1	2	3	4	5, 6, 7	8, 9	10, 11
N = Non-Branded	N	A	H	A	001	01	DH
A = Accessory	<b>BRANDING</b>		<b>PRODUCT GROUP</b>				
H = Heating			<b>KIT USAGE</b>				
A = Original B = 2nd Generation					<b>MAJOR SERIES</b>		
Product Identifier Number							
Package Quantity							
Type of Kit (Example: DH = Draft Hood - Chimney Adapter)							

PARTS DIAGRAM

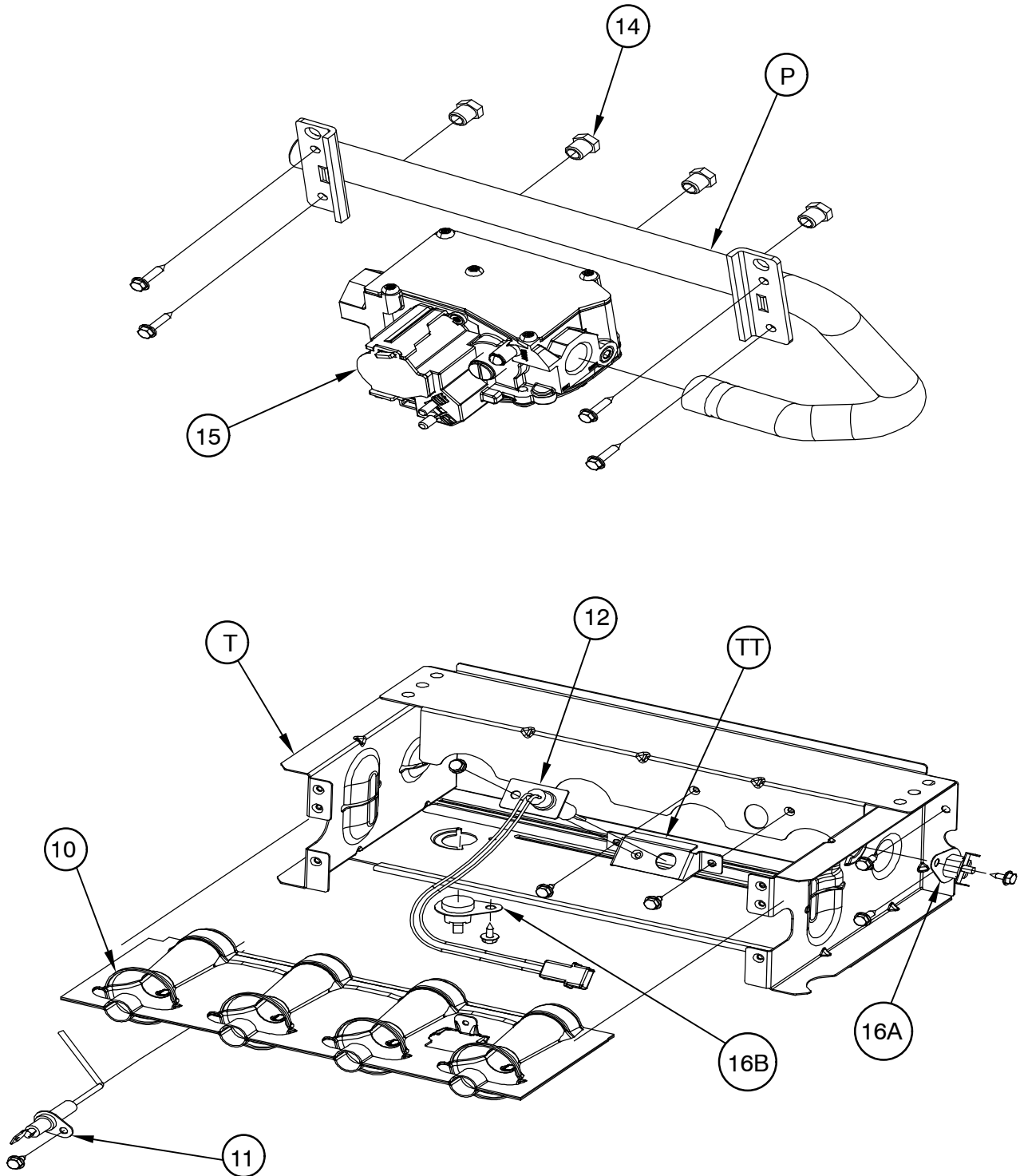
NOTE: This illustration is for reference only. Your unit may differ in appearance or may not include all components shown.



9MAC-1

PARTS DIAGRAM

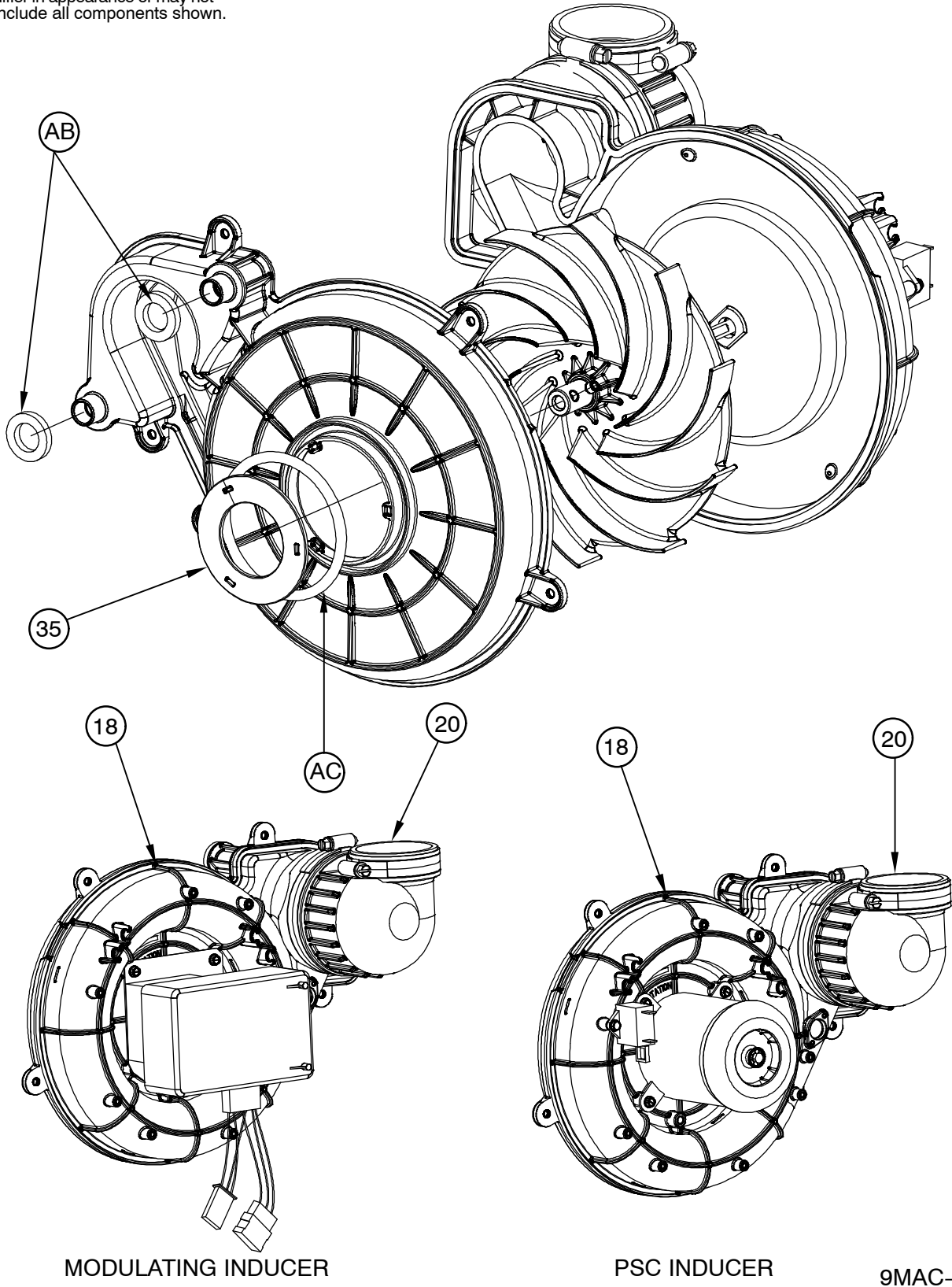
NOTE: This illustration is for reference only. Your unit may differ in appearance or may not include all components shown.



9MAC-2

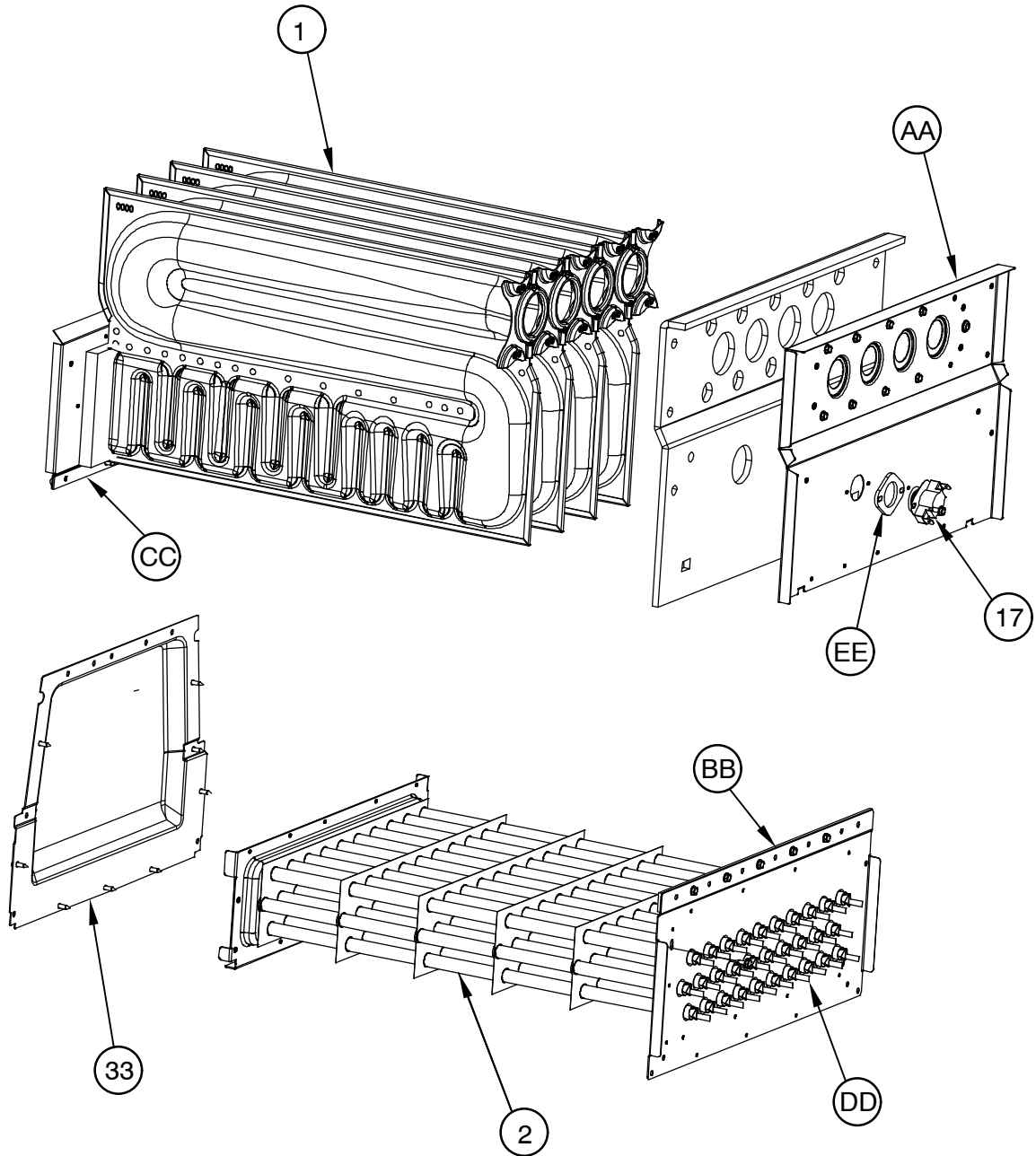
PARTS DIAGRAM

NOTE: This illustration is for reference only. Your unit may differ in appearance or may not include all components shown.



PARTS DIAGRAM

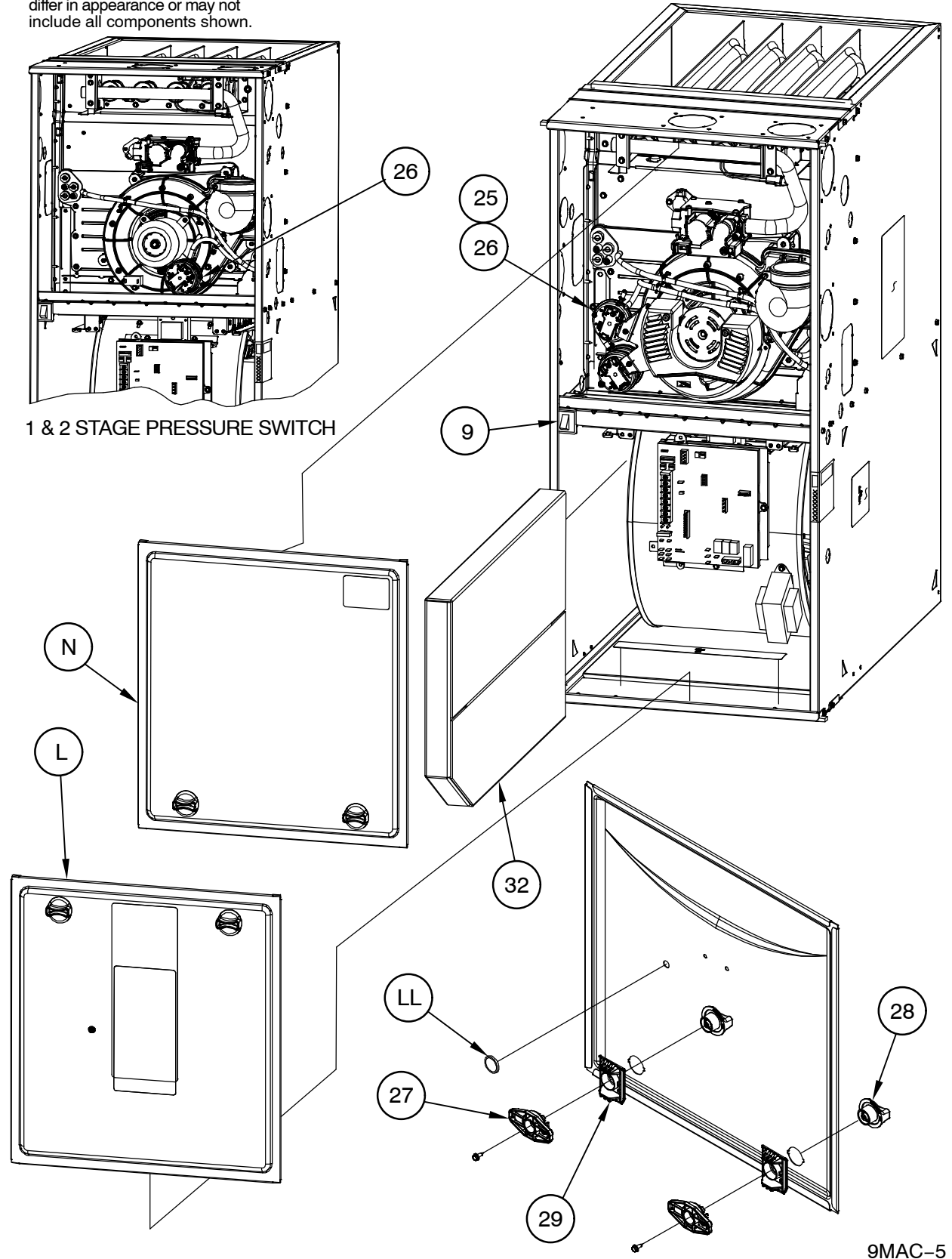
NOTE: This illustration is for reference only. Your unit may differ in appearance or may not include all components shown.



9MAC-4

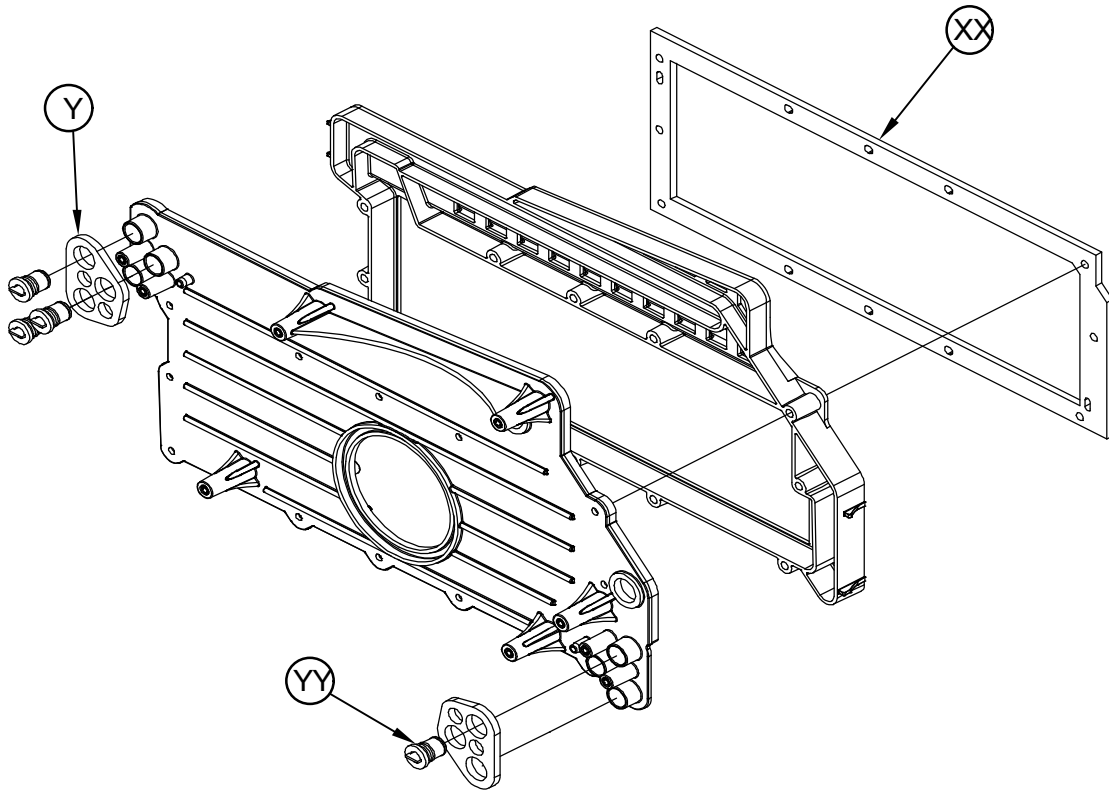
PARTS DIAGRAM

NOTE: This illustration is for reference only. Your unit may differ in appearance or may not include all components shown.



PARTS DIAGRAM

NOTE: This illustration is for reference only. Your unit may differ in appearance or may not include all components shown.



9MAC-6



## PARTS LIST

KEY NO.	DESCRIPTION	FAST PARTS NO.	PARTS LIST													
			F9MXE0401410A1	F9MXE0601714A1	F9MXE0801716A1	F9MXE0802120A1	F9MXE1002116A1	F9MXE1002120A1	F9MXE1202422A1	G9MXE0401410A1	G9MXE0601714A1	G9MXE0801716A1	G9MXE0802120A1	G9MXE1002116A1	G9MXE1002120A1	G9MXE1202422A1
01	HT EX PRIM 2 CELL ALUM	1185579	1	-	-	-	-	-	-	-	1	-	-	-	-	-
01	HT EX PRIM 3 CELL ALUM	1185580	-	1	-	-	-	-	-	-	-	1	-	-	-	-
01	HT EX PRIM 4 CELL ALUM	1185581	-	-	1	1	-	-	-	-	-	1	1	-	-	-
01	HT EX PRIM 5 CELL ALUM	1185582	-	-	-	-	1	1	-	-	-	-	-	1	1	-
01	HT EX PRIM 6 CELL ALUM	1185583	-	-	-	-	-	-	1	-	-	-	-	-	-	1
02	HT EX SEC	1184501	-	1	1	-	-	-	-	-	1	1	-	-	-	-
02	HT EX SEC	1184502	-	-	-	-	1	1	-	-	-	-	-	1	1	-
02	HT EX SEC	1184503	-	-	-	-	-	-	1	-	-	-	-	-	-	1
02	HT EX SEC	1184819	-	-	-	1	-	-	-	-	-	-	1	-	-	-
02	HT EX SEC	1185569	1	-	-	-	-	-	-	1	-	-	-	-	-	-
03	WHEEL DD11x10x1/2 CW CV	1172129	-	-	-	-	1	-	1	-	-	-	-	1	-	-
03	WHEEL DD11x10x1/2 CW CV	1172129	-	-	-	1	-	1	-	-	-	-	1	-	1	-
03	WHEEL BLOWER 11 X 11	1176937	-	-	-	-	-	-	1	-	-	-	-	-	-	1
03	WHEEL BLOWER 11 X 8	1177180	-	1	1	-	-	-	-	-	1	1	-	-	-	-
03	WHEEL BLOWER	1185573	1	-	-	-	-	-	-	1	-	-	-	-	-	-
05	MOTOR BLOWER	1184510	1	-	-	-	-	-	-	1	-	-	-	-	-	-
05	MOTOR BLOWER	1184512	-	1	-	-	-	-	-	-	1	-	-	-	-	-
05	MOTOR BLOWER	1184513	-	-	1	-	-	-	-	-	-	1	-	-	-	-
05	MOTOR BLOWER	1184515	-	-	-	-	1	-	-	-	-	-	-	1	-	-
05	MOTOR BLOWER	1184516	-	-	-	-	-	-	1	-	-	-	-	-	-	1
05	MTR BLR	1184794	-	-	-	1	-	-	-	-	-	-	1	-	-	-
05	MTR BLR	1184795	-	-	-	-	-	1	-	-	-	-	-	-	1	-
07	TRANSFORMER ASY	1177217	1	1	1	1	1	-	1	1	1	1	1	1	1	1
08	BOARD CONTROL	1184412	1	1	1	-	1	-	1	1	1	1	-	1	-	1
08	BOARD CONTROL	1184412	-	-	-	1	-	1	-	-	-	-	1	-	1	-
09	SWITCH DOOR S	1171981	1	1	1	1	1	1	1	1	1	1	1	1	1	1
10	BURNER ASY	1184318	-	1	-	-	-	-	-	-	1	-	-	-	-	-
10	BURNER ASY	1184319	-	-	1	1	-	-	-	-	-	1	1	-	-	-
10	BURNER ASY	1184320	-	-	-	-	1	1	-	-	-	-	-	1	1	-
10	BURNER ASY	1184321	-	-	-	-	-	-	1	-	-	-	-	-	-	1
10	BURNER ASY	1185566	1	-	-	-	-	-	-	1	-	-	-	-	-	-
11	SENSOR FLAME	1184322	1	1	1	1	1	1	1	1	1	1	1	1	1	1
12	IGNITOR	1176919	1	1	1	1	1	1	1	1	1	1	1	1	1	1
14	ORIFICE	1185574	2	3	4	4	5	5	6	2	3	4	4	5	5	6
15	VALVE GAS	1184393	1	1	1	1	1	1	1	1	1	1	1	1	1	1
15	VALVE GAS	1184393	-	-	-	1	-	1	-	-	-	-	1	-	1	-
17	SWITCH MAIN LIMIT	1184421	-	1	-	-	-	1	-	-	-	1	-	-	1	-
17	SWITCH MAIN LIMIT	1184422	-	-	1	-	-	-	-	-	-	1	-	-	-	-
17	SWITCH MAIN LIMIT	1184423	1	-	-	-	-	-	-	1	-	-	-	-	-	-
17	SWITCH MAIN LIMIT	1184424	-	-	-	-	1	-	1	-	-	-	-	1	-	1
17	SWITCH ASY MAIN LIMIT	1184879	-	-	-	1	-	-	-	-	-	-	1	-	-	-
18	INDUCER ASY	1185586	1	-	-	-	-	-	-	1	-	-	-	-	-	-
18	INDUCER ASY	1185587	-	-	1	-	-	-	-	-	-	1	-	-	-	-
18	INDUCER ASY	1185588	-	-	-	1	-	1	1	-	-	-	1	-	1	1
18	INDUCER ASY	1185589	-	-	-	-	1	-	-	-	-	-	-	1	-	-
18	INDUCER ASY	1185590	-	1	-	-	-	-	-	-	1	-	-	-	-	-
20	VENT ELBOW	1184313	1	1	1	1	1	1	1	1	1	1	1	1	1	1
23	TRAP ASY CONDENSING	1184288	1	1	1	1	1	1	1	1	1	1	1	1	1	1
26	SWITCH PRESSURE	1184413	1	1	-	-	-	-	-	1	1	-	-	-	-	-
26	SWITCH PRESSURE	1184414	-	-	1	-	-	-	-	-	-	1	-	-	-	-
26	SWITCH PRESSURE	1184415	-	-	-	1	1	1	1	-	-	-	1	1	1	1
27	LATCH DOOR	1184521	4	4	4	4	4	4	4	4	4	4	4	4	4	4
28	KNOB DOOR	1184520	4	4	4	4	4	4	4	4	4	4	4	4	4	4
29	PLATE LATCH	1184530	4	4	4	4	4	4	4	4	4	4	4	4	4	4
31	CHOKE POWER VS	1172838	-	1	1	1	1	1	1	-	1	1	1	1	1	1
33	BOX COUPLING	1184301	-	1	1	1	-	-	-	-	1	1	1	-	-	-

- continued on next page -

## PARTS LIST (continued)

KEY NO.	DESCRIPTION	FAST PARTS NO.	PARTS LIST (continued)													
			F9MXE0401410A1	F9MXE0601714A1	F9MXE0801716A1	F9MXE0802120A1	F9MXE1002116A1	F9MXE1002120A1	F9MXE1202422A1	G9MXE0401410A1	G9MXE0601714A1	G9MXE0801716A1	G9MXE0802120A1	G9MXE1002116A1	G9MXE1002120A1	G9MXE1202422A1
33	BOX COUPLING	1184302	-	-	-	-	1	1	-	-	-	-	-	1	1	-
33	BOX COUPLING	1184303	-	-	-	-	-	-	1	-	-	-	-	-	-	1
33	BOX COUPLING	1185562	1	-	-	-	-	-	-	1	-	-	-	-	-	-
35	CHOKE PLATE INDUCER INLET	1185619	-	1	-	-	-	-	-	-	1	-	-	-	-	-
35	CHOKE PLATE INDUCER INLET	1185620	1	-	-	-	1	1	-	1	-	-	-	1	1	-
16A	SWITCH LIMIT 350 F	1177033	1	1	1	2	1	2	1	1	1	1	2	1	2	1
16B	SWITCH LIMIT 350 F	1177033	-	-	1	-	1	-	1	-	-	1	-	1	-	1
16B	TEMP SWITCH ROLL-OUT	1184323	1	1	-	-	-	-	-	1	1	-	-	-	-	-
A	PLATE ASY TOP	1184270	-	1	1	-	-	-	-	-	1	1	-	-	-	-
A	PLATE ASY TOP	1184272	-	-	-	1	1	1	-	-	-	-	1	1	1	-
A	PLATE ASY TOP	1184273	-	-	-	-	-	-	1	-	-	-	-	-	-	1
A	PLATE ASY TOP	1185575	1	-	-	-	-	-	-	1	-	-	-	-	-	-
AA	PANEL CELL	1184522	-	1	-	-	-	-	-	-	1	-	-	-	-	-
AA	PANEL CELL	1184523	-	-	1	-	-	-	-	-	-	1	-	-	-	-
AA	PANEL CELL	1184524	-	-	-	-	1	1	-	-	-	-	-	1	1	-
AA	PANEL CELL	1184525	-	-	-	-	-	-	1	-	-	-	-	-	-	1
AA	PANEL CELL	1184824	-	-	-	1	-	-	-	-	-	1	-	-	-	-
AA	PANEL CELL	1185576	1	-	-	-	-	-	-	1	-	-	-	-	-	-
AB	GASKET DRAIN HOUSING	1185622	2	2	2	2	2	2	2	2	2	2	2	2	2	2
AC	GASKET INDUCER INLET	1185621	1	1	1	1	1	1	1	1	1	1	1	1	1	1
B	J BOX AUX	1184529	1	1	1	1	1	1	1	1	1	1	1	1	1	1
BB	GASKET FRONT CELL PANEL	1184309	-	1	1	1	-	-	-	-	1	1	1	-	-	-
BB	GASKET FRONT CELL PANEL	1184310	-	-	-	-	1	1	-	-	-	-	-	1	1	-
BB	GASKET FRONT CELL PANEL	1184311	-	-	-	-	-	-	1	-	-	-	-	-	-	1
BB	GASKET FRONT CELL PANEL	1185564	1	-	-	-	-	-	-	1	-	-	-	-	-	-
C	COVER BOX AUX J	1183422	1	1	1	1	1	1	1	1	1	1	1	1	1	1
CC	GASKET REAR CELL PANEL	1184304	-	1	1	1	-	-	-	-	1	1	1	-	-	-
CC	GASKET REAR CELL PANEL	1184305	-	-	-	-	1	1	-	-	-	-	-	1	1	-
CC	GASKET REAR CELL PANEL	1184306	-	-	-	-	-	-	1	-	-	-	-	-	-	1
CC	GASKET REAR CELL PANEL	1185563	1	-	-	-	-	-	-	1	-	-	-	-	-	-
D	SHELF ASY BLOWER	1184278	-	1	1	-	-	-	-	-	1	1	-	-	-	-
D	SHELF ASY BLOWER	1184279	-	-	-	-	1	1	-	-	-	-	-	1	1	-
D	SHELF ASY BLOWER	1184280	-	-	-	-	-	-	1	-	-	-	-	-	-	1
D	SHELF ASY BLOWER	1184826	-	-	-	1	-	-	-	-	-	-	1	-	-	-
D	SHELF ASY BLOWER	1185577	1	-	-	-	-	-	-	1	-	-	-	-	-	-
DD	TURBULATOR	1184308	21	30	30	30	36	36	45	21	30	30	30	36	36	45
E	HOUSING ASY BLOWER	1183464	-	-	-	-	-	-	1	-	-	-	-	-	-	1
E	HOUSING ASY BLOWER	1183495	-	-	-	1	1	-	-	-	-	-	1	1	-	-
E	HOUSING ASY BLOWER	1183532	-	1	1	-	-	-	-	-	1	1	-	-	-	-
E	HOUSING ASY BLOWER	1185572	1	-	-	-	-	-	-	1	-	-	-	-	-	-
EE	GASKET MAIN LIMIT	1184307	1	1	1	1	1	1	1	1	1	1	1	1	1	1
G	CUTOFF BLOWER	1176941	-	-	-	-	-	-	1	-	-	-	-	-	-	1
G	CUTOFF BLOWER	1183500	-	-	-	1	1	1	-	-	-	-	1	1	1	-
G	CUTOFF BLOWER	1183535	-	1	1	-	-	-	-	-	1	1	-	-	-	-
G	CUTOFF BLOWER	1185571	1	-	-	-	-	-	-	1	-	-	-	-	-	-
J	BRACKET CONTROL MTG	1183472	1	1	1	1	1	1	1	1	1	1	1	1	1	1
KK	HARNESS ASY BLOWER	1184505	1	1	1	1	1	1	1	1	1	1	1	1	1	1
L	DOOR ASY BLOWER	1184285	-	1	1	-	-	-	-	-	-	-	-	-	-	-
L	DOOR ASY BLOWER	1184286	-	-	-	1	1	1	-	-	-	-	-	-	-	-
L	DOOR ASY BLOWER	1184287	-	-	-	-	-	-	1	-	-	-	-	-	-	-
L	DOOR ASY BLOWER	1184370	-	-	-	-	-	-	-	-	1	1	-	-	-	-
L	DOOR ASY BLOWER	1184371	-	-	-	-	-	-	-	-	-	-	1	1	1	-
L	DOOR ASY BLOWER	1184372	-	-	-	-	-	-	-	-	-	-	-	-	-	1
L	DOOR ASY BLOWER	1184496	-	-	-	-	-	-	-	1	-	-	-	-	-	-
L	DOOR ASY BLOWER	1185559	1	-	-	-	-	-	-	-	-	-	-	-	-	-
LL	INDICATOR	1184526	1	1	1	1	1	1	1	1	1	1	1	1	1	1

- continued on next page -

## PARTS LIST (continued)

KEY NO.	DESCRIPTION	FAST PARTS NO.	F9MXE0401410A1	F9MXE0601714A1	F9MXE0801716A1	F9MXE0802120A1	F9MXE1002116A1	F9MXE1002120A1	F9MXE1202422A1	G9MXE0401410A1	G9MXE0601714A1	G9MXE0801716A1	G9MXE0802120A1	G9MXE1002116A1	G9MXE1002120A1	G9MXE1202422A1
M	SWITCH BRACKET DOOR	1184289	1	1	1	1	1	1	1	1	1	1	1	1	1	1
MM	BRACKET DOOR	1184290	-	1	1	-	-	-	-	-	1	1	-	-	-	-
MM	BRACKET DOOR	1184291	-	-	-	1	1	1	-	-	-	-	1	1	1	-
MM	BRACKET DOOR	1184292	-	-	-	-	-	-	1	-	-	-	-	-	-	1
MM	BRACKET DOOR	1185560	1	-	-	-	-	-	-	1	-	-	-	-	-	-
N	DOOR ASY CONTROL	1184282	-	1	1	-	-	-	-	-	-	-	-	-	-	-
N	DOOR ASY CONTROL	1184283	-	-	-	1	1	1	-	-	-	-	-	-	-	-
N	DOOR ASY CONTROL	1184284	-	-	-	-	-	-	1	-	-	-	-	-	-	-
N	DOOR ASY CONTROL	1184367	-	-	-	-	-	-	-	-	1	1	-	-	-	-
N	DOOR ASY CONTROL	1184368	-	-	-	-	-	-	-	-	-	-	1	1	1	-
N	DOOR ASY CONTROL	1184369	-	-	-	-	-	-	-	-	-	-	-	-	-	1
N	DOOR ASY CONTROL	1184495	-	-	-	-	-	-	-	1	-	-	-	-	-	-
N	DOOR ASY CONTROL	1185558	1	-	-	-	-	-	-	-	-	-	-	-	-	-
P	MANIFOLD	1184329	-	1	-	-	-	-	-	-	1	-	-	-	-	-
P	MANIFOLD	1184330	-	-	1	1	-	-	-	-	-	1	1	-	-	-
P	MANIFOLD	1184331	-	-	-	-	1	1	-	-	-	-	-	1	1	-
P	MANIFOLD	1184332	-	-	-	-	-	-	1	-	-	-	-	-	-	1
P	MANIFOLD	1184390	1	-	-	-	-	-	-	1	-	-	-	-	-	-
PP	PANEL ASY FILLER	1184547	-	1	1	-	-	-	-	-	1	1	-	-	-	-
PP	PANEL ASY FILLER	1184548	-	-	-	1	1	-	-	-	-	-	1	1	-	-
PP	PANEL ASY FILLER	1184549	-	-	-	-	-	-	1	-	-	-	-	-	-	1
PP	PANEL ASY FILLER	1185570	1	-	-	-	-	-	-	1	-	-	-	-	-	-
T	SUPPORT BURNER ASY	1184314	-	1	-	-	-	-	-	-	1	-	-	-	-	-
T	SUPPORT BURNER ASY	1184315	-	-	1	1	-	-	-	-	-	1	1	-	-	-
T	SUPPORT BURNER ASY	1184316	-	-	-	-	1	1	-	-	-	-	-	1	1	-
T	SUPPORT BURNER ASY	1184317	-	-	-	-	-	-	1	-	-	-	-	-	-	1
T	SUPPORT BURNER ASY	1185565	1	-	-	-	-	-	-	1	-	-	-	-	-	-
TT	BRACKET IGNITOR	1184324	1	1	1	1	1	1	1	1	1	1	1	1	1	1
VV	SCREW THD FORMING 1/4-20X1-1/4	1178570	4	4	4	4	4	4	4	4	4	4	4	4	4	4
X	COLLECTOR BOX ASY	1184293	-	1	1	-	-	-	-	-	1	1	-	-	-	-
X	COLLECTOR BOX ASY	1184294	-	-	-	1	1	-	-	-	-	-	1	1	1	-
X	COLLECTOR BOX ASY	1184295	-	-	-	-	-	-	1	-	-	-	-	-	-	1
X	COLLECTOR BOX ASY	1185561	1	-	-	-	-	-	-	1	-	-	-	-	-	-
XX	GASKET COLLECTOR BOX	1184334	-	1	1	1	-	-	-	-	1	1	1	-	-	-
XX	GASKET COLLECTOR BOX	1184335	-	-	-	-	1	1	-	-	-	-	-	1	1	-
XX	GASKET COLLECTOR BOX	1184336	-	-	-	-	-	-	1	-	-	-	-	-	-	1
XX	GASKET COLLECTOR BOX	1185567	1	-	-	-	-	-	-	1	-	-	-	-	-	-
Y	GASKET COLLECTOR BOX	1184337	2	2	2	2	2	2	2	2	2	2	2	2	2	2
YY	DRAIN PLUG COLLECTOR BOX	1184338	4	4	4	4	4	4	4	4	4	4	4	4	4	4
Z	BRACKET BLOWER MTG	1184326	2	2	2	2	2	2	2	2	2	2	2	2	2	2
ZZ	BRACKET HANGER	1184551	2	2	2	2	2	2	2	2	2	2	2	2	2	2
<b>PARTS NOT SHOWN</b>																
)	CHOKE PLATE OUTLET	1185623	1	-	-	-	-	-	-	1	-	-	-	-	-	-
)	KIT RUBBER PARTS	1184481	1	1	1	1	1	1	1	1	1	1	1	1	1	1
)	HARNESS ASY MAIN	1184506	1	1	1	1	1	1	1	1	1	1	1	1	1	1
)	BAG LOOSE PARTS	1184517	1	1	1	1	1	1	1	1	1	1	1	1	1	1
)	NAHA00901LP - KIT CONV NAT TO LP	1185603	1	1	1	1	1	1	1	1	1	1	1	1	1	1
)	NAHA00901NG - KIT CONV LP TO NAT	1185604	1	1	1	1	1	1	1	1	1	1	1	1	1	1