



HVACR MASTER DISTRIBUTOR

CATALOG



TABLE OF CONTENTS

TERMS AND CONDITIONS OF SALE	4
AIR CONDITIONING PRODUCTS	7
A/C WIRING KITS	8
CONDUITS	9
METALLIC FITTINGS	10
NON-METALLIC FITTINGS	11
PULLOUTS	12
DISCONNECTS	15
DRAIN ALERT®	17
QUICK CLIP	18
HUNG-RITE EQUIPMENT HANGER	19
LINE SETS AND ACCESSORIES	20
STANDARD & MINI SPLIT LINE SETS	21
FILTER DRIERS	22
SIGHT GLASSES	24
CAPACITORS	26
TURBO 200® SERIES	27
TURBO EASY-START®	28
TURBOLYTIC®	29
USA MADE CAPACITORS	30
DEFINITE PURPOSE CONTACTORS	32
NOARK CONTACTORS	33
EATON COMPACT CONTACTORS	34
EATON STANDARD CONTACTORS	35
CONTACTOR CROSS REFERENCE	37
NOARK AUXILIARY CONTACT KITS	39
EATON AUXILIARY CONTACT KITS	39
ELECTRICAL SERVICE PRODUCTS	40
EATON SAFETY SWITCHES GENERAL DUTY – NON-FUSIBLE	41
EATON SAFETY SWITCHES HEAVY DUTY – NON-FUSIBLE	42
EATON SAFETY SWITCHES GENERAL DUTY – FUSIBLE	43
EATON SAFETY SWITCHES HEAVY DUTY – FUSIBLE	44
EATON CIRCUIT BREAKERS	47
DITEK SURGE PROTECTORS	49
KOOL GUARD 2	50

FUSES	52
FUSE ACCESSORIES	53
CLASS CC FUSES	56
CLASS RK5 FUSES	57
CLASS K5 & H FUSES	61
CLASS G FUSES	63
CERAMIC & GLASS FUSES	64
SUPPLEMENTAL FUSES	69
PLUG FUSES & ADAPTERS	73
IN-LINE FUSES	75
BLADE & MINI BLADE FUSES	76
HVAC CONTROLS	78
MINIATURE PRESSURE SWITCHES	79
HEATING PRODUCTS	80
HEAT SEQUENCERS	81
HEAT RESTRING KITS	83
RELAYS AND TRANSFORMERS	84
FAN RELAYS	85
POTENTIAL RELAYS	86
FOOT MOUNT TRANSFORMERS	87
MULTI-MOUNT TRANSFORMERS	88
POWER TRANSFORMERS	89
FAN CENTERS	89
GAS	90
GAS BALL VALVES	91
GAS CONNECTORS	91
SPECIALTY PRODUCTS	92
CAMBRIDGE™ CABLE & DUCT TIES	93
SHORT-PRO TOOL	94
UNIVERSAL CAPACITOR MOUNT	94
TAPE AND MASTAGUM	95
WIRE NUTS	96
POWER SUPPLY CORDS	97

TERMS AND CONDITIONS OF SALE

ORDERS AND PAYMENTS TO:

Global the Source
1648 Northlake Pass
Universal City, Texas 78148

Telephone: 1 (800) 531 5967
1 (210) 226 8100
Fax: 1 (800) 336 6890
1 (210) 226 9696

MINIMUM ORDER: \$100.00

A \$25 minimum order fee will apply to all orders that do not meet the minimum requirement.

FREIGHT

Freight prepaid on orders of \$3,500.00 or more within the continental United States. Global reserves the right to pass along the fuel surcharge incurred on freight prepaid shipments. Claims for shortages or any other discrepancies must be reported within 10 days following receipt of shipment. Freight policy may be changed without notice.

PRICING

Prices are those in effect at the time of shipment and subject to change without notice.

SPECIAL ORDERS

Orders for non-stock items are non-cancelable and non-refundable.

PROPOSITION 65

In response to the California Safe Drinking Water and Toxic Enforcement Act of 1986 (Prop 65), Global has decided to provide warning labels for certain products that our manufacturers have deemed to contain one or more of the 900 chemicals listed by Prop 65 as being known to the state of California to cause cancer and/or reproductive harm. These warnings will be included on product shipped to California. If you are planning on shipping any Global product to California you must notify us at the time of order, so we may label product accordingly.

Please be informed that if you re-sell Global product that is subject to Prop 65 you must:

1. Provide a compliant warning for all internet sales.
2. Provide shelf warning for all sales of product not in their original packaging.

RETURN POLICY

ALL REQUESTS FOR PRODUCT RETURNS MUST BE PRE-APPROVED BY GLOBAL. CONTACT THE GLOBAL CUSTOMER SERVICE DEPARTMENT FOR RETURN AUTHORIZATION. GLOBAL IS NOT RESPONSIBLE FOR RETURN FREIGHT CHARGES.

RETURNS ARE AT GLOBAL'S DISCRETION. PRODUCT ELIGIBLE FOR RETURN MUST BE CURRENT

STOCKING INVENTORY PURCHASED FROM GLOBAL WITHIN THE LAST 18 MONTHS. RETURNED ITEMS MUST BE RECEIVED IN NEW, UNUSED AND RESELLABLE CONDITION IN ORDER TO RECEIVE FULL CREDIT. ELIGIBLE REFUND WILL BE ISSUED AS MERCHANDISE CREDIT VALID FOR 120 DAYS FROM DATE OF ISSUE.

NO STOCK RETURNS DURING PEAK SEASON (JUNE 1 – AUGUST 31)

1 (800) 531 5967

customerservice@globalthesource.com

WARRANTY POLICY

- Turbo200 Series Multi-Value Capacitors – Five (5) years
- TES5EXT – Three (3) years
- AmRad U.S.A. Made Capacitors – Five (5) years
- Noark Contactors – Five (5) years
- Mueller Streamline Line Set Insulation – Five (5) Years
- Mueller Streamline Line Set Copper Tubing – Ten (10) Years
- Drain Alert – Two (2) years
- Ditek Surge Protectors – Ten (10) years
- All other Global products – One (1) year

Global warrants that goods purchased for resale will be free from defects in material and workmanship under normal use and regular service and maintenance for the time periods stated from the date of purchase from Global.

This warranty shall not apply to any products which have been repaired or altered to affect its proper operation or subjected to misuse, improper installation or accident.

CAUTION: All products purchased are intended to be used by a licensed HVAC contractor.

If a product is defective due to workmanship or materials, is removed within the applicable warranty period and returned to Global in accordance with the procedure described below, Global will, at its option, replace or credit the wholesaler for the purchase price of the product.

WARRANTY PROCEDURE

1. Wholesaler must first obtain a return goods authorization number by contacting Global Customer Service.
2. Goods must be returned freight prepaid and properly identified by the "RGA Number".
3. Goods found to be defective in workmanship or materials will be replaced or credited at the lowest Global wholesale price paid by the wholesaler within the expressed warranty period.

The expressed warranty above constitutes the entire warranty of Global with respect to the products purchased from Global and IS IN LIEU OF ALL OTHER WARRANTIES, EXPRESSED OR IMPLIED, INCLUDING ANY WARRANTY OF MERCHANTABILITY OR WARRANTY OF FITNESS FOR PARTICULAR PURPOSE. IN NO EVENT SHALL GLOBAL BE RESPONSIBLE FOR ANY CONSEQUENTIAL DAMAGES OF ANY NATURE WHATSOEVER.





WE BELIEVE

We believe we should know our customers by name. And vice versa.

We believe the amount of courtesy should NOT be based on the amount purchased.

We believe in The Golden Rule.

We believe that when a customer calls, an actual person should answer the phone.

We believe in doing what's right, even when no one is looking.

We believe you shouldn't print anything in *this size font* that you wouldn't print in **this size font**.

We believe you get what you pay for.

We believe that if it sounds too good to be true- it probably is.

We believe Slow. And. Steady. Wins The Race.

We believe there is only so much you can learn from a book. Experience is earned and valued.



AIR CONDITIONING PRODUCTS

A/C WIRING KITS

CONDUITS

METALLIC FITTINGS

NON-METALLIC FITTINGS

PULLOUTS

DISCONNECTS

DRAIN ALERT®

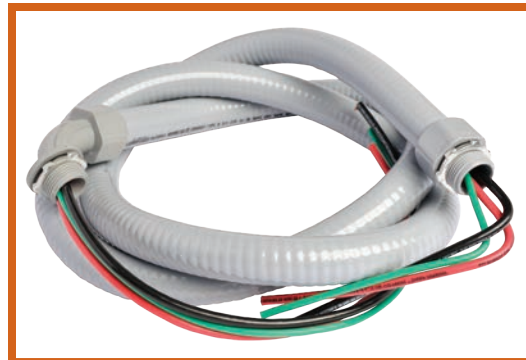
QUICK CLIP

HUNG-RITE EQUIPMENT HANGER

A/C WIRING KITS

240 VOLT, SINGLE PHASE A/C SEALPROOF® POWER WHIP

- Made in the USA
- Whip – Assembled with all UL Components
- Available in 1/2 inch and 3/4 inch conduit size
- 4 foot and 6 foot lengths
- Designed for easy installation
- Resists corrosion, oil, and water
- Outdoor, sunlight resistant
- Time saving convenience
- Individually bagged
- THHN Wire
 - Approved for up to 600V
 - Max Temperature Rating: 90°C (dry) 75°C (wet)
 - Copper Wire
 - VW-1 (UL)
 - RoHS Compliant



Call for Specialty Whips

Part Number	Size	Fitting	Wire Size	Case Qty	Pallet Qty
NON-METALLIC					
8071	1/2" x 4'	1-Straight-1-90°	#10THHN	40	400
8073	1/2" x 6'	1-Straight-1-90°	#10THHN	30	300
8075	3/4" x 4'	1-Straight-1-90°	#8THHN	30	300
8077	3/4" x 6'	1-Straight-1-90°	#8THHN	24	240
METALLIC					
8071M	1/2" x 4'	1-Straight-1-90°	#10THHN	40	400
8073M	1/2" x 6'	1-Straight-1-90°	#10THHN	30	300
8075M	3/4" x 4'	1-Straight-1-90°	#8THHN	30	300
8077M	3/4" x 6'	1-Straight-1-90°	#8THHN	24	240

CONDUITS

SEALPROOF® UL TYPE B FLEXIBLE, NONMETALLIC LIQUID-TIGHT CONDUIT

- Made in the USA
- Listed under the Underwriter's Laboratories
- CSA Certified by Canadian Standards Association
- 3/8 inch thru 2 inch trade size
- Use with SEALPROOF® straight or right angle connectors
- May also be used with metallic connectors for liquid-tight conduit
- Resists corrosion, abrasion, oil, water, acid, metal shavings, and rough environments
- Resists abuse, pull and crushing
- UL Rating: 80°C dry, 60°C wet. 70°C oil resistant
- Outdoor, sunlight resistant, direct burial
- CSA rating – 18°C to 75°C
- Smooth inside for easier wire pulling, no hazardous sharp edges or burrs, will not damage conductors
- Light weight and lower installed cost
- Quick installation, cuts with utility knife or PVC cutter
- Integral rigid & flexible PVC construction. Phthalate Free.
- Certifications
 - UL File Reference: E129973
 - NEC 410, 430, 440, 250, 356
 - RoHS Compliant

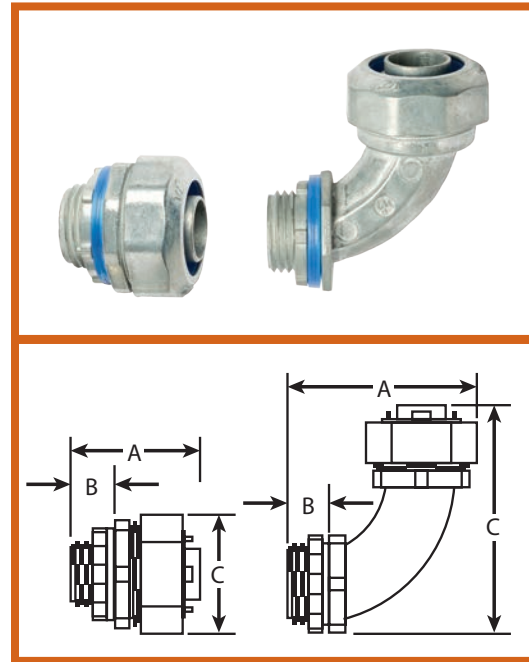


Part Number	Size	O.D. Min-Max	I.D. Min-Max	Case Qty
8040	1/2" x 100' Roll	.820 – 840"	.622 – .642"	1
8040-25	1/2" x 25' Roll			1
8040-50	1/2" x 50' Roll	1.030 – 1.050"	.820 – 840"	1
8041	3/4" x 100' Roll			1
8041-25	3/4" x 25' Roll			1
8041-50	3/4" x 50' Roll	1.290 – 1.315"	1.041 – 1.066"	1
8050	1" x 100' Roll			1

METALLIC FITTINGS

STRAIGHT AND 90° ZINC DIE CAST LIQUID-TIGHT CONNECTORS

- 1/2", 3/4" and 1" stocked, with more sizes available
- For use with both Metallic Liquid Tight Conduit and Nonmetallic Liquid Tight Type B
- Zinc die cast construction resists salt water, weak acids, gasoline, alcohol, oil, grease, & common solvents
- Resistant to outdoor weather conditions
- No disassembly required. Instead, the installer simply twists the conduit or tubing onto the ferrule, tightening the domed sealing nut. The completed assembly can then be secured in the chassis by the locknut (or first secure the connector into an NPT threaded hole)
- No threading of the conduit or tubing required to install, eliminating the possibility of cutting the conduit & creating leak paths
- Complete conduit/connector system is reusable. Conduit will not wind tight onto the connector during assembly & can be easily removed by pulling while turning clockwise
- Suitable for indoor/outdoor use; for original equipment manufacturers or field installers
- Lower installed cost
- "O" Ring & zinc locknut included
- 90° types have smooth internal surfaces for easier wire installation around corner angles

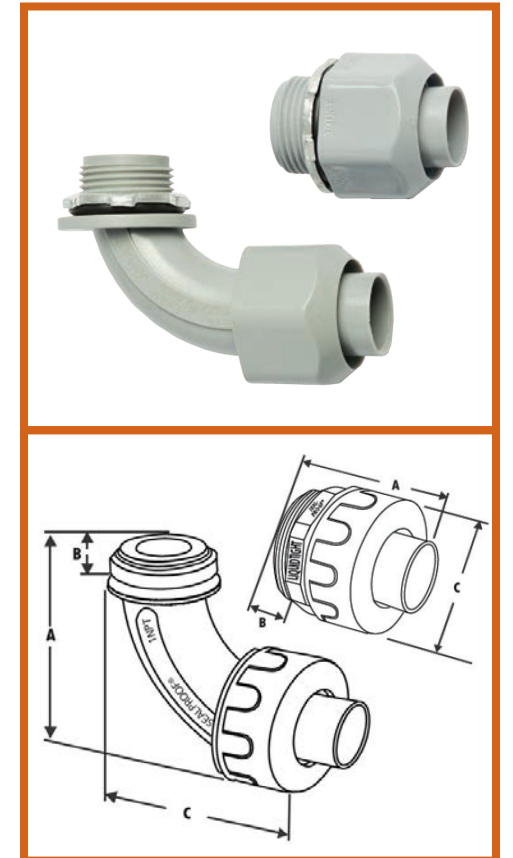


Part Number	Type	K.O. Size	Dim. A	Dim. B	Dim. C	Case Qty
8042M	Straight	1/2"	1.58"	1.18"	0.53"	100
8043M	Straight	3/4"	1.69"	1.57"	0.58"	100
8044M	Straight	1"	2.06"	1.81"	0.58"	25
8045M	90°	1/2"	2.24"	2.46"	0.53"	100
8046M	90°	3/4"	2.47"	2.47"	0.55"	100
8047M	90°	1"	3.46"	3.86"	0.58"	25

NON-METALLIC FITTINGS

LIQUID-TIGHT NON-METALLIC SEALPROOF® CONNECTORS

- Listed under the Underwriter's Laboratories
- 1/2", 3/4" and 1" stocked, with more sizes available
- All nylon construction resists salt water, weak acids,- gasoline, alcohol, oil, grease, and common solvents
- No disassembly required. Instead, the installer simply pushes the conduit or tubing onto the ferrule, tightening the domed sealing nut. The completed assembly can then be secured in the chassis by the locknut (or first secure the connector into a NPT threaded hole)
- No threading of the conduit or tubing is required to install, eliminating the possibility of cutting the conduit and creating leak paths
- Complete conduit/connector system is reusable. Conduit will not wind tight onto the connect ordering assembly and can be easily removed by pulling while turning in a clockwise direction
- Suitable for indoor/outdoor use; for original equipment manufacturers or field installers
- Lower installed cost
- Molded of type nylon 6. Flammability classification 94V-2: temperature index 125°C
- Smooth internal surfaces for easier wire installation around corner angles
- One-piece or multi-piece design
- "O" Ring and steel locknut included



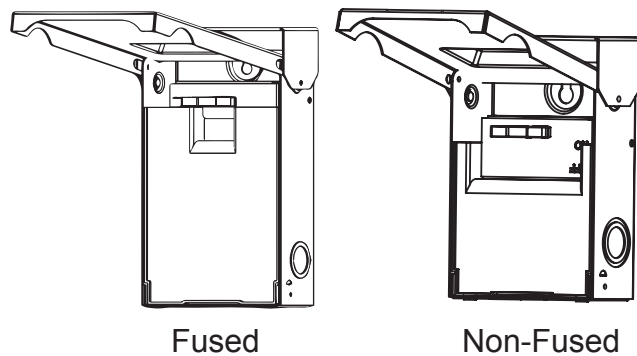
Part Number	Type	K.O. Size	Dim. A	Dim. B	Dim. C	Case Qty
8042	Straight	1/2"	1.750"	0.500"	1.250"	100
8042X	Straight Multi-Piece	1/2"	2.000"	0.540"	1.400"	25
8043	Straight	3/4"	1.800"	0.625"	1.500"	100
8043X	Straight Multi-Piece	3/4"	2.200"	0.635"	1.700"	10
8044	Straight	1"	2.280"	0.740"	2.000"	5
8045	90°	1/2"	1.875"	0.500"	3.125"	100
8045X	90° Multi-Piece	1/2"	2.120"	0.500"	3.120"	10
8046	90°	3/4"	2.375"	0.625"	3.500"	100
8046X	90° Multi-Piece	3/4"	2.500"	0.520"	3.600"	10
8047	90°	1"	3.125"	0.700"	4.125"	5

UPGRADED DESIGN

Fused & Non-Fused 30 AMPS & 60 AMPS Air Conditioner Pull-Out Disconnects

- Durable Material - Made with high quality materials Powder Coated Galvanized Steel enclosure is NEMA 3R rated, ANSI certified and UL listed.
- High Capacity, this AC disconnect can handle heavy electrical loads, providing efficient and reliable performance
- Easy to Install - Featuring a simple and easy-to-use design, these AC disconnects can be easily installed by a licensed contractor.
- Convenient Knockouts - 6 multi-size knockouts on 4 sides in 1/2" 3/4" & 1" trade sizes.
- Fused & Non-Fused Pullouts - Indicate on/off position
- Padlockable Door - For safety and security, enclosure can be locked with pullout stored inside in the off position
- Non-Fusible Pullout 60 AMPS, 120/240 Volts
- Fusible Pullout 30 AMPS & 60 AMPS, 120/240 Volts
- Non-Fused Size: 2 3/4" in. W x 7 1/2" in. H x 5 1/8" in. L
Fused Size: 2 3/4" in. W x 8 3/4" in. H x 5 1/8" in. L
- cULus Listed

**NEW
SMALLER SIZE!**



Part Number	Enclosure Material	Phase	Main Amp Rating	Case Qty
FUSIBLE, PULLOUT				
G8062	Galvanized Steel	1	30A	10
G8063	Galvanized Steel	1	60A	10
NON-FUSIBLE, PULLOUT				
G8064	Galvanized Steel	1	60A	10



- Standard pullout when fusible protection is or isn't required
- On/Off control provided by a pullout handle
- Pullout handle can be conveniently stored in the compartment in the OFF position, helping prevent the handle from being misplaced
- Protective shield cannot be removed until the pullout handle is removed, disconnecting the power
- Application include air conditioners, heat pumps, water heaters and other locations where a local disconnect is required
- Single-phase, two-wire, 240 VAC and three-phase, three-wire, 240 VAC
- NEMA 3R outdoor enclosures offered in metallic and non-metallic versions
- Easy-to-remove front cover (no screws or fasteners to remove) and high-strength protective shield for easier wiring and mounting
- 1" knockouts on the bottom, back and side of unit
- Copper-rated line and load lugs that are easily accessible
- Ample wiring space for mounting with a stud gun (single keyhole, two- or three-point mounting)
- Fused metallic devices are service entrance rated
- Metallic enclosures are bottom entry and exit only
- Non-metallic Enclosures
 - Knockouts and a hub provision for top access
 - Single unit door and protective shield for installer convenience
 - Durable and provide excellent resistance to climate changes
- Certification
 - UL listed File No. E132354, E143893, E196365



8064 Available in premium packaging and display box



HANDLE FOR PULLOUT



- Replacement aftermarket pullout head
- UL Listed and CSA Certified

Part Number	Description
8061	Handle For Pullout

Part Number	Main Amp Rating	Wire Size Range Cu/Al 60°C to 75°C	Max Hp Rating		Case Qty
			120 V	240 V	
FUSIBLE, GALVANIZED STEEL					
8062	30A	#14-3	2	3	10
8063	60A	#14-3	3	10	10
FUSIBLE, NON-METALLIC					
8062NM	30A	#14-2	2	3	10
8063NM	60A	#14-2	3	10	10
NON-FUSIBLE, GALVANIZED STEEL					
8064	60A	#14-3	-	10	5
NON-FUSIBLE, NON-METALLIC					
8064NM	60A	#14-2	3	10	10
8064P*	60A	#14-3	-	10	5

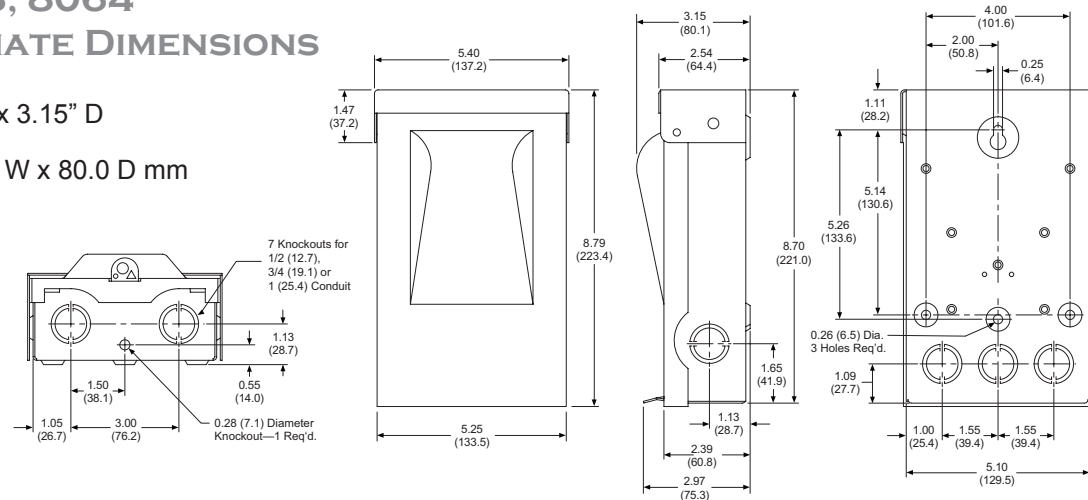
WARNING: Cancer and Reproductive Harm | www.P65Warnings.ca.gov





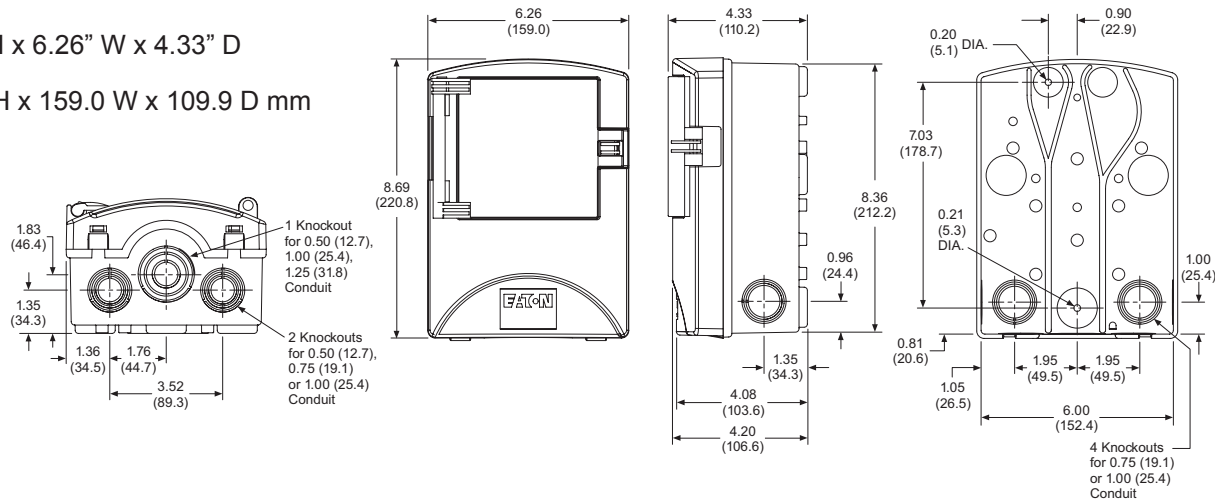
8062, 8063, 8064 APPROXIMATE DIMENSIONS

- 8.7" H x 5.4" W x 3.15" D
- 220.9 H x 137.2 W x 80.0 D mm



8062NM, 8063NM, 8064NM APPROXIMATE DIMENSIONS

- 8.63" H x 6.26" W x 4.33" D
- 219.0 H x 159.0 W x 109.9 D mm

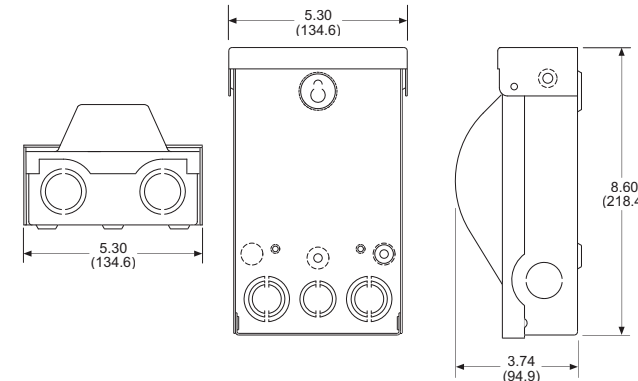


PART NUMBER CROSS REFERENCE						
Global	Eaton	Square D	GE	Siemens® (Murray®)	Milbank	Midwest
FUSIBLE PULLOUTS						
8062	DPF221R	—	TF30R	WF2030	U3830	U035F2
8063	DPF222R	—	TR60R	WF2060	U3860	U065F1
8062NM	ACD221RNM-A2	—	TPF30R	WF2030PL	—	P035F
8063NM	ACD222RNM-A2	—	TPF60R	WF2060PL	—	P065F
NON-FUSIBLE PULLOUTS						
8064	DPU222R	—	TRN60R	—	U3800	U065P010
8064NM	ACD222URNM-A2	—	TPN60R1	WN2060PL	—	P065P1



NON-FUSIBLE MOLDED CASE SWITCH DISCONNECT

- Rugged molded case construction in a disconnect switch that looks like a circuit breaker but operates like an ordinary household light switch
- Plug-in molded case switch eliminates the need for pullout handles
- No need for replacement pullout handles due to loss or theft
- NEMA 3R outdoor enclosure
- Approximate Dimensions
 - 8.6" H x 5.3" W x 3.74" D
 - 218.4 H x 134.6 W x 95.0 D mm



Part Number	Enclosure Material	Main Amp Rating	Phase	Wire Size Range Cu/Al 60°C to 75°C	Max Hp Rating			Case Qty
					240 V	480 V	600 V	
8068	Galvanized Steel	60A	1	#14-3	10 HP	—	—	10
80643P	Galvanized Steel	60A	3	#14-4	15 HP	30 HP	40 HP	5

PART NUMBER CROSS REFERENCE						
Global	Eaton	Square D	GE	Siemens® (Murray®)	Milbank	Midwest
8068	DPB222R	QO200TR	TNA60R1	WNAS2060	—	U065NA1
80643P	DPU362RA	—	—	—	—	U0653F

DISCONNECTS CONT.

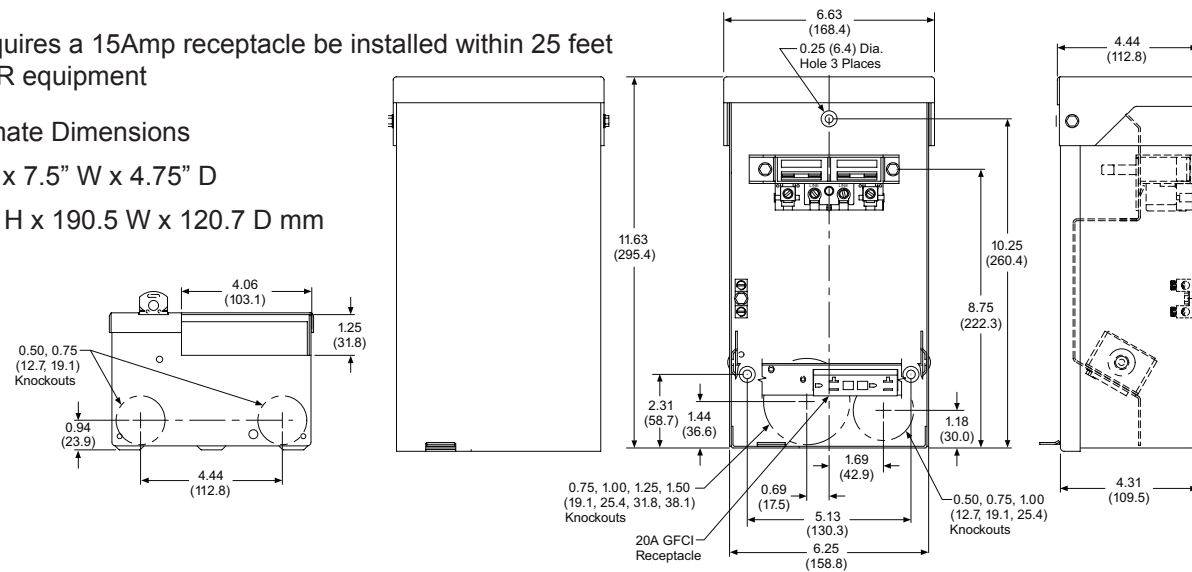


A/C DISCONNECT WITH GFI RECEPTACLE

The GFI features an exclusive rotating receptacle housing, allowing the contractor to wire the unit without removing the receptacle. This rotating feature is offered only by Eaton. For safety and clarity purposes, instructions and ratings are clearly marked on dead front housing. While this disconnect is convenient for contractors, it is also convenient for homeowners who can use the outlets as safe, additional power sources.



- NEMA 3R outdoor enclosure
- Built-in 15 A, 120 VAC ground fault receptacle
- Rotating receptacle for easy wiring
- Complies with 2008 NEC Article 406.8 (A), 406.11 and 210.63 requirements
- Code requires a 15Amp receptacle be installed within 25 feet of HVACR equipment
- Approximate Dimensions
 - 13" H x 7.5" W x 4.75" D
 - 330.2 H x 190.5 W x 120.7 D mm



Part Number	Main Amp Rating	Wire Size Range Cu/Al 60°C to 75°C	Max Hp Rating 120 V 240 V		Case Qty
240 VAC FUSIBLE, GALVANIZED STEEL					
8062GFI	30A	#14-3	2	3	10

PART NUMBER CROSS REFERENCE						
Global	Eaton	Square D	GE	Siemens® (Murray®)	Milbank	Midwest
8062GFI	DPF221RGF15	-	-	WF2030GFCI	-	U035F010

WARNING: Cancer and Reproductive Harm | www.P65Warnings.ca.gov

WWW.GLOBALTHESOURCE.COM | 800.531.5967



DRAIN ALERT®



DRAIN ALERT® is versatile, built for primary and auxiliary drain pan outlets. It is compact enough to fit in vertical and horizontal applications. The sensor comes with a 1/2" opening and no extra washer is needed to avoid premature cut off. A plenum wire model is also available for commercial building code requirements.



- Made of durable impact resistant material
- Can be used on all 24 V systems
- Translucent body allows for a quick visual inspection of water presence
- Easy to install
- 2 year warranty
- Made in the USA
- No gluing or cutting existing drain lines
- Prewired 18 – 72" lead
- Designed & engineered to be compatible with all makes/models of air handlers
- Vertical deep well rotating head for a secure mount
- For use in metal or plastic drain pans
- Plenum wire model available
 - 60" lead



**NO GLUING!
NO CUTTING!
NO REROUTING!**

Exclusive Distributor

Global Part Number	Cross Reference (RectorSeal)	Description	Case Qty
DRAIN ALERT	SS2	Condensate Float Switch	48
DRAIN ALERT PL	SS2AP	Condensate Float Switch Plenum Wire	48

WARNING: Cancer and Reproductive Harm | www.P65Warnings.ca.gov

WWW.GLOBALTHESOURCE.COM | 800.531.5967

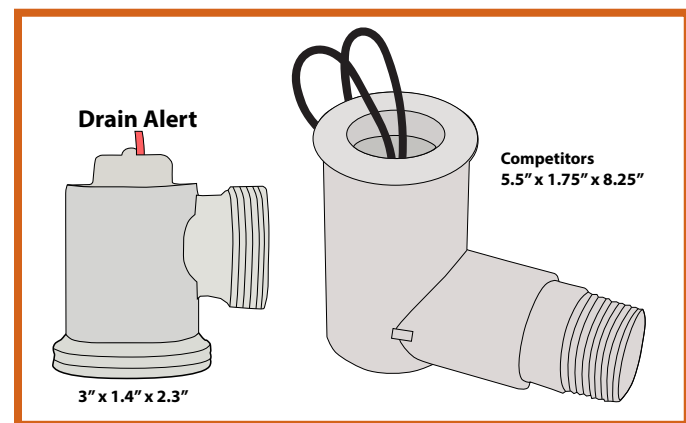


QUICK CLIP

The Quick Clip safety switch control is designed to clip onto the side of metal auxiliary drain pans. Equipped with a magnetic float, the unit comes completely sealed with a factory prewired lead.

This switch has been designed to work in conjunction with water only. When the float rises, the circuit will break open and the system will shut down.

- Prewired 18 – 48" lead
- For use in metal drain pans only
- Encased in the same superior packaging as Drain Alert
- Made of durable impact resistant material
- Can be used on all 24 V systems
- Translucent body allows for quick visual inspection of water presence
- Easy to install
- 2 year warranty
- Made in the USA



Global Part Number	Cross Reference (RectorSeal)	Description	Case Qty
QUICKCLIP	SS3	Remote Safety Switch Control	48

The Original **DRAIN ALERT**



CLIP! CONNECT! DONE

Exclusive **(G) GLOBAL** Distributor

HUNG-RITE EQUIPMENT HANGER

HUNG-RITE
HVAC Equipment Hangers

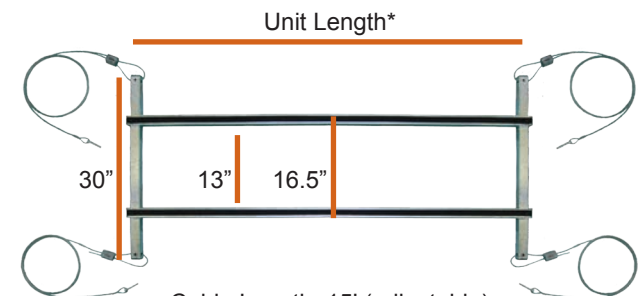
HVAC EQUIPMENT HANGER

The Hung-Rite HVAC Equipment Hanger is a fully assembled HVAC equipment support unit capable of holding up to a five ton air handler, or a furnace and coil set weighing up to 400 lbs. Unbox, unfold, make your holes, and hang it rite. The hanger utilizes cable locks for quick leveling and is equipped with 3½" bolts for suspension in a variety of places. Hung-Rite's hanger gives proper support to eliminate equipment buckling and leaves equipment unobstructed for future maintenance. Predrilled holes are located on the arms, for threaded rod during your commercial installations.

- UL Listed
- Hanger comes fully assembled and ready for installation
- Uses padding to reduce vibration, for quieter equipment operation
- Cable locks allow easy leveling of your equipment
- Hanger is collapsible, and easy to take anywhere
- HVAC contractor designed
- Has separate holes drilled for threaded-rod installations
- Supports up to a 5 ton air handler or furnace & coil weighing up to 400 lbs
- California hanging advisements of installing/hanging cables at a 45-Degree angle to minimize sway in case of an earthquake



INSTALLED IN AS LITTLE AS 15 MINUTES!



Cable Length: 15' (adjustable)
Cable Diameter: 3/32"
Bolt Length: 3.5"



SEE JUST HOW EASY IT IS!



Exclusive **(G) GLOBAL** Distributor

Part Number	*Unit Length	Pallet Qty	Min. Order Qty
HUNG-RITE	66"	48	8
HUNG-R33	33"	48	8
HUNG-R56	56"	48	8
HUNG-R78	78"	48	20



WARNING: Cancer and Reproductive Harm | www.P65Warnings.ca.gov

WWW.GLOBALTHESOURCE.COM | 800.531.5967

WARNING: Cancer and Reproductive Harm | www.P65Warnings.ca.gov

WWW.GLOBALTHESOURCE.COM | 800.531.5967





STANDARD AND MINI SPLIT LINE SETS

FILTER DRIERS

SIGHT GLASSES

STANDARD & MINI SPLIT LINE SETS



Global, The Source is proud to be a stocking distributor of Streamline® Line Sets, an industry leader for decades. Mueller Industries leverages their many years of experience and expertise producing copper tube in every line set they make.



STREAMLINE® LINE SET FEATURES

- Made and assembled in the USA
- Copper Tube UL Recognized to 700 PSI MWP
- 10-year limited manufacturing warranty on copper tube
- R410A Engineered and Tested
- ASTM B1003



DURAGUARD UV™

INSULATION FEATURES

- Abrasion and weather resistant polymeric jacket, providing the best protection in the industry
- Operating Temperature Range: -70°F to +220°F (ASTM C534)
- Insulating properties of elastomeric foam
- 5-year limited manufacturer warranty on insulation including UV Resistance
- Compliances: ASTM E 84 25/50, 2012/2015 IECC (Res. + Comm.), ASTM G153, UL 94 (fire stop), and CA Title 24, Section 120.3

CURRENTLY AVAILABLE 1/2" DURAGUARD UV INSULATION WITH STRAIGHT ENDS

Part Number	Liquid Line	Suction Line	Length	Pallet Qty
SUCTION LINE ONLY				
00420500C	-	1/4"	50'	12
00620500C	-	3/8"	50'	8
00820500C	-	1/2"	50'	7
MINI SPLIT				
40620250B6C	1/4"	3/8"	25'	12
40620500B6C	1/4"	3/8"	50'	7
40820250B6C	1/4"	1/2"	25'	12
40820500B6C	1/4"	1/2"	50'	5
41020250B6C	1/4"	5/8"	25'	8
41020500B6C	1/4"	5/8"	50'	7
61020250B6C	3/8"	5/8"	25'	12
61020500B6C	3/8"	5/8"	50'	7
61220250B6C	3/8"	3/4"	25'	8
61220500B6C	3/8"	3/4"	50'	5

"R" Value for 1/2" insulation = R3

Other sizes available upon request, call for details!

UL recognized to 700 PSI

WHY CHOOSE STREAMLINE® DURAGUARD UV™ LINE SETS?

MATERIALS MATTER.

		POLYETHYLENE (PE)
Elastomeric Rubber Insulation	✓	✗
Sunlight (UV) Resistant	✓	✗
Mechanical Abuse Resistant	✓	✗
Insulation Warranty	✓	✗
Fire Stop Compliant (UL94)	✓	✗
CA Title 24 Compliant	✓	✗

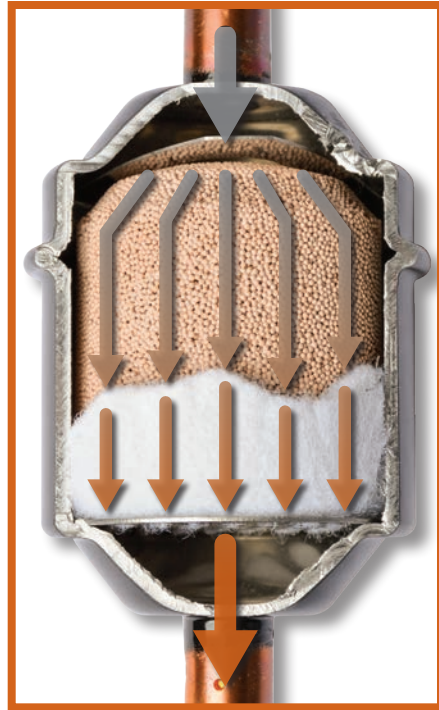
Comparison based on Streamline® line set products



FILTER DRIERS



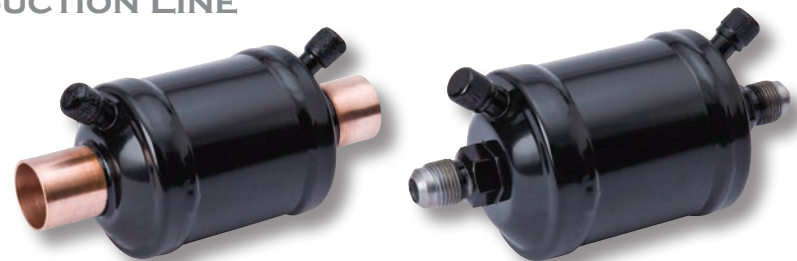
- Design Pressure (DP) / Maximum abnormal pressure (MAP): 700 psig
- Maximum working temperature: 160°F/70°C
- Compatible with all CFC, HCFC, HFC and HFO refrigerants and oils, and refrigerants requiring XH-11 desiccant
- UL/cUL Listed, Conforms to Pressure Equipment Directive 2014/68/EU
- Solid core design
- High retention filter for removal of particulate as small as 25 microns
- High pressure shell and connections
- Powder paint finish approved for marine applications
- 100% copper connection for solder models



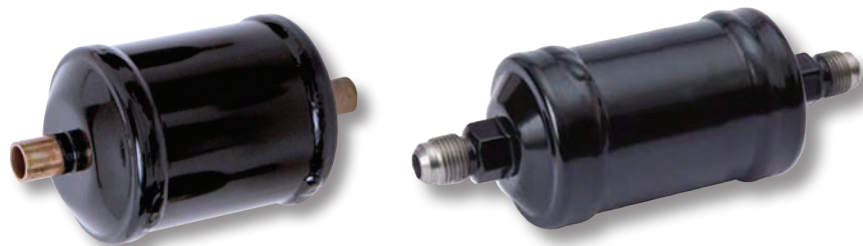
LIQUID LINE



SUCTION LINE



HEAT PUMP



FILTER DRIERS CONT.



Part Number	Cubic Inches	Connection Size	Overall Dimensions Length x Diameter	Case Qty
LIQUID LINE SOLDER CONNECTION				
SD-032	3	1/4"	4.03" x 1.85"	25
SD-033	3	3/8"	4.03" x 1.85"	25
SD-052	5	1/4"	4.40" x 2.32"	25
SD-053	5	3/8"	4.40" x 2.32"	25
SD-082	8	1/4"	5.43" x 2.32"	25
SD-083	8	3/8"	5.43" x 2.32"	25
SD-084	8	1/2"	5.71" x 2.32"	25
SD-163	16	3/8"	5.79" x 3.12"	16
SD-164	16	1/2"	6.06" x 3.12"	16
SD-165	16	5/8"	6.22" x 3.12"	16
SD-166	16	3/4"	6.69" x 3.12"	16
SD-167	16	7/8"	6.77" x 3.12"	16
SD-303	30	3/8"	8.79" x 3.15"	10
SD-304	30	1/2"	9.07" x 3.15"	10
SD-305	30	5/8"	9.22" x 3.15"	10
SD-306	30	3/4"	9.70" x 3.15"	10
SD-307	30	7/8"	9.78" x 3.15"	10
SD-309	30	1 1/8"	9.81" x 3.15"	10
SD-413	41	3/8"	8.81" x 3.65"	10
SD-414	41	1/2"	9.09" x 3.65"	10
SD-415	41	5/8"	9.24" x 3.65"	10
SD-417	41	7/8"	9.80" x 3.65"	10

Part Number	Cubic Inches	Connection Size	Overall Dimensions Length x Diameter	Case Qty
LIQUID LINE FLARE CONNECTION				
FL-032	3	1/4"	4.29" x 1.85"	25
FL-033	3	3/8"	4.81" x 1.85"	25
FL-052	5	1/4"	4.66" x 2.32"	25
FL-053	5	3/8"	5.18" x 2.32"	25
FL-082	8	1/4"	5.71" x 2.32"	25
FL-083	8	3/8"	6.22" x 2.32"	25
FL-084	8	1/2"	6.54" x 2.32"	25
FL-162	16	1/4"	6.05" x 3.12"	16
FL-163	16	3/8"	6.57" x 3.12"	16
FL-164	16	1/2"	6.89" x 3.12"	16
FL-165	16	5/8"	7.25" x 3.12"	16
FL-303	30	3/8"	9.57" x 3.15"	10
FL-304	30	1/2"	9.89" x 3.15"	10
FL-305	30	5/8"	10.25" x 3.15"	10
FL-413	41	3/8"	9.59" x 3.65"	10
FL-414	41	1/2"	9.91" x 3.65"	10
FL-415	41	5/8"	10.27" x 3.65"	10

Part Number	Cubic Inches	Connection Size	Overall Dimensions Length x Diameter	Case Qty
SUCTION LINE SOLDER CONNECTION				
FDS-166-TT	16	3/4"	6.69" x 3.12"	16
FDS-167-TT	16	7/8"	6.77" x 3.12"	16
FDS-169-TT	16	1 1/8"	6.81" x 3.11"	16
FDS-306-TT	30	3/4"	9.70" x 3.11"	10
FDS-307-TT	30	7/8"	9.78" x 3.11"	10
FDS-309-TT	30	1 1/8"	9.81" x 3.11"	10
FDS-4111-TT	41	1 3/8"	10.27" x 3.65"	10

Part Number	Cubic Inches	Connection Size	Overall Dimensions Length x Diameter	Case Qty
HEAT PUMP SOLDER CONNECTION				
HPS-083	8	3/8"	5.31" x 2.65"	25
HPS-084	8	1/2"	5.59" x 2.65"	25
HPS-163	16	3/8"	5.87" x 3.15"	16
HPS-164	16	1/2"	6.14" x 3.15"	16
HPS-165	16	5/8"	6.30" x 3.15"	16
HPS-304	30	1/2"	9.13" x 3.15"	16
HPS-305	30	5/8"	9.29" x 3.15"	16
HPS-307	30	7/8"	9.84" x 3.15"	16

Part Number	Cubic Inches	Connection Size	Overall Dimensions Length x Diameter	Case Qty
HEAT PUMP FLARE CONNECTION				
HPF-083	8	3/8"	6.09" x 2.65"	25
HPF-084	8	1/2"	6.41" x 2.65"	25
HPF-163	16	3/8"	6.65" x 3.15"	16
HPF-164	16	1/2"	6.97" x 3.15"	16
HPF-165	16	5/8"	7.33" x 3.15"	16
HPF-304	30	1/2"	9.96" x 3.15"	16
HPF-305	30	5/8"	10.32" x 3.15"	16

You can also call to request
ANY Mueller Filter Drier



SIGHT GLASSES



- 30% larger viewing window than leading competitor
- Continuous operating temperature (COT):
-40°F/185°F, -40°C/85°C
- Contact factory or visit website for compatibility with CFC, HCFC, HFC and HFO refrigerants and oils
- Designed for maximum flow and minimum pressure drop with large viewing window and indicator for better visibility
- Provides accurate identification of system conditions



Part Number	Connection Size	Length x Height	Maximum abnormal pressure (MAP)		Case Qty
			psig	bar	
SOLDER X SOLDER EXTENDED TUBE					
SGS-02	1/4"	4.5" x 1.06"	700	48	56
SGS-03	3/8"	4.5" x 1.06"	700	48	56
SGS-04	1/2"	5.74" x 1.06"	700	48	56
SGS-05	5/8"	5.74" x 1.03"	700	48	56
SGS-06	3/4"	6.71" x 1.49"	775	53	48
SGS-07	7/8"	6.71" x 1.49"	775	53	48
M X F FLARE					
SG-02	1/4" x 7/16"-20 UNF	2.45" x 1.06"	700	48	56
SG-03	3/8" x 5/8"-18 UNF	3" x 1.3"	700	48	56
SG-04	1/2" x 3/4"-16 UNF	2.85" x 1.3"	700	48	56





CAPACITORS

TURBO 200® SERIES

TURBO EASY-START®

TURBOLYTIC®

USA MADE CAPACITORS

TURBO 200® SERIES



Eliminate the need to inventory more than 200 individual capacitors, single or dual value, up to 440 V, with the world's first universal line of multi-tapped, fluid-filled, metal can, motor-run and motor-start capacitors. Made in the USA and backed by a 5 year warranty.

- Made in the USA
 - Manufactured in Palm Coast, Florida
- Filled with a thick non-PCB dielectric fluid to reduce heat
- Rust free all brass terminals
- 5 Year Warranty
- Each Turbo 200® and 200X are individually tested and labeled with exact MFD ratings at completion of manufacturing and come with the Compressor Protector Terminal (CPT®)



Exclusive Distributor



TURBO 200® WITH CPT®

- Run capacitor that replaces over 200 single or dual values up to 67.5 MFD

TURBO 200® X WITH CPT®

- Run capacitor that replaces any of the higher range single or dual capacitors used in scroll compressors and higher efficiency A/C units, values up to 97.5 MFD

TURBO 200® MINI AND MINI-OVAL

- Run capacitor for fan size values 2.5 MFD to 15 MFD



View Turbo Informational and Installation Videos on our YouTube

EVERY HARD-START NEEDS CPT®



Compressor Protector Terminal
CPT® acts as a kill switch between the hard-start and compressor in the event of a failed run capacitor; preventing damage and possible compressor failure.



Although AmRad capacitors have an extremely low failure rate, the CPT® has been introduced to ensure American consumers are always protected.

Part Number	Value Range	Voltage Range	Case Qty
TURBO200	2.5 to 67.5 MFD	370/440 V	20
TURBO200X	5 to 97.5 MFD	370/440 V	20
TURBOMINI	2.5 to 15 MFD	370/440 V	50
TURBOMINIOVAL	2.5 to 15 MFD	370/440 V	50

For quality performance and your safety

These Turbo® capacitors have been tested and approved to the highest certification level of UL (Underwriters Laboratories) Standard 810; 10,000 AFC; Protected. (As required for all "original equipment" motor-run capacitors). These Turbo® capacitors are produced under one or more U.S. patents with additional U.S. and foreign patents pending.

WARNING: Cancer and Reproductive Harm | www.P65Warnings.ca.gov



TURBO EASY-START®



The Turbo Easy-Start® 5 is truly universal, providing one hard start for every application. It reduces excessive inventory for simpler repairs by replacing hard start kits for units up to 5 tons.

THE ONLY TRULY UNIVERSAL HARD-START KITS

- Made in the USA (Manufactured in Palm Coast, Florida)
- With **internal** or **external** potential relay
- 5 Year warranty for TES5; 3 year warranty for TES5EXT
- The AmRad Difference:
 - Filled with a thick non-PCB dielectric fluid to reduce heat
 - Rust free all brass terminals
 - 2-wire universal, "low-loss" metallized motor-start capacitor
 - TES5's built-in potential relay is completely enclosed and watertight; ideal for corrosive environments
- Pairs perfectly with the Compressor Protector Terminal (CPT®) on AmRad's Turbo 200®, Turbo 200®X and USA Herm sizes to protect your compressor in the event of a run capacitor failure



View Video on CPT®

Exclusive Distributor

Part Number	Potential Relay	Value Range	Voltage Range	Case Qty
TES5	Internal	Up to 324 MFD	Up to 330 V	18
TES5EXT	External			18

COLOR CODED EASY INSTALL

- Both models replace 4 commonly used hard-start kits up to 5 tons (wires included)

1. Choose size

- » Up to 1 TON (108 - 130 MFD)
No jumper cable needed
- » **1 - 2 TONS (189 - 227 MFD)**
- » **2.5 - 3 TONS (233 - 280 MFD)**
- » **3.5 - 5 TONS (270 - 324 MFD)**



View the TES5 Install Video



EASY INSTALL DIAGRAM RIGHT ON THE CAN

2. Match colors
3. Connect to capacitor



WARNING: Cancer and Reproductive Harm | www.P65Warnings.ca.gov

WWW.GLOBALTHESOURCE.COM | 800.531.5967

TURBOLYTIC®



The world's first multiple-value motor-start capacitors, the Turbolytic® 50 and Turbolytic® JR are incorporated with the same film dielectric technology used in AmRad's motor-run capacitors, and are safety protected using a UL approved safety interrupter.

- Made in the USA
 - Manufactured in Palm Coast, Florida
- Filled with a thick non-PCB dielectric fluid to reduce heat
- Rust free all brass terminals
- 5 Year Warranty
- Now a smaller size

TURBOLYTIC® JR

- More compact start capacitor offers combined values up to 227 MFD
- 2.16" diameter x 4.2" tall

TURBOLYTIC® 50

- Motor start capacitor can replace any of the most popular values up to 302 MFD
- 2.6" diameter x 4.5" tall



Exclusive Distributor



Part Number	Value Range	Voltage Range	Case Qty
TURBOLYTICJR	Up to 227 MFD	Up to 330 V	20
TURBOLYTIC50	Up to 302 MFD	Up to 330 V	18

For quality performance and your safety

These Turbo® capacitors have been tested and approved to the highest certification level of UL (Underwriters Laboratories) Standard 810; 10,000 AFC; Protected. (As required for all "original equipment" motor-run capacitors). These Turbo® capacitors are produced under one or more U.S. and foreign patents pending.

WARNING: Cancer and Reproductive Harm | www.P65Warnings.ca.gov

WWW.GLOBALTHESOURCE.COM | 800.531.5967



USA MADE CAPACITORS



AmRad products come backed by over 80 years of quality, reliability and durability. These USA made capacitors have a double-rolled cover which provides a leak-proof enclosure and are encapsulated in thick non-PCB dielectric fluid to reduce heat.

- Made in the USA
 - Manufactured in Palm Coast, Florida
- 370/440 V single and dual capacitance
- 5 Year Warranty
- Individually tested and labeled with exact MFD rating at completion of manufacturing
- Filled with a thick non-PCB dielectric fluid to reduce heat
- Rust free all brass terminals
- UL/CSA Recognized
- ROHS 3 compliant
- OEM approved
- HERM value capacitors come with CPT®



Exclusive  Distributor



EVERY HARD-START NEEDS CPT®

Compressor Protector Terminal

CPT® acts as a kill switch between the hard-start and compressor in the event of a failed run capacitor; preventing damage and possible compressor failure.

Although AmRad capacitors have an extremely low failure rate, the CPT® has been introduced to ensure American consumers are always protected.



USA MADE CAPACITORS CONT.



ALL USA MADE CAPACITORS ARE 370/440 V

*Dimensions are rounded to the nearest 1/4" and include terminals

Part Number	MFD	Can Dimensions* ~ Width x Depth x Height	Case Qty
SINGLE CAPACITANCE (OVAL CAN)			
USA2027	3	2" x 1.25" x 2"	100
USA2028	4	2" x 1.25" x 2"	100
USA2029	5	2" x 1.25" x 2"	100
USA2030	6	2" x 1.25" x 2"	100
USA2031	7.5	2" x 1.25" x 2"	100
USA2035	10	2" x 1.25" x 3"	100
USA2037	12.5	2" x 1.25" x 3"	100
USA2260**	20	2.25" x 1.25" x 4.25"	25
USA2040**	25	2.25" x 1.25" x 4.25"	25

**Non-stocking, non-returnable item subject to minimum order quantity

Part Number	MFD	Can Dimensions* ~ Diameter x Height	Case Qty
DUAL CAPACITANCE (ROUND CAN)			
USA2224A	20/3	2.0" x 4.5"	50
USA2224	20/4	2.0" x 4.5"	50
USA2222	20/5	2.0" x 4.5"	50
USA2224BA	25/3	2.0" x 4.5"	50
USA2225	25/5	2.0" x 4.5"	50
USA2225B	25/7.5	2.0" x 4.5"	25
USA2227BA	30/3	2.0" x 4.5"	50
USA2226	30/5	2.0" x 4.5"	50
USA2272B	30/7.5	2.0" x 4.5"	50
USA2226BA	35/3	2.0" x 4.5"	50
USA2227	35/5	2.0" x 4.5"	50
USA2291	35/7.5	2.25" x 4.5"	50
USA2227B	35/10	2.25" x 4.5"	50
USA2274	40/3	2.25" x 4.5"	50
USA2235	40/5	2.25" x 4.5"	50
USA2232	40/7.5	2.25" x 4.5"	50
USA2232A	40/10	2.5" x 4.5"	50
USA2236A	45/3	2.25" x 4.5"	25
USA2236	45/5	2.25" x 4.5"	50
USA2233	45/7.5	2.5" x 4.5"	50
USA2234	45/10	2.5" x 4.5"	50
USA2237A	50/3	2.5" x 4.5"	25
USA2237	50/5	2.5" x 4.5"	50
USA2238	50/7.5	2.5" x 4.5"	50
USA2240	55/5	2.5" x 4.5"	50
USA2218A	55/7.5	2.5" x 4.5"	50
USA2218BA	55/10	2.5" x 4.5"	50
USA2220B	60/5	2.5" x 4.5"	50
USA2221B	60/7.5	2.5" x 4.5"	50
USA2221BA	60/10	2.5" x 4.5"	50
USA2221	70/5	2.5" x 6.0"	25
USA2222A	70/7.5	2.5" x 6.0"	25
USA2220BA	70/10	2.5" x 6.0"	25
USA2222B	75/5	2.5" x 6.0"	25
USA2222BA	80/5	2.5" x 6.0"	25
USA2223B	80/7.5	2.5" x 6.0"	25
USA2223BA	80/10	2.5" x 6.0"	25

100% Guaranteed

Part Number	MFD	Can Dimensions* ~ Diameter x Height	Case Qty
SINGLE CAPACITANCE (ROUND CAN)			
USA2204	5	1.75" x 2.75"	100
USA2206	7.5	1.75" x 2.75"	100
USA2207	10	1.75" x 2.75"	100
USA2208	12.5	1.75" x 2.75"	100
USA2209	15	1.75" x 2.75"	100
USA2211	20	1.75" x 3.25"	100
USA2212	25	1.75" x 4.25"	100
USA2213	30	1.75" x 4.25"	100
USA2214	35	1.75" x 4.25"	100
USA2215	40	2.0" x 4.5"	50
USA2216	45	2.25" x 4.5"	50
USA2217	50	2.5" x 4.5"	50
USA2218	55	2.5" x 4.5"	50
USA2219	60	2.5" x 4.5"	50
USA2220	65	2.5" x 4.5"	50
USA2228	70	2.5" x 4.5"	50
USA2229	80	2.5" x 4.5"	25





NOARK CONTACTORS

NOARK

NOARK DP Contactors provide high performance with both flexibility and reliability. They are designed to match numerous applications.

AVAILABLE AS:

- Rated current from 20 - 75 A
- 1, 2, and 3 pole configurations for refrigeration equipment
- Enclosed coil standard for all 3 pole frame sizes
- Industry standard mounting plate provides easily accessible mounting holes
- Lug connections with quick connect spades
- Coil is Class B 266°F (130°C) insulation system with a wide range of voltages
- 50/60Hz ratings for 2 & 3 pole configurations
- Double E magnet assembly provides optimal performance with reduced power consumption
- 1NO+1NC auxiliary contact block with 600 V rating is an available option on 3 pole contactors
- Base assembly is made from high arc-resistant polyester

CERTIFICATIONS:

- UL 508 Recognized, File No. E353866
- CSA Certified, C22.2 No. 265900
- IEC/EN 60947 Compliant
- CE Approved
- Compliance to ARI-780 HVAC Standards
- RoHS Compliant



All Contactors with Lugs

Part Number	Pole Count	Voltage	Amperage	Case Qty
N4143	1 with shunt	24 V	30 A	64
N4164	1 with shunt	24 V	40 A	64
N4101	2	24 V	20 A	64
N4104	2	24 V	25 A	64
N4107	2	24 V	30 A	64
N4161	2	24 V	40 A	64
N4102	2	120 V	20 A	64
N4105	2	120 V	25 A	64
N4108	2	120 V	30 A	64
N4162	2	120 V	40 A	64
N4106	2	208/240 V	25 A	64
N4109	2	208/240 V	30 A	64
N4163	2	208/240 V	40 A	64
N4113	3	24 V	30 A	54
N4116	3	24 V	40 A	54
N4128	3	24 V	50 A	27
N4114	3	120 V	30 A	54
N4117	3	120 V	40 A	54
N4129	3	120 V	50 A	27
N4135	3	120 V	75 A	12
N4115	3	208/240 V	30 A	54
N4118	3	208/240 V	40 A	54
N4130	3	240 V	50 A	27
N4133	3	240 V	60 A	27
N4136	3	240 V	75 A	12

NOARK – COMPARISON CHART

Feature	Noark	Jard	Mars	Packard	Titan Max
Box Lugs	✓	✓	✓	✓	✓
Enclosed Body	✓		✓	✓	✓
Copper & Brass Terminals	✓		✓	✓	✓
Silver Cadmium Contacts	✓		✓	✓	✓
ARI 780/790	✓		✓		✓
Aux Switches Available	✓	✓	✓	✓	✓
1,000,000 Cycle Mech. Life	✓		✓		✓
Polyester Base Assembly	✓	✓			
5 Year Warranty	✓				

DEFINITE PURPOSE CONTACTORS

NOARK CONTACTORS

EATON COMPACT CONTACTORS

EATON STANDARD CONTACTORS

CONTACTOR CROSS REFERENCE

EATON AUXILIARY CONTACT KITS

NOARK AUXILIARY CONTACT KITS



EATON COMPACT CONTACTORS



COMPACT SERIES

These contactors from Eaton's Electrical Sector feature a compact, efficient design. New contactor housing design effectively limits dust and other contaminants from magnet structure—reduces or eliminates noise. These economically priced devices are well suited for use in heating/ air conditioning, refrigeration, data processing and food service applications.

- Ideal for HVAC applications
- Compact, 20-40A, 1- and 2-pole contactors
- Current rated and horsepower/kW rated
- Efficient design, low VA coil and straight-through wiring
- Design effectively limits dust and other contaminants from magnet structure
- UL Recognized, CSA certified, ARI 780/790 Standard, RoHS Complaint, CE marked



Part Number		AC Coil Voltage 50/60 Hz	Ampere Ratings (per pole)					Max. HP		Max. kW		Case Qty
Global	Eaton		Inductive Full Load	Resistive	Locked Rotor			115 V	230 V	115 V	230 V	
					240 -227 V	480 V	575 V					
1 POLE WITH SHUNT												
4140	C25CNB125T	24	25	30	150	-	-	2	3	1.5	2.2	50
4141	C25CNB125A	110 - 120										50
4142	C25CNB125B	208 - 240										50
4143	C25CNB130T	24	30	40	150	75	50	2	5	1.5	3.7	50
4144	C25CNB130A	110 - 120										50
4145	C25CNB130B	208 - 240										50
4143CL*	C25CNF130T	24	30	40	150	75	50	2	5	1.5	3.7	50
4144CL*	C25CNF130A	110-120										-
4164CL*	C25CNF140T	24										40
2 POLE												
4101	C25BNB220T	24	20	30	120	100	80	1.5	3	1.1	2.2	50
4102	C25BNB220A	110 - 120										50
4103	C25BNB220B	208 - 240										50
4104	C25BNB225T	24	25	35	150	125	100	2	3	1.5	2.2	50
4105	C25BNB225A	110 - 120										50
4106	C25BNB225B	208 - 240										50
4107	C25BNB230T	24	30	40	150	125	100	2	5	1.5	3.7	50
4107CL*	C25BNF230T	24										50
4108	C25BNB230A	110 - 120										50
4109	C25BNB230B	208 - 240	50									
4161C	C25BNB240T	24	40	50	240	200	160	3	7.5	2.2	5.5	50
4162C	C25BNB240A	110 - 120										50
4163C	C25BNB240B	208 - 240										50
4161CL*	C25BNF240T	24	40	50	240	200	160	3	7.5	2.2	5.5	50
4162CL*	C25BNF240A	110 - 120										50
4163CL*	C25BNF240B	208 - 240										50

* Box lugs (posidrive setscrew) and quick connect terminals (side-by-side).
Vertical in-line quick connect terminals on 60A and 75A F frame.

WARNING: Cancer and Reproductive Harm | www.P65Warnings.ca.gov

WWW.GLOBALTHESOURCE.COM | 800.531.5967



EATON STANDARD CONTACTORS



Eaton offers the most comprehensive line of definite purpose contactors in the industry. Initially designed as an HVAC and refrigeration product, the C25 line is now the market leader and the product of choice for many OEMs and contractors serving diverse markets. Featuring current ratings between 15A and 360A, the contactors are dual-rated for inductive and resistive ratings as well as for horsepower and kilowatt ratings.

- Ideal for HVAC, motor and non-motor resistive loads
- Contactors are dual-rated with inductive and resistive as well as horsepower and kilowatt ratings
- Also available as starters with bi-metallic and solid-state overload relays
- Open and enclosed versions
- Certifications:
 - UL Recognized, CSA certified, ARI 780/790 Standard, CE marked, RoHS Complaint (15-50A only)



Part Number		AC Coil Voltage 50/60 Hz	Ampere Ratings (per pole)				Max. HP		Max. kW		Case Qty
Global	Eaton		Inductive Full Load	Resistive	Line Voltage	Locked Rotor	1 Phase	3 Phase	1 Phase	3 Phase	
4161	C25DNF240T	24	40	50	115	240	3	-	2.2	-	20
4162	C25DNF240A	110 - 120									20
4163	C25DNF240B	208 - 240									20
4127	C25FNF250T	24	50	65	115	300	3	-	2.2	-	NA
4 POLE											
4119	C25ENF440T	24	40	50	460	200	-	20	-	15	20
4120	C25ENF440A	110 - 120									NA
4121	C25ENF440B	208 - 240									NA

WARNING: Cancer and Reproductive Harm | www.P65Warnings.ca.gov

WWW.GLOBALTHESOURCE.COM | 800.531.5967



Global Part Number		Pole Count	Amps	Voltage	Cutler Hammer	Square D	Furnas	Arrow Hart	Mars
Noark	Eaton								
	C25FNF250B	2	50	208/240	C25FNF250B	8910DPA52V09	42DE15AG106	ACC520U30	
		2	50	480	C25FNF250C	8910DPA52V06	42DE15AH106	ACC520U60	
		2	60	24	C25FNF260T	8910DPA62V14	42EE15AJ106	ACC620U10	
	C25FNF260A	2	60	120	C25FNF260A	8910DPA62V02	42EE15AF106	ACC620U20	
		2	60	208/240	C25FNF260B	8910DPA62V09	42EE15AG106	ACC620U30	
		2	60	480	C25FNF260C	8910DPA62V06	42EE15AH106	ACC620U60	
		2	75	24	C25FNF275T	8910DPA72V14	42FE15AJ106	ACC720U10	
	C25FNF275A	2	75	120	C25FNF275A	8910DPA72V02	42FE15AF106	ACC720U20	
		2	75	208/240	C25FNF275B	8910DPA72V09	42FE15AG106	ACC720U30	
		2	75	480	C25FNF275C	8910DPA72V06	42FE15AH106	ACC720U60	
		2	90	24	C25GNF290T	8910DPA92V14	42GE15AJ106	ACC920U10	
	C25GNF290A	2	90	120	C25GNF290A	8910DPA92V02	42GE15AF106	ACC920U20	
		2	90	208/240	C25GNF290B	8910DPA92V09	42GE15AG106	ACC920U30	
		2	90	480	C25GNF290C	8910DPA92V06	42GE15AH106	ACC920U60	
	4110	3	25	24	C25DND325T	8910DPA23V14	41NB30AJM	ACC230U10	91231
	4111	3	25	120	C25DND325A	8910DPA23V02	41NB30AFM	ACC230U20	
	4112	3	25	208/240	C25DND325B	8910DPA23V09	41NB30AGM	ACC230U30	
	C25DND325C	3	25	480	C25DND325C	8910DPA23V06	41NB30AHM	ACC230U60	
N4113	4113	3	30	24	C25DND330T	8910DPA33V14	42BE35AJ106	ACC330U10	91331
N4114	4114	3	30	120	C25DND330A	8910DPA33V02	42BE35AF106	ACC330U20	91332
N4115*	4115	3	30	208/240	C25DND330B	8910DPA33V09	42BE35AG106	ACC330U30	91333
	4113C	3	30	480	C25DND330C	8910DPA33V06	42BE35AH106	ACC330U60	
N4116	4116	3	40	24	C25DNF340T	8910DPA43V14	42CE35AJ106	ACC430U10	91431
N4117	4117	3	40	120	C25DNF340A	8910DPA43V02	42CE35AF106	ACC430U20	91432
N4118*	4118	3	40	208/240	C25DNF340B	8910DPA43V09	42CE35AG106	ACC430U30	91433
	4118C	3	40	480	C25DNF340C	8910DPA43V06	42CE35AH106	ACC430U60	
N4128	4128	3	50	24	C25FNF350T	8910DPA53V14	42DE35AJ106	ACC530U10	91531
N4129	4129	3	50	120	C25FNF350A	8910DPA53V02	42DE35AF106	ACC530U20	91532
N4130*	4130	3	50	208/240	C25FNF350B	8910DPA53V09	42DE35AG106	ACC530U30	91533
	4130C	3	50	480	C25FNF350C	8910DPA53V06	42DE35AH106	ACC530U60	
	4131	3	60	24	C25FNF360T	8910DPA63V14	42EE35AJ106	ACC630U10	91631
	4132	3	60	120	C25FNF360A	8910DPA63V02	42EE35AF106	ACC630U20	91632
N4133*	4133	3	60	208/240	C25FNF360B	8910DPA63V09	42EE35AG106	ACC630U30	91633
	4133C	3	60	480	C25FNF360C	8910DPA63V06	42EE35AH106	ACC630U60	
	4134	3	75	24	C25FNF375T	8910DPA73V14	42FE35AJ106	ACC730U10	91731
N4135	4135	3	75	120	C25FNF375A	8910DPA73V02	42FE35AF106	ACC730U20	91732
N4136*	4136	3	75	208/240	C25FNF375B	8910DPA73V09	42FE35AG106	ACC730U30	91733
		3	75	480	C25FNF375C	8910DPA73V06	42FE35AH106	ACC730U60	
	4137	3	90	24	C25GNF390T	8910DPA93V14	42GE35AJ106	ACC930U10	
	4138	3	90	120	C25GNF390A	8910DPA93V02	42GE35AF106	ACC930U20	
N4139*	4139	3	90	208/240	C25GNF390B	8910DPA93V09	42GE35AG106	ACC930U30	
		3	90	4800	C25GNF390C	8910DPA93V06	42GE35AH106	ACC930U60	
	4147	3	120	24	C25HNE3120T				
	4148	3	120	120	C25HNE3120A				
	4149	3	120	208/240	C25HNE3120B				
	4180	3	200	24	C25KNE3200T				
	4181	3	200	120	C25KNE3200A				
	4182	3	200	208/240	C25KNE3200B				
		4	25	24	C25END425T	8910DPA24V14	42AF25AJ		
	C25END425A	4	25	120	C25END425A	8910DPA24V02	42AF25AF		
		4	25	208/240	C25END425B	8910DPA24V09	42AF25AG		
		4	25	480	C25END425C	8910DPA24V06	42AF25AH		
		4	30	24	C25END430T	8910DPA34V14	42BE25AJ106	ACC340U10	
	C25END430A	4	30	120	C25END430A	8910DPA34V02	42BE25AF106	ACC340U20	
	C25END430B	4	30	208/240	C25END430B	8910DPA34V09	42BE25AG106	ACC340U30	
		4	30	480	C25END430C	8910DPA34V06	42BE25AH106	ACC340U60	
	4119	4	40	24	C25ENF440T	8910DPA44V14	42CE25AJ106	ACC440U10	
	4120	4	40	120	C25ENF440A	8910DPA44V02	42CE25AF106	ACC440U20	
	4121	4	40	208/240	C25ENF440B	8910DPA44V09	42CE25AG106	ACC440U30	
	4121C	4	40	480	C25ENF440C	8910DPA44V06	42CE25AH106	ACC440U60	

* Part only available in 240 V

WARNING: Cancer and Reproductive Harm | www.P65Warnings.ca.gov

WWW.GLOBALTHESOURCE.COM | 800.531.5967



NOARK AUXILIARY CONTACT KITS

NOARK

SIDE MOUNTED AUXILIARY CONTACT KIT

- Side Mounted
- #6~32 Screw Terminal
- For Ex9CK20~90 3P and Ex9CKT20~40 3P & 4P



Part Number	Contact Configuration	Terminals
AXFC11	1NO + 1NC	#6~32 Screw Terminal
AXFC11Q	1NO + 1NC	0.250 Quick Connection Terminals

EATON AUXILIARY CONTACT KITS

EATON

SIDE MOUNTED AUXILIARY CONTACT KIT

- Heavy-Duty Pilot Rated for 10 A at 600 VAC
- For 15-75A DP Contactors
- Side Mounted



Part Number	Contact Configuration	Terminals
C320KG1	1NO	Pressure Plate
C320KG2	1NC	Pressure Plate
C320KG11	1NO	Pressure Plate and Quick Connect
C320KG12	1NC	Pressure Plate and Quick Connect
C320KG13	1NO — 1NC	Pressure Plate and Quick Connect

WARNING: Cancer and Reproductive Harm | www.P65Warnings.ca.gov

WWW.GLOBALTHESOURCE.COM | 800.531.5967





EATON SAFETY SWITCHES General Duty - Non-Fusible



GENERAL DUTY – NON-FUSIBLE

Eaton's general duty non-fusible safety switches provide a means to manually connect or disconnect the load from the source. They are available in NEMA 1 general purpose or NEMA 3R rainproof enclosures and are suitable for service entrance applications. Switches are load break rated.



ELECTRICAL SERVICE PRODUCTS

**EATON SAFETY SWITCHES
GENERAL DUTY – NON-FUSIBLE**

**EATON SAFETY SWITCHES
HEAVY DUTY – NON-FUSIBLE**

**EATON SAFETY SWITCHES
GENERAL DUTY – FUSIBLE**

**EATON SAFETY SWITCHES
HEAVY DUTY – FUSIBLE**

EATON CIRCUIT BREAKERS

DITEK SURGE PROTECTORS

Part Number	Poles	Wires	Amp Rating	Single-Phase Max. HP		Three-Phase Max HP 240 V
				120 V	240 V	
240 V SINGLE-THROW, NEMA 1						
DG221UGB ¹	2	2	30	2	3	–
DG222UGB ^{*1}	2	2	60	3	10	–
DG223UGB ^{*1}	2	2	100	–	15	–
DG321UGB ¹	3	3	30	2	3	7.5
DG322UGB ¹	3	3	60	3	10	15
DG323UGB ¹	3	3	100	–	15	30
DG324UGK ^{*1}	3	3	200	–	15	60
DG325UGK ^{*2}	3	3	400	–	–	125
DG326UGK ^{*2}	3	3	600	–	–	200
240 V SINGLE-THROW, NEMA 3R						
DG221URB ¹	2	2	30	2	3	–
DG222URB ¹	2	2	60	3	10	–
DG223URB ¹	2	2	100	–	15	–
DG321URB ¹	3	3	30	2	3	7.5
DG322URB ¹	3	3	60	3	10	15
DG323URB ¹	3	3	100	–	15	30
DG324URK ^{*1}	3	3	200	–	15	60
DG325URK ^{*2}	3	3	400	–	–	125
DG326URK ^{*2}	3	3	600	–	–	200

Maximum Hp ratings apply only when dual element fuses are used.

* Special Order

¹ WARNING: Switch is not approved for service entrance unless a neutral kit is installed.

² Drilled to accept field installed neutral kits.



EATON SAFETY SWITCHES

Heavy Duty - Non-Fusible



HEAVY DUTY – NON-FUSIBLE

Eaton's heavy duty non-fusible safety switches provide a means to manually connect or disconnect the load from the source. The heavy duty non-fusible safety switch is available in NEMA 1 and 3R enclosures. Switches are 100% load-break and 100% load-make rated and are suitable for service entrance use. Available from 30A to 1200A.



600 V, SINGLE-THROW, WITH NEUTRAL											
Part Number	Poles	Wires	Amp Rating	NEMA Enclosure	Single-Phase Max. HP			Three-Phase Max HP			DC Max HP 250 V
					240 V	480 V	600V	240 V	480 V	600V	
DH361UGK*	3	3	30	1	3	7.5	10	10	20	30	5
DH361URK	3	3	30	3R	3	7.5	10	10	20	30	5
DH362UGK*	3	3	60	1	10	20	25	20	50	60	10
DH362URK	3	3	60	3R	10	20	25	20	50	60	10
DH363UGK	3	3	100	1	20	40	50	40	75	100	20
DH363URK	3	3	100	3R	20	40	50	40	75	100	20
DH364UGK*	3	3	200	1	15	50	50	60	125	150	40
DH364URK*	3	3	200	3R	15	50	50	60	125	150	40
DH365UGK*	3	3	400	1				125	250	350	50
DH365URK*	3	3	400	3R				125	250	350	50
DH366UGK*	3	3	600	1				200	400	500	
DH366URK*	3	3	600	3R				200	400	500	
DH367UGK*	3	3	800	1					500	500	
DH367URK*	3	3	800	3R					500	500	
DH368UGK*	3	3	1200	1					500	500	
DH368URK*	3	3	1200	3R					500	500	

Suitable for service entrance use with a neutral or ground lug kit installed
* Special Order

EATON SAFETY SWITCHES

General Duty - Fusible



GENERAL DUTY – FUSIBLE

Eaton's general duty fusible safety switches offer premium function and safety features. They have ample wiring space, visible double break rotary blade mechanisms, a side opening door on all enclosures, interlocking mechanism to prevent easy access when the switch is in the ON position, and clearly visible ON/OFF indication.



SINGLE-THROW, NEMA 1						
Part Number	Poles	Wires	Amp Rating	Single-Phase Max. HP		Three-Phase Max HP 240
				120 V	240 V	
120 V, PLUG, WITH NEUTRAL						
DP111NGB ⁴	1	2	30	0.5 – 2	–	–
240 V, CARTRIDGE (CLASS H), WITH NEUTRAL						
DG221NGB ¹	2	3	30	–	1.5 – 3	3 – 7.5
DG222NGB ¹	2	3	30	–	3 – 10	7.5 – 15
DG223NGB ¹	2	3	100	–	7.5 – 15	15 – 30
DG224NGK ^{*1}	2	3	200	–	15	25 – 60
DG225NGK ^{*1,5}	2	3	400	–	–	50 – 125
DG226NGK ^{*1}	2	3	600	–	–	75 – 200
DG326FGK ^{*2,3}	3	3	600	–	–	75 – 200
DG321NGB	3	4	30	–	1.5 – 3	3 – 7.5
DG322NGB	3	4	60	–	3 – 10	7.5 – 15
DG323NGB	3	4	100	–	7.5 – 5	15 – 30
DG324NGK*	3	4	200	–	15	25 – 60
DG325NGK*	3	4	400	–	–	50 – 125
DG326NGK*	3	4	600	–	–	75 – 200
240 V, CARTRIDGE (CLASS H), WITHOUT NEUTRAL						
DG225FGK ^{*2}	2	2	400	–	–	50 – 125
DG226FGK ^{*2}	2	2	600	–	–	75 – 200
DG325FGK ^{*2,3}	3	3	400	–	–	50 – 125

Maximum Hp ratings apply only when dual element fuses are used.

* Special Order

¹ 3-Phase hp rating shown is a grounded B phase rating, UL listed.

² Solid neutral bars are not included. Must be ordered separately.

³ Warning – Switch is not approved for service entrance unless a neutral kit is installed.

⁴ This switch does not have an interlock which prevents door from being opened when switch is in the ON position.

⁵ Maximum Horsepower Rating of 50 at 250 V DC



EATON SAFETY SWITCHES

General Duty - Fusible Cont.



GENERAL DUTY – FUSIBLE (CONT.)



240 V, SINGLE-THROW, CARTRIDGE (CLASS H), NEMA 3R						
Part Number	Poles	Wires	Amp Rating	Singe-Phase Max. HP 240 V	Three-Phase Max HP 240 V	Case Qty
WITH NEUTRAL						
DG221NRB ¹	2	3	30	1.5 – 3	3 – 7.5	
DG222NRB ¹	2	3	60	3 – 10	7.5 – 15	
DG223NRB ¹	2	3	100	7.5 – 15	15 – 30	
DG224NRK ^{*1}	2	3	200	15	25 – 60	
DG225NRK ^{*1}	2	3	400	–	50 – 125	
DG226NRK ^{*1}	2	3	600	–	75 – 200	
DG326FRK ^{*2,3}	3	3	600	–	75 – 200	
DG321NRB	3	4	30	1.5 – 3	3 – 7.5	
DG322NRB	3	4	60	3 – 10	7.5 – 15	
DG323NRB	3	4	100	7.5 – 15	15 – 30	
DG324NRK	3	4	200	15	25 – 60	
DG325NRK	3	4	400	–	50 – 125	
DG326NRK [*]	3	4	600	–	75 – 200	
WITHOUT NEUTRAL						
DG225FRK ^{*2}	2	2	400	–	50 – 125	
DG226FRK ^{*2}	2	2	600	–	75 – 200	
DG325FRK ^{*2,3}	3	3	400	–	50 – 125	

Maximum Hp ratings apply only when dual element fuses are used.
^{*} Special Order
¹ 3-Phase hp rating shown is a grounded B phase rating, UL listed.
² Solid neutral bars are not included. Must be ordered separately.
³ Warning – Switch is not approved for service entrance unless a neutral kit is installed.

EATON SAFETY SWITCHES

Heavy Duty - Fusible



HEAVY DUTY – FUSIBLE

Eaton's heavy duty fusible safety switches offer the ability to manually open and close a circuit and provide over-current protection by means of field-installed fuses. Switches are 100% load break and 100% load make rated and are suitable for service entrance use. Tangential knockouts on NEMA 1 and NEMA 3R enclosures through 200A.



600 V, SINGLE-THROW, WITH NEUTRAL								
Part Number	Poles	Wires	Amp Rating	NEMA Enclosure	Singe-Phase Max. HP		Three-Phase Max HP 480	
					480 V	600 V	480 V	600 V
CARTRIDGE (CLASS H)								
DH361NGK	3	4	30	1	7.5	10	15	20
DH361NRK ¹	3	4	30	3R	7.5	10	15	20
DH362NGK ^{*2}	3	4	60	1	20	25	30	50
DH362NRK ^{1,4}	3	4	60	3R	20	25	30	50
DH363NGK ^{*2}	3	4	100	1	30	40	60	75
DH363NRK ³	3	4	100	3R	30	40	60	75
DH364NGK	3	4	200	1	50	50	125	150
DH364NRK ^{*3}	3	4	200	3R	50	50	125	150
DH365NGK ^{*5}	3	4	400	1	–	–	250	350
DH365NRK ^{*6}	3	4	400	3R	–	–	250	350
DH366NGK [*]	3	4	600	1	–	–	400	500
DH366NRK [*]	3	4	600	3R	–	–	400	500
CARTRIDGE (CLASS L)								
DH367NGK ^{*7}	3	4	800	1	–	–	500	–
DH367NRK ^{*7}	3	4	800	3R	–	–	500	–
DH368NGK ^{*7}	3	4	1200	1	–	–	500	–
DH368NRK ^{*6}	3	4	1200	3R	–	–	500	–

^{*} Special Order
¹ Can be field modified to meet NEMA 3R rainproof requirements when a factory provided drain hole is opened
² Power plugs not supplied with the receptacle
³ For 2-pole applications; use outside poles of 3-pole switch
⁴ Suitable for service entrance use.
⁵ Suitable for service entrance use with a Neutral Kit installed
⁶ Suitable for service entrance use with a neutral or ground lug kit installed
⁷ Enhanced Visible-Blade (No Window)



EATON SAFETY SWITCHES

Heavy Duty - Fusible Cont.



HEAVY DUTY – FUSIBLE CONT.



600 V, SINGLE-THROW, WITHOUT NEUTRAL								
Part Number	Poles	Wires	Amp Rating	NEMA Enclosure	Single-Phase Max. HP		Three-Phase Max HP 480	
					480 V	600 V	480 V	600 V
CARTRIDGE (CLASS H)								
DH361FGK*	3	4	30	1	7.5	10	15	20
DH361FRK	3	4	30	3R	7.5	10	15	20
DH362FGK*	3	4	60	1	20	25	30	50
DH362FRK*	3	4	60	3R	20	25	30	50
DH363FGK*	3	4	100	1	30	40	60	75
DH363FRK*	3	4	100	3R	30	40	60	75
DH364FGK*	3	4	200	1	50	50	125	150
DH364FRK*	3	4	200	3R	50	50	125	150
DH365FGK*	3	4	400	1	–	–	250	350
DH365FRK*	3	4	400	3R	–	–	250	350
DH366FGK*	3	4	600	1	–	–	400	500
DH366FRK*	3	4	600	3R	–	–	400	500
CARTRIDGE (CLASS L)								
DH367FGK*	3	4	800	1	–	–	500	–
DH367FRK*	3	4	800	3R	–	–	500	–
DH368FGK*	3	4	1200	1	–	–	500	–
DH368FRK*	3	4	1200	3R	–	–	500	–

Suitable for service entrance use with a Neutral Kit installed
* Special Order

EATON CIRCUIT BREAKERS



- Classified Replacement Circuit Breakers are considered suitable, by Underwriters Laboratories, for use in another manufacturers' panel board
- Tested extensively in numerous GE, Square D, Siemens, Murray, Thomas and Betts and Crouse-Hinds panels
- Retailers can streamline inventory by carrying one manufacturer's circuit breakers vs. multiple manufacturers
- 120/240 V, 10000 A/C



UL Classified to Fit Virtually Any Panel...Even Square D® Homeline

Global Part Number	Pole	Amp Rating	Case Qty	Cross Reference					
				Square D®	Crouse Hinds	General Electric	ITE/Siemens	Murray	Thomas & Betts
CL CLASSIFIED – INTERCHANGEABLE BREAKERS 1" TYPE									
CL115	1	15	10	HOM115	MP115	THQL115	Q115	MP115	TB115
CL120	1	20	10	HOM120	MP120	THQL120	Q120	MP120	TB120
CL125	1	25	10	HOM125	MP125	THQL125	Q125	MP125	TB125
CL130	1	30	20	HOM130	MP130	THQL130	Q130	MP130	TB130
CL140	1	40	10	HOM140	MP140	THQL140	Q140	MP140	TB140
CL150	1	50	10	HOM150	MP150	THQL150	Q150	MP150	TB150
CL215	2	15	5	HOM215	MP215	THQL215	Q215	MP215	TB215
CL220*	2	20	5	HOM220	MP220	THQL220	Q220	MP220	TB220
CL225	2	25	5	HOM225	MP225	THQL225	Q225	MP225	TB225
CL230*	2	30	5	HOM230	MP230	THQL230	Q230	MP230	TB230
CL235	2	35	5	HOM235	MP235	THQL235	Q235	MP235	TB235
CL240*	2	40	5	HOM240	MP240	THQL240	Q240	MP240	TB240
CL245	2	45	5	HOM245	MP245	THQL245	Q245	MP245	TB245
CL250*	2	50	5	HOM250	MP250	THQL250	Q250	MP250	TB250

* Available in Clamshell



EATON CIRCUIT BREAKERS CONT.



Global Part Number	Pole	Amp Rating	Case Qty	Cross Reference Square D®
CHQ CLASSIFIED – SERIES 3/4" TYPE				
CHQ115	1	15	10	QO115
CHQ120	1	20	10	QO120
CHQ130	1	30	20	QO130
CHQ140	1	40	10	QO140
CHQ150	1	50	20	QO150
CHQ215	2	15	10	QO215
CHQ220	2	20	10	QO220
CHQ225	2	25	50	QO225
CHQ230	2	30	5	QO230
CHQ235	2	35	10	QO235
CHQ240	2	40	10	QO240
CHQ245	2	45	10	QO245
CHQ250	2	50	10	QO250
CHQ260	2	60	5	QO260



Part Number	Pole	Amp Rating	Case Qty
CHF – SERIES 3/4" TYPE			
CHF115	1	15	10
CHF120	1	20	10
CHF125	1	25	10
CHF130	1	30	10
CHF140	1	40	10
CHF150	1	50	10
CHF215	2	15	5
CHF220	2	20	5
CHF225	2	25	5
CHF230	2	30	5
CHF235	2	35	5
CHF240	2	40	5
CHF245	2	45	5
CHF250	2	50	5
CH – SERIES 3/4" TYPE			
CH160	1	60	10
CH260	2	60	5
CH270	2	70	5
CH280	2	80	5
CH2100	2	100	5
CH2125	2	125	5

DITEK SURGE PROTECTORS

Power outages, surges, and voltage transients can damage your heating and cooling system just like any other valuable electronic device. Ditek's HVAC system surge protective devices help prevent equipment loss from these damaging electrical events.

DTK-120/240CM+ FEATURES AND BENEFITS

- NEMA 4X weatherproof enclosure allows for use in harsh environments
- Parallel connection for easy installation
- Diagnostic LED provides positive indication of power, ground presence, and surge protection
- Automatically resets to handle multiple surge events
- Durable and cost effective
- Protects HVAC condensing units, furnaces, air handlers, heat pumps, motors and ductless air conditioners installed and wired to the load side of the disconnect
- UL Listed
- 10 Year limited warranty
- 3 Year \$7,500 residential connected equipment manufacturer warranty



DTK-120/240CM+ SPECIFICATIONS	
Service Voltage	120/240 VAC
MCOV	150/300 V
Protection Modes	L-G, L-L
Voltage Protection Rating	700V L-G 1200V L-L
Surge Current Rating	50,000 A
SCCR	100 kA
Nominal Discharge Current Rating (In)	10 kA
Operation Frequency	50/60 Hz
Connection Method	3/4" NPT Male 18-inch 12 AWG Leads
Housing	NEMA 4X
Operating Temperature	-31°F – 176 (-35° – 40°C)
Maximum Humidity	95% non-condensing
Dimensions	3.5" L x 1.89" W x 3.4" H (88.9 mm x 48.3 mm x 86.4 mm)
Weight	.55 lb. (0.25 kg)
Case Qty	9

ADDITIONAL DITEK SURGE PROTECTION

Part Number	Value Range	Case Qty
D100-120/2083Y	100Ka/Phase 120/208 VAC 3-Phase Wye, 4 Wire	1
D100-277/4803Y	100KA/Phase 277/480 VAC 3-PHAS	1
D50-120/2083Y	120/280-3Y VAC, 50KA, SPD Type 1 UL 1449	1
D50-277/4803Y	277/480-3Y VAC, 50KA, SPD Type 1 UL 1449	1
D50-4803D	480 VAC SURGE PROTECTOR	1
DTK-120/240HD2	100,000 Amp Residential/Light	1
DTK-120/240SA	120/240 VAC Suppressor, 100Ka 2W+G W/ Flush Mount Kit	1
DTK-120HW*	120 V – 15 A Parallel Surge Protector	12
DTK-1LVLPLV	Low Voltage Line Protection – 1 Pair, 30 V, 22-16 AWG Terminal Strip	12
DTK-2LVLPLV	Low Voltage Line Protection – 2 Pair, 30 V, Terminal Strip-16-22 AWG	12
DTK-4LVLPLV	Low Voltage Line Protection – 4 Pair, 30 V, 16-24 AWG Terminal Strip	12
DTK-2403CMXPLUS	3 Phase Secondary Surge Arrester 240 VAC	9
DTK-4803CMXPLUS	3 Phase Secondary Surge Arrester 480 VAC	9
DTK-2MHLP24BWB	24 V, 2 Pair, Hybrid Field Replaceable Suppression Module W/ Hardwired Base	12
DTK-2MHLP36BWB	36 V, 2Pair, Hybrid Field Replaceable Suppression Module W/ Hardwired Base	12

* The DTK-120HW provides surge protection for 120 VAC equipment panels and dedicated branch circuits. The compact, parallel-mount design allows for installation in a variety of locations.



KOOL GUARD 2



DITEK's DTK-KG2 is part of the Kool Guard family of voltage monitoring products. It is specifically designed to protect HVAC equipment from harmful under-voltage and over-voltage events that can damage sensitive electronics and mechanical components within the system.

FEATURES AND BENEFITS

- Standard UL Type 4X polycarbonate enclosure allows the unit to be easily installed in harsh outdoor environments
- Protection for under-voltage & over-voltage events
- Safely disconnects power to the system for 30 sec. to 3 minutes allowing input voltage to return to normal range
- Diagnostic red and green LEDs indicate exactly what voltage condition is present
- Surge protection components included to divert harmful transient voltages away from the equipment
- Applications
 - Ductless AC Systems (Mini-splits)
 - Inverter-type Compressor Systems
 - Split Systems
 - Goes up to 60A



Demonstration video

Part Number	Description	Case Qty
DKT-KG2	Kool Guard Series Intelligent Voltage Monitoring	10

DTK-KG2 – TECHNICAL SPECIFICATIONS	
Voltage Configuration	120/240VAC Split Φ , 120/208VAC Split Φ
Operating Frequency	50/60Hz
Max. Continuous Current	40 Amps
Under-voltage Protection Level	104VAC (L-G)
Over-voltage Protection Level	130VAC (L-G)
Short Cycle Delay	3 Minutes
Surge Current Rating	50,000A
MECHANICAL SPECIFICATIONS	
Connection Method	Series-wired, 1/2" or 3/4" NPT Conduit Hardwired lugs: 8 AWG Max
Housing	UL Type 4X Enclosure
Dimensions	6.29" L x 6.29" W x 2.36" H (160 mm x 160 mm x 60 mm)
Weight	1.7 lb (0.77 kg)
QUALITY STANDARDS & APPROVALS	
Certifications	UL 60947-1 Listed, UL 60947-5-1 Listed
Warranty	10 Year Limited Warranty





FUSE ACCESSORIES



FUSE ACCESSORIES

CLASS CC FUSES

CLASS RK5 FUSES

CLASS K5 & H FUSES

CLASS G FUSES

CERAMIC & GLASS FUSES

SUPPLEMENTAL FUSES

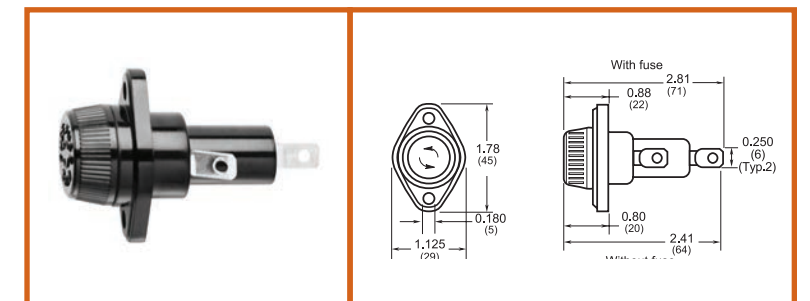
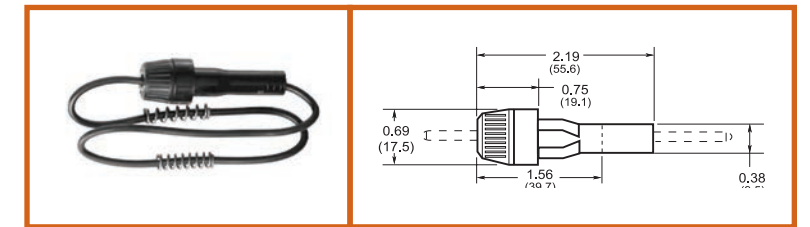
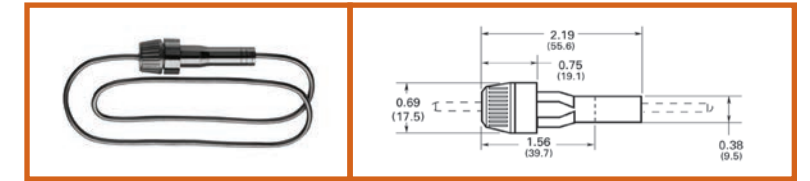
PLUG FUSES & ADAPTERS

IN-LINE FUSES

BLADE & MINI BLADE FUSES

FUSE HOLDERS

- HRF
 - Bayonet type knob in-line fuse holder featuring 19" #14 AWG length lead wire (size-rejecting SFE-4 fuse included)
- HRK
 - Universal in-line fuse holder with #14 AWG copper wire leads and three springs furnished to accept different fuse lengths
 - RoHS compliant (2002/95/EC)
 - Flammability Rating: UL 94V-0
- HPS-RR
 - Panel-mount fuse holder with bayonet-type knob with combination 1/4" quick-connect/solder terminal
 - UL Recognized for applications requiring branch circuit protection (Guide IZLT2, File E14853)
 - Do not put tension on line (rear) terminal
 - Flammability Rating: UL 94HB



Part Number	Amps	Volts	For Use With	Case Qty
HRF ²	20	32	1/4" diameter x 5/8" length Fuses	10
HRK ²	15	32	1/4" diameter x 7/8" to 1/4" x 1 1/4" small dimension fuses	10
HPS-RR	30 ³	600	13/32" x 1-5/16" to 1-1/2" fuses, FNQ-R KTK-R, LP-CC Class CC	10

¹ UL Recognized, Guide IZLT2, File E14853; CSA Certified, Class 6225-01, File 47235

² Typical applications are supplemental, low voltage, low amperage control circuits

³ 20 A max when used with quick-connect terminals



FUSE ACCESSORIES CONT.



FUSE REDUCERS

Fuse reducers install on fuse ferrules or blades to permit the application of smaller size fuses than those for which the fuse blocks or holders are designed.

- Short-circuit Current Rating (SCCR) up to fuse interrupting rating
- UL® Listed, Guide IZZR, File E12853, CSA® Certified, Class 6225-01, File 47235, RoHS compliant
- Reducers fit into most panels or switches including the dead-front type
- Strong contact is maintained both mechanically and electrically



Part Number	Fuse Size	Size of Fuse Block or Disconnect Switch	Description	Case Qty
NO.263	up to 30 A	60 A	Class H and K fuse reducer for Bussmann series NON/REN (250 V) and fuses	1
NO.263-R	up to 30 A	60 A	Class R fuse reducer for Bussmann series FRN-R/LPN-RK (250 V) fuses	1

HEAT LIMITER

Bussmann Heat limiter fuse features non-housing blade style with stud mountings and bold down termination. It is ideal for industrial and commercial applications.



Part Number	Mars Equivalent	Case Qty
WUR	82979	10

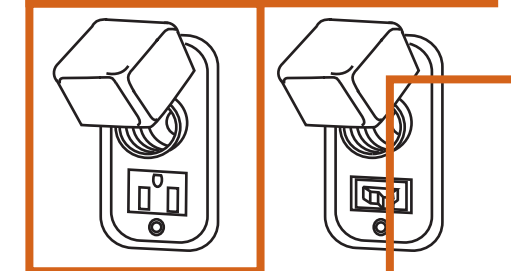
FUSE ACCESSORIES CONT.



FUSE BOX COVERS

Box cover units for standard electrical boxes provide supplemental fuse protection for small motor circuits and other loads requiring overcurrent protection below that of the branch circuit overcurrent protective device. Not recommended for use with MB-15 Edison base circuit breaker.

- Provide a low-cost method of controlling and protecting small motors when used with Edison base Type T dual-element fuses
- Provide low-cost supplementary protection and disconnection of 125 V or less, single-phase circuits
- Certifications
 - UL Listed, Guide JAMZ, File IE6491
- Typical Applications
 - Fractional horsepower, 125 volt single-phase motor circuits
 - General 125 volt supplemental circuits



SRU

SSU

Part Number	Amps	Volts	Fused Sockets	Max Motor Size (Hp)	Description	Case Qty
SRU	15	125	1	1/2	Fused Outlet	1
SSU ¹	15	125	1	1/2	Fused Switch	1

¹CSA Class 6225-01, File 47235; and with Switch Control (turns power to fused load OFF or ON)

AUTO-RESET FUSE BOX

The Auto-Reset Fuse kit is a solid-state device that resets when short is removed. Wires simply plug into most plastic-type fuse sockets. Terminals are also included for wire-in applications.

- Saves time and money– no more running to the parts store to replace burned out fuses
- One year warranty



Part Number	Amps	Volts	Case Qty
GARF-3	3	40	25



CLASS CC FUSES



CLASS CC, BRANCH CIRCUIT, REJECTION-TYPE FUSES

Bussmann Class CC fuses provide 10X better current limitation to help prevent equipment damage caused by short circuit events. They are ideal for critical industrial or commercial applications that have specific current limitation requirements. Rejection type fuse fits both standard and rejection-style holders.

- Meets the needs of control circuit transformer protection
- -R fuses can be sized according to NEC® and UL requirements and still allow the high inrush currents, with significantly more time delay than the UL minimum value of 12 seconds at 200% for Class CC fuses
- IR: 200kA (Complies with NEC® Section 110.9 for today's large capacity systems) (20kA Vdc (15 & 20A) FNQ-R)
- Certifications
 - UL® Listed, Std. 248-4, Class CC, Guide JDDZ, File E4273
 - (KTK-R) CSA® Certified, C22.2 NO. 248.4, File 53787, Class 1422-02 (FNQ-R) CSA® Certified, Class CC CSA, Class 1422-01, File 53787-HRC-MISC
 - CE and RoHS compliant



600 V TIME DELAY FUSES				
Part Number	Amps 1/4 – 30	Mars Equivalent	Other Equivalents	Case Qty
FNQ-R-1/2	1/2	82933		10
FNQ-R-1	1	82936 82715		1
FNQ-R-1-3/10	1 3/10	—		1
FNQ-R-6/10	6/10	—		1
FNQ-R-8/10	8/10	—		1
FNQ-R-11/4	1 1/4	—		1
FNQ-R-11/2	1 1/2	—	ATQR (Ferraz/Shawmut)	10
FNQ-R-2	2	82941		1
FNQ-R-21/2	2 1/2	—		1
FNQ-R-3	3	82942 82716	HCTR (Edison)	1
FNQ-R-3.5	3 1/2	—		1
FNQ-R-4	4	82943		1
FNQ-R-5	5	82944	KLDR (Littelfuse)	10
FNQ-R-6	6	82945		1
FNQ-R-7 1/2	7 1/2	—		1
FNQ-R-8	8	—		1
FNQ-R-10	10	82947		10
FNQ-R-15	15	82227		10
FNQ-R-20	20	82948		1
FNQ-R-25	25	—		1

600 V FAST-ACTING FUSES				
Part Number	Amps 1/10 – 30	Mars Equivalent	Other Equivalents	Case Qty
KTK-R-2/10	2/10	—		10
KTK-R-6/10	6/10	—		1
KTK-R-3/4	3/4	—		10
KTK-R-1/2	1/2	—		10
KTK-R-1	1	—		10
KTK-R-1-1/2	1 1/2	—		10
KTK-R-2	2	82977		10
KTK-R-3	3	82966	ATMR (Gould)	10
KTK-R-3-1/2	3 1/2	—		10
KTK-R-4	4	82967		10
KTK-R-5	5	—	HCLR (Edison)	10
KTK-R-6	6	—		1
KTK-R-7	7	—	KLKR (Littelfuse)	1
KTK-R-8	8	—		1
KTK-R-9	9	—		10
KTK-R-10	10	82971		10
KTK-R-12	12	82976		10
KTK-R-15	15	82968		10
KTK-R-20	20	82981		10
KTK-R-25	25	—		10
KTK-R-30	30	—		10

Additional amp sizes available. Please call for details

WARNING: Cancer and Reproductive Harm | www.P65Warnings.ca.gov



CLASS RK5 FUSES



EDISON CLASS RK5, DUAL-ELEMENT, TIME-DELAY FUSES

These Edison fuses are recommended for AC power distribution system mains, feeders and branch circuits having inductive loads (motors, transformers) or non-inductive loads (lighting, heating) where the available short-circuit current does not exceed 200,000 RMS symmetrical amps. The time-delay characteristics of these fuses typically allows them to be sized closer to the running capacity of inductive loads to reduce cost and provide improved overcurrent protection.

- Time Delay – 10 sec. (minimum) at 500% rated current (8 sec. minimum for 250 V, 30 A and less)
- Helps protect motors against burnout from overloads and single-phasing when sized properly
- Simplifies and improves blackout prevention (selective coordination)
- Dual-element fuses can be applied in circuits subject to temporary motor overloads and surge currents to provide both high performance short-circuit and overload protection
- The overload element provides protection against low level overcurrent of overloads and will hold on inrush current
- IR: 200kA RMS Sym.
- Certification:
 - UL Listed, Std. 248-12, Class RK5, Guide JDDZ, File E162363
 - (250 V) CSA Certified, C22.2 No. 248.12, Class 1422-02, File 700489
 - (600 V) CSA Certified, HRCI-R C22.2 No. 248.12, Class 1422-02, File 53787
 - CE

Additional amp sizes available. Please call for details

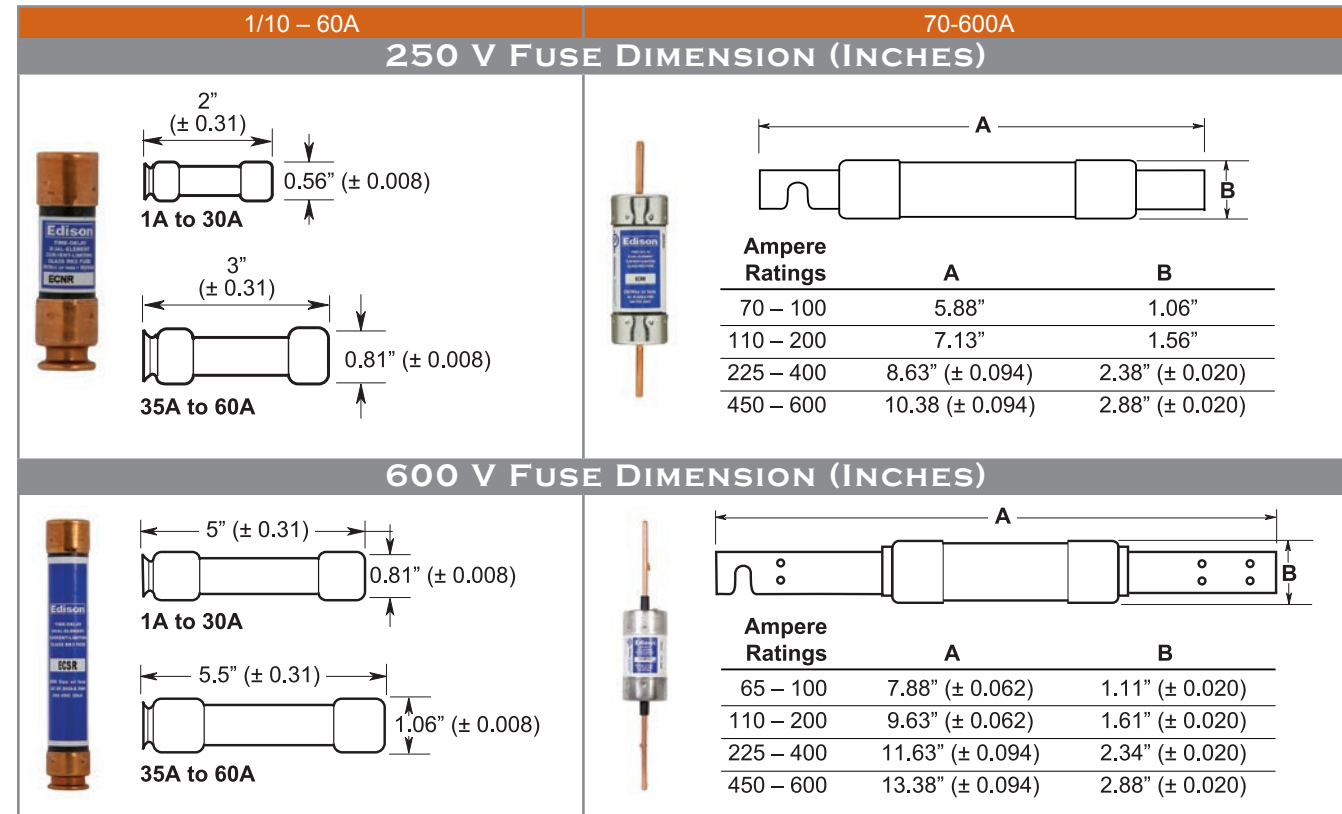
WARNING: Cancer and Reproductive Harm | www.P65Warnings.ca.gov



Part Number	Amps 1/10 – 600	Mars Equivalent	Other Equivalents	Case Qty
250 V				
ECNR1	1	82009		10
ECNR5	5	82024		10
ECNR10	10	82032		10
ECNR15	15	82034		10
ECNR20	20	82036		10
ECNR25	25	82037	FLNR (Littelfuse)	10
ECNR30	30	82038		10
ECNR35	35	82039	FRN-R (Bussmann)	10
ECNR40	40	82040		10
ECNR45	45	82041		10
ECNR50	50	82042	TR (Ferraz/Shawmut)	10
ECNR60	60	82043		10
ECNR70	70	82044		5
ECNR80	80	82045		5
ECNR100	100	82047		1
ECNR125	125	82049		1
ECNR200	200	82052		1
600 V				
ECSR5	5	82124		10
ECSR10	10	82132		10
ECSR15	15	82134		10
ECSR20	20	82136		10
ECSR25	25	82137		10
ECSR30	30	82138	FLNR (Littelfuse)	10
ECSR35	35	82139		10
ECSR40	40	82140		10
ECSR45	45	82147	FRS-R (Bussmann)	10
ECSR50	50	82141		10
ECSR60	60	82142		10
ECSR70	70	82143	TRR (Ferraz/Shawmut)	5
ECSR80	80	82144		5
ECSR90	90	82145		5
ECSR100	100	82146		1
ECSR125	125	82148		1
ECSR150	150	82149		1
ECSR200	200	82151		1



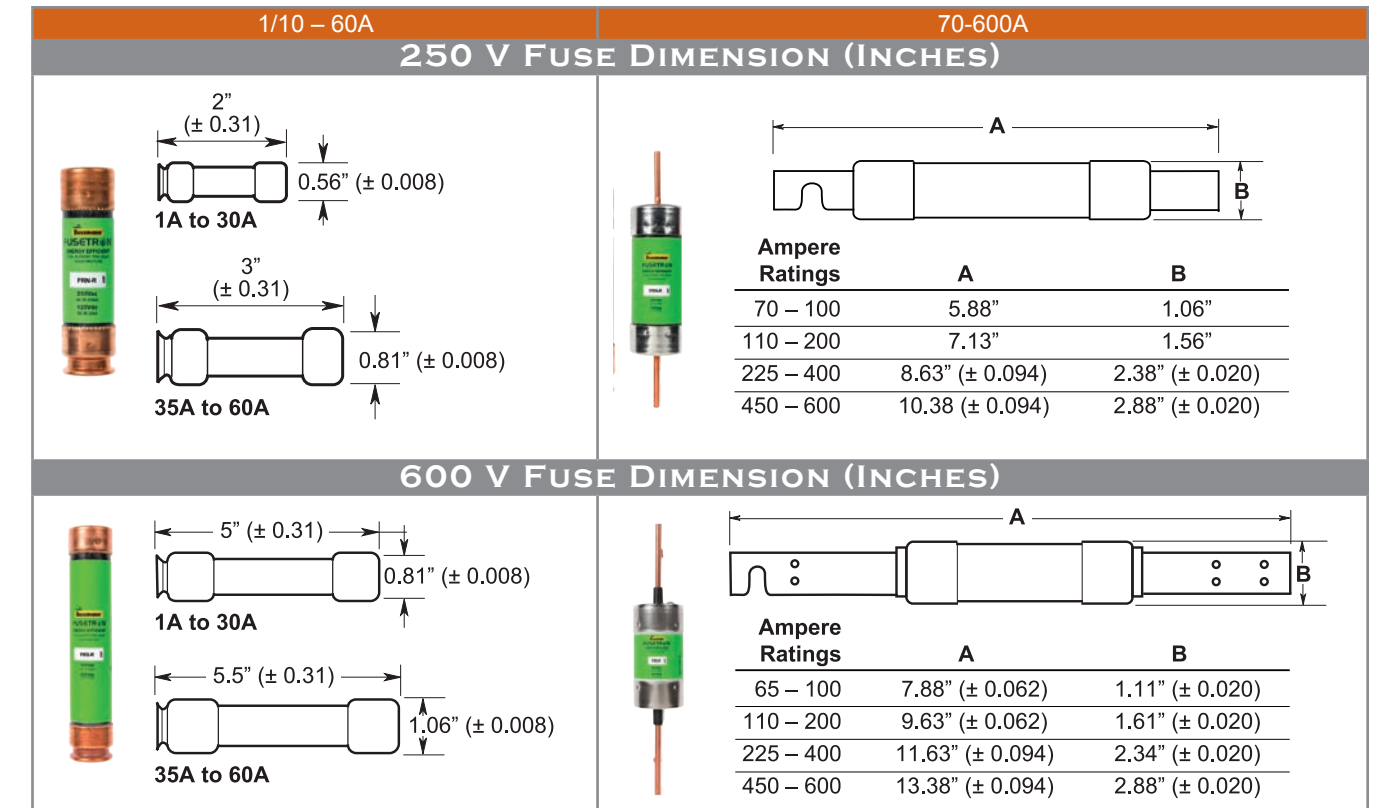
EDISON CLASS RK5, DUAL-ELEMENT, TIME-DELAY FUSES



BUSSMANN CLASS RK5, DUAL-ELEMENT, TIME-DELAY FUSES

The energy efficient Bussmann RK5 fuses utilize a separate overload element to provide the best time-delay performance for sizing as close as 125% of motor Full Load Amps (FLA). Their dual-element feature provides the best time-delay performance, allowing closer sizing and superior protection of motors and transformers. Closer sizing allows for smaller fuses and less costly switches.

- Time Delay – 10 sec. (minimum) at 500% rated current (8 sec. minimum for 250 V, 30 A and less)
- 200kA interrupting rating allows use in a broad range of applications
- Insulated end caps reduces exposure to live parts and extends air gap to distance between blades of adjacent mounted fuses or to housing (225 – 600A 250 V Fuses; 70 – 600A 600 V Fuses)
- Typical Applications: Power Panelboards, Motor Control Centers, Combination Starters, Machinery Disconnects
- IR: 200 kAAC, 20 kA DC
- Certification:
 - UL® Listed, Std. 248-12, Class RK5, Guide JDDZ, File E4273
 - CSA® Certified, Class 1422-01, File 53787
 - CE



CLASS RK5 FUSES CONT.



BUSSMANN CLASS RK5 FUSES

Additional amp sizes available. Please call for details (1/10 - 600A).

Part Number	Amps	Mars Equivalent	Other Equivalents	Case Qty
250 V				
FRN-R-1/10	0.1	—		1
FRN-R-3/10	0.3	—		1
FRN-R-6/10	0.6	—		1
FRN-R-1/2	0.5	82006		1
FRN-R-1	1	82009		1
FRN-R-1-1/4	1.25	—		1
FRN-R-2-1/2	2.5	82017		1
FRN-R-3	3	82019		1
FRN-R-3-2/10	3.2	82020		1
FRN-R-4	4	82021		10
FRN-R-5	5	82024		10
FRN-R-6	6	82026		1
FRN-R-6-1/4	6.25	82027		1
FRN-R-7	7	82029		1
FRN-R-8	8	82030	FLNR (Littelfuse)	1
FRN-R-10	10	82032		10
FRN-R-15	15	82034		10
FRN-R-17-1/2	17.5	82035	TR (Ferraz/Shawmut)	1
FRN-R-20	20	82036		10
FRN-R-25	25	82037		10
FRN-R-30	30	82038		10
FRN-R-35	35	82039	TRR (Ferraz/Shawmut)	10
FRN-R-40	40	82040		10
FRN-R-45	45	82041		10
FRN-R-50	50	82042		10
FRN-R-60	60	82043		10
FRN-R-70	70	82044		5
FRN-R-75	75	—		1
FRN-R-80	80	82045		5
FRN-R-90	90	82046		1
FRN-R-100	100	82047		5
FRN-R-110	110	82048		1
FRN-R-125	125	82049		1
FRN-R-150	150	82050		1
FRN-R-200	200	82052		1
FRN-R-300	300	—		1
FRN-R-400	400	82056		1

Part Number	Amps	Mars Equivalent	Other Equivalents	Case Qty
600 V				
FRS-R-3/10	0.3	—		1
FRS-R-4/10	0.4	—		1
FRS-R-1	1	82109		1
FRS-R-2-1/2	2.5	—		1
FRS-R-3-1/2	3.5	—		1
FRS-R-5	5	82124		10
FRS-R-6	6	82125		10
FRS-R-10	10	82132		10
FRS-R-15	15	82134	FLSR (Littelfuse)	10
FRS-R-20	20	82136		10
FRS-R-25	25	82137		10
FRS-R-30	30	82138	TRS (Ferraz/Shawmut)	10
FRS-R-35	35	82139		10
FRS-R-40	40	82140		10
FRS-R-45	45	82147	TRSR (Ferraz/Shawmut)	10
FRS-R-50	50	82141		10
FRS-R-60	60	82142		10
FRS-R-70	70	82143		1
FRS-R-80	80	82144		1
FRS-R-90	90	82145		1
FRS-R-100	100	82146		1
FRS-R-125	125	82148		1
FRS-R-150	150	82149		1
FRS-R-200	200	82151		1
FRS-R-400	400	—		1



CLASS K5 & H FUSES



GENERAL PURPOSE, NON-CURRENT-LIMITING, CLASS K5 & H FUSES

These fuses protect lighting, heating and other circuits not subject to temporary surges and where available short-circuit currents are relatively low. One-time fuses do not have any appreciable degree of time delay and thus should not be specified in circuits where large transients or motor overloads occur. Use Bussmann series advanced protection FUSETRON™ FRN-R or ultimate protection Low-Peak™ LPN-RK dual-element, time-delay fuses.

- IR:
 - 50 kA VAC RMS Sym.. (1/8 – 60A NON | 1 – 60A NOS)
 - 10 kA VAC RMS Sym.. (65 – 600A NON | 70 – 600 NOS)
 - 50 kA Vdc (1/8 – 60A NON)
 - 10 kA Vdc (65 – 100A NON)
- NON Certifications
 - UL Listed, Class K5 (1/8-60 A), Std. 248-9, Class H (65-600 A), Std. 248-6 (125 Vdc 1/8-100 A), UL Guide JDDZ, File E4273
 - CSA Certified, Class 1421-01, File 53787 (1/8-12 A, 65-600 A)†
 - CE
- NOS Certifications
 - UL Listed, Class K5 (1-60 A), Std. 248-9, Class H (70-600 A), Std. 248-6, UL Guide JDDZ, File E4273
 - CSA Certified, Class 1421-01, File 53787
 - CE



Part Number	Amps 1/8 – 600	Mars Equivalent	Other Equivalents	Case Qty
250 V				
NON-1	1	—		10
NON-5	5	—		10
NON-10	10	82210		10
NON-15	15	82212		10
NON-20	20	82213	EON (Brush)	10
NON-25	25	82214		10
NON-30	30	82215	KON (Edison)	10
NON-35	35	82216		10
NON-40	40	82217	NLN (Littelfuse)	10
NON-45	45	82218		10
NON-50	50	82219	OT (Ferraz/Shawmut)	10
NON-60	60	82220		10
NON-70	70	82221		10
NON-80	80	—		10
NON-100	100	82224		10
600 V				
NOS-15	15	82251	EOS (Brush)	10
NOS-20	20	82252		10
NOS-25	25	82253	KOS (Edison)	10
NOS-30	30	82254		10
NOS-40	40	82256	NLS (Littelfuse)	10
NOS-60	60	82259		10
NOS-250	250	—	OTS (Ferraz/Shawmut)	10

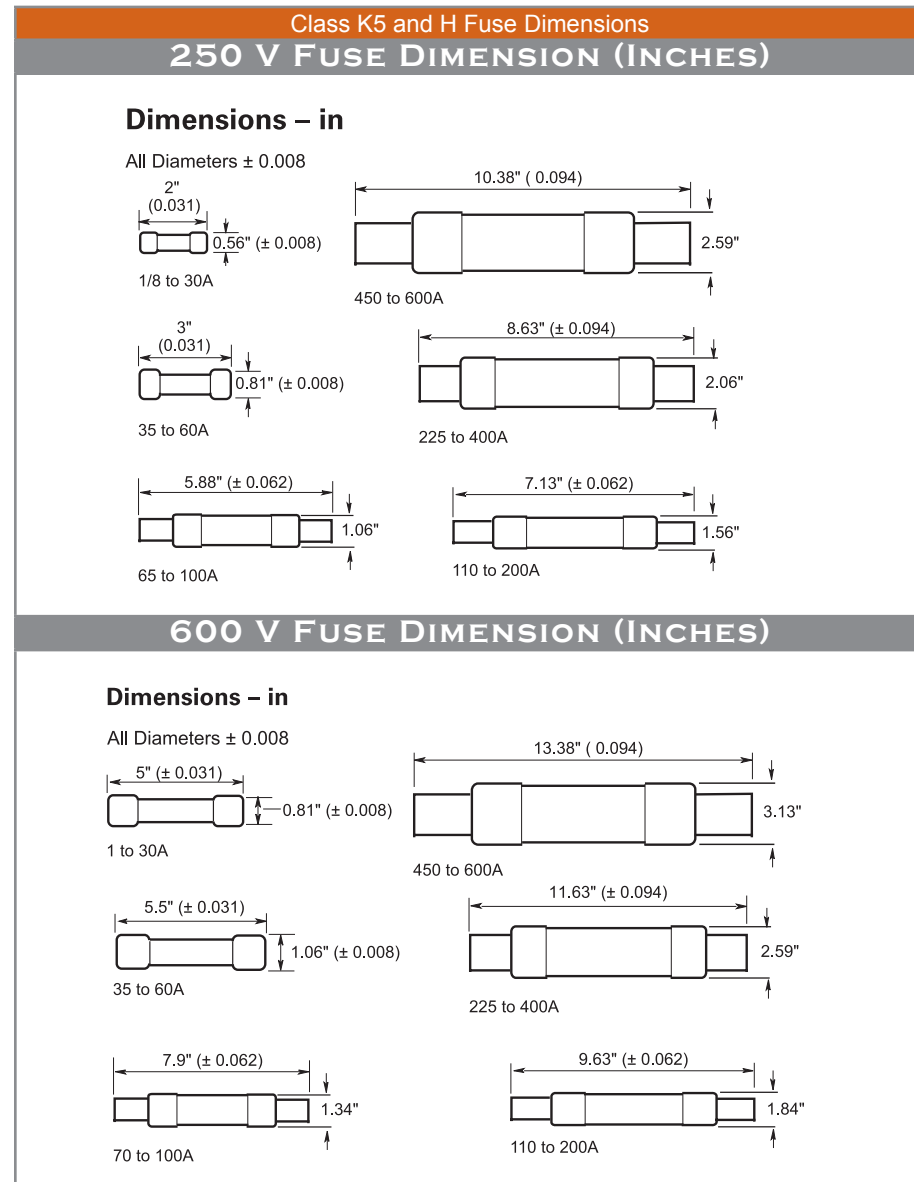
Additional amp sizes available. Please call for details



CLASS K5 & H FUSES CONT.



GENERAL PURPOSE, NON-CURRENT-LIMITING, CLASS K5 & H, FUSES

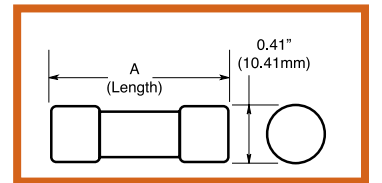


CLASS G FUSES



SC CLASS G SIZE-REJECTING, CURRENT LIMITING FUSES

- Meets basic protection requirements of NEC®, Canadian Electrical Code (CEC), UL and CSA.
- Most economical overcurrent protection solution compared to circuit breakers.
- For use in various non-demanding, general purpose applications.
- Compact branch-circuit units with high interrupting rating and current-limitation.
- With up to a 600V rating, they can be used in 120/208V, 120/240V, and 277/480V circuits.
- Size rejection by length helps prevent overfusing.
- Fuses 7 amps and above have a degree of overload time-delay that permits them to pass temporary overloads.
- IR: 100kA VAC RMS Sym.. (10kA Vdc)
- 1/2 to 6A fast-acting
- 7 to 60A time-delay.
 - 12 seconds (minimum) at 200% of rated current
- Certification:
 - UL® Listed, Std. 248-5, Class G, Guide JDDZ, File E4273
 - CSA® Certified, C22.2 No. 248.5, Class 1422-01, File 53787
 - CE and RoHS compliant



Part Number	Amps 1/2 – 60	Mars Equivalent	A (Length)	Other Equivalents	Case Qty
600 V					
SC-1	1	82271	1.31" (33.3 mm)	AG (Ferraz/Shawmut) SEC (Edison) SLC (Littelfuse)	10
SC-3	3	82272	1.31" (33.3 mm)		10
SC-5	5	82273	1.31" (33.3 mm)		10
SC-8	8	82275	1.31" (33.3 mm)		10
SC-10	10	82276	1.31" (33.3 mm)		10
SC-15	15	82278	1.31" (33.3 mm)		10
SC-20	20	82279	1.41" (35.8 mm)	10	
480 V					
SC-25	25	82280	1.62" (41.1 mm)	AG (Ferraz/Shawmut) SEC (Edison) SLC (Littelfuse)	10
SC-30	30	82281	1.62" (41.1 mm)		10
SC-35	35	82282	2.25" (57.1 mm)		10
SC-40	40	82283	2.25" (57.1 mm)		10
SC-50	50	82285	2.25" (57.1 mm)		10
SC-60	60	82286	2.25" (57.1 mm)		10

Additional amp sizes available. Please call for details

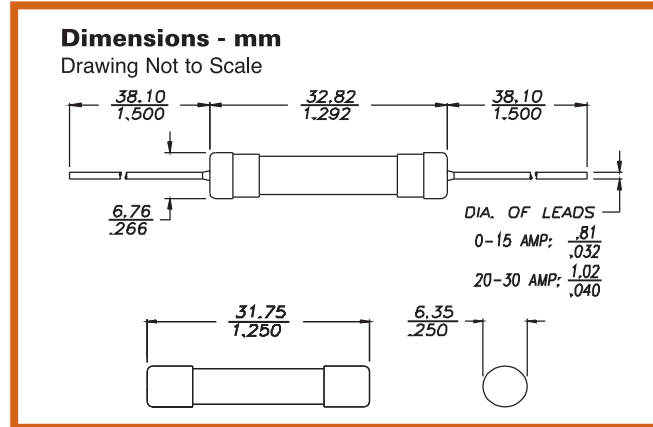


CERAMIC & GLASS FUSES



FAST-ACTING 1/4" DIAMETER BY 1 1/4" LONG 250 V CERAMIC TUBE FUSE (6.4MM X 31.7MM)

- Ceramic body allows for higher amp/volt rating combinations
- Typically applied to electronic circuits
- Optional axial leads available
- UL Listed product meets standard 248-14
- IR (Interrupting ratings measured at 70% – 80% power factor on AC. The interrupting ratings for 18A and 20A were measured at 85% – 95% power factor on AC. The interrupting ratings for 25A and 30A were measured at 89% power factor on AC.):
 - 35A (1/4 – 1A @ 250 VAC)
 - 100A (1 1/2 – 3A @ 250 VAC)
 - 200A (4 – 10A @ 250 VAC)
 - 750A (12 – 15A @ 250 VAC)
 - 400A (18 – 20A @ 250 VAC)
 - 10kA (1/4 – 15A @ 125 VAC)
 - 1kA (18 – 30A @ 125 VAC)
 - 10kA (1/4 – 15, 20A @ 125 Vdc)
 - 400A (25 – 30A @ 125 Vdc)
 - 200A (25 – 30A @ 250 VAC)



Part Number	Amps 1/4 – 30	Mars Equivalent	Other Equivalents	Case Qty
ABC-1-R	1	82404	314 (Littelfuse)	5
ABC-2-R	2	82405		5
ABC-3-R	3	82407		5
ABC-4-R	4	82408	BBC (Brush)	5
ABC-5-R	5	82409		5
ABC-7-R	7	82411	CES14 (Fusetek)	5
ABC-8-R	8	82412		5
ABC-10-R	10	82413	GAB (Ferraz/ Shawmut)	5
ABC-12-R	12	82414		5
ABC-15-R	15	82415		5
ABC-20-R	20	82416		5
ABC-25-R	25	82417		5
ABC-30-R	30	82418		5

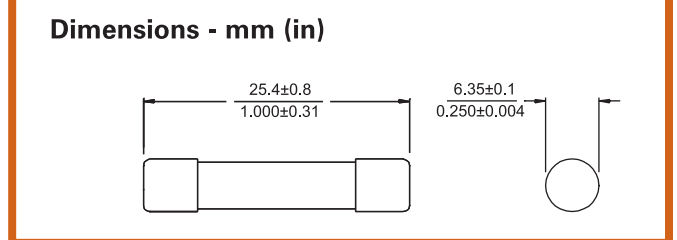
*Additional amp sizes available.
Please call for details*

CERAMIC & GLASS FUSES CONT.



FAST-ACTING 1/4" DIAMETER BY 1" LONG GLASS TUBE FUSE (6.4MM X 25.4MM)

- Nickel-plated brass endcap construction
- For instruments, electronic and small appliance circuits
- Size rejects insertion of other fuse types
- IR
 - 35A (1/16 – 1A @ 250 VAC)
 - 100A (1-1/4 – 3A@250 VAC)
 - 200A (4-20A@250 VAC)
 - 10kA (1/16 – 10A@125 VAC)
 - 200A (15 – 50A@125 VAC)
 - 100A (25 – 30A@125 VAC)
 - 1000A (8 – 30A@32Vac)
- Certifications
 - (1/10 – 10A) cULus: AGX 0-10A (Guide JDYX, File E 19180 and Guide JDYX7, File E19180)
 - (15 – 30A) UL Recognized Card: AGX 15-30A (Guide JDYX2, File E19180)
 - CSA Component Acceptance Card : AGX 15-30A (Class No. 1422-01, File 53787)



Part Number	Amps 1/16 – 30	Mars Equivalent	Other Equivalents	Case Qty
250 V				
AGX-1/10	0.1	–	361 & 362 (Littelfuse) BGX (Brush) SL4 (Fusetek) EGX GGX (Ferraz/ Shawmut)	5
AGX-1/4	0.25	–		5
AGX-1/2	0.5	82484		5
AGX-1	1	82486		5
AGX-1-1/2	1.5	–		5
AGX-2	2	82488		5
AGX-3	3	–		5
AGX-4	4	–		5
AGX-5	5	–		5
AGX-6	6	–		5
AGX-7	7	–	5	
AGX-8	8	–	5	
AGX-10	10	–	5	
AGX-15	15	–	5	
AGX-20	20	–	5	
125 V				
AGX-25	25	–	Same as above	5

*Additional amp sizes available.
Please call for details*



CERAMIC & GLASS FUSES CONT.



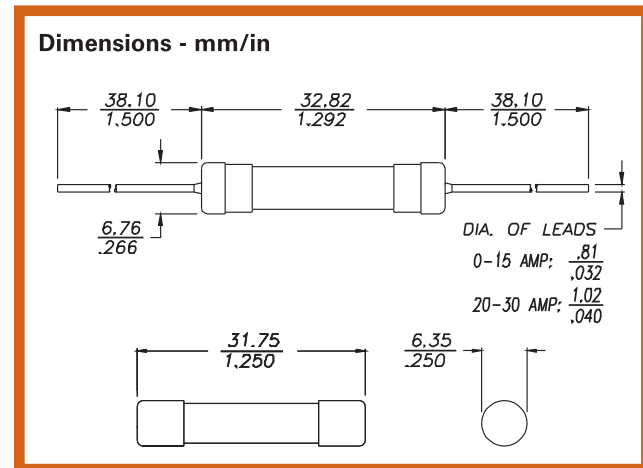
FAST-ACTING 1/4" DIAMETER BY 1 1/4" LONG 250 V GLASS FUSE (6.4MM X 31.7MM)

- Glass tube, nickel-plated brass endcap construction
- Optional axial leads available
- UL Listed product meets standard 248-14
- Original electronic glass tube fuse
- Fast-acting for maximum protection
- Wide amp/volt ratings allow versatility of protecting electronic circuits
- IR
 - 35A (1/20 – 1A @ 250 VAC)
 - 100A (1 1/4 – 3A @ 250 VAC)
 - 200A (4 – 10A @ 250 VAC)
 - 10kA (1/20 – 10A @ 125 VAC)
 - 1000A (12 – 30A @ 32Vac)
- Certifications
 - (0 – 10A) UL Listed, Guide JDYX, File E19180
 - (12 – 30A) UL Recognized, Guide JDYX2, File E19180
 - (1/20 – 30A) CSA Certification, Class 1422-01, File 053787
 - CE
 - RoHS compliant



Part Number	Amps 1/20 – 30	Mars Equivalent	Other Equivalents	Case Qty
AGC-6/10-R	.6	–		5
AGC-1/8-R	.125	–		5
AGC-1/4-R	.25	82450		5
AGC-3/8-R	.375	–		5
AGC-1/2-R	.5	82009		5
AGC-3/4-R	.75	82445		5
AGC-1-R	1	82456		5
AGC-1-1/4-R	1.25	82457		5
AGC-1-1/2-R	1.5	82458	312 (Littelfuse)	5
AGC-2-R	2	82460		5
AGC-2-1/2-R	2.5	82461		5
AGC-3-R	3	82462	BGC (Brush)	5
AGC-3-2/10-R	3.2	82459		5
AGC-3-1/2-R	3.5	–	SS2/SS6 (Fusetek)	5
AGC-4-R	4	82463		5
AGC-5-R	5	82464		5
AGC-6-R	6	82465	GGC (Ferraz/ Shawmut)	5
AGC-6-1/4-R	6.25	–		5
AGC-7-R	7	–		5
AGC-7-1/2-R	7.5	82466		5
AGC-8-R	8	82467		5
AGC-9-R	9	–		5
AGC-10-R	10	82468		5
AGC-15-R	15	82469		5
AGC-20-R	20	82471		5
AGC-25-R	25	82472		5
AGC-30-R	30	82473		5

Additional amp sizes available.
Please call for details

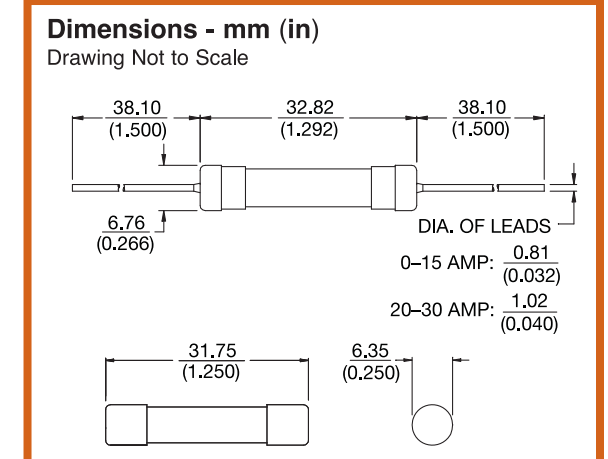


CERAMIC & GLASS FUSES CONT.



TIME-DELAY 1/4" DIAMETER BY 1 1/4" LONG 250 V GLASS FUSE (6.4MM X 31.7MM)

- Glass tube, nickel-plated brass endcap construction
- Optional axial leads available
- UL Listed product meets standard 248-14
- Time-delay allows close sizing on inductive circuits
- IR
 - 35A (1/16 – 1A @ 250 VAC)
 - 100A (1 1/4 – 3A @ 250 VAC)
 - 200A (4 – 8A @ 250 VAC)
 - 10000A (1/16 – 8A @ 125 VAC)
 - 1000A (9 – 30A @ 32Vac)
- Certifications
 - (1/16 – 8A) UL Listed, Guide JDYX, File E19180
 - (1/16 – 8A) CSA Certification Class 1422-01
 - (9 – 30A) UL Recognized, Guide JDYX2, File E19180,
 - (9 – 30A) CSA Component Acceptance, Class 142230
 - CE
 - RoHS compliant



Part Number	Amps 1/16 – 30	Mars Equivalent	Other Equivalents	Case Qty
MDL-1/2	0.5	–		5
MDL-3/4	0.75	–	313 (Littelfuse)	5
MDL-2	2	82507	BDL (Brush)	5
MDL-3	3	82510		5
MDL-4	4	82512	SD4 (Fusetek)	5
MDL-5	5	82513		5
MDL-8	8	82517		5
MDL-10	10	82518	GDL (Ferraz/Shawmut)	5

Additional amp sizes available. Please call for details



WARNING: Cancer and Reproductive Harm | www.P65Warnings.ca.gov

WWW.GLOBALTHESOURCE.COM | 800.531.5967

WARNING: Cancer and Reproductive Harm | www.P65Warnings.ca.gov

WWW.GLOBALTHESOURCE.COM | 800.531.5967

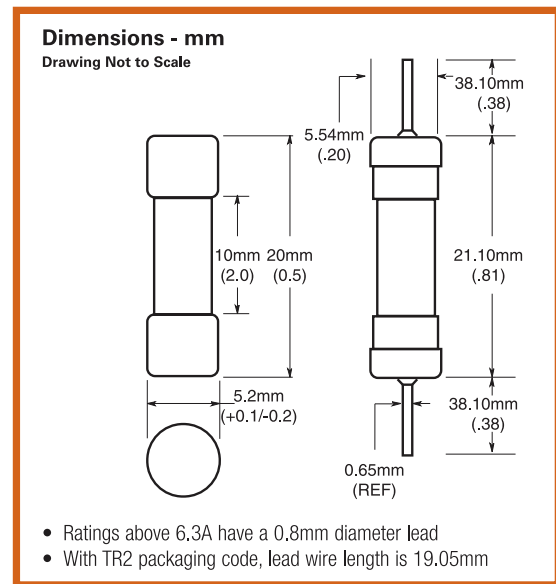


CERAMIC & GLASS FUSES CONT.



5MM DIAMETER BY 20MM LONG, GLASS FUSE (0.197" x 0.788")

- Glass tube, nickel-plated brass endcap construction
- Low breaking capacity fuse for use in electronic circuits
- Designed to UL/CSA 248-14
- Optional axial leads available
- IR
 - 35A (63mA- 1A @ 250 VAC, p.f. = 0.7-0.8)
 - 10kA (63mA-6A @ 125 VAC, p.f. = 0.7-0.8)
 - 100A (1.25-2.5A Fast-acting 3.15A Time-delay @ 250 VAC, p.f. = 0.7-0.8)
- Certifications
 - (0-6A) UL Listed Guide JDYX, File E19180
 - (0-6A Fast-acting | 63mA-6.3A Time-delay) CSA Certified, Class 1422-01, File 53787
 - RoHS compliant
 - MITI Approval, 1A-10A (Time-delay fuses only)
 - KC-Mark: Certificate (Time-delay fuses only) SU05011-4001 (63mA~250mA); SU05011-4002 (300mA~800mA); SU05011-4003 (1A~3.15A); SU05011-4004 (3.5A~6.3A)



Part Number	Amps 63mA – 15A	Mars Equivalent	Other Equivalents	Case Qty
250 V FAST-ACTING 5MM X 20MM GLASS FUSES				
GMA-500MA	500mA	-	235 (Littelfuse) BMA (Brush) MQ4 (Fusetek) GGM (Ferraz/Shawmut)	5
GMA-1-R	1			5
GMA-1.5-R	1.5			5
GMA-1.6-R	1.6			5
GMA-2.5-R	2.5			5
GMA-5-R	5			5
250 V MEDIUM TIME-DELAY 5MM X 20MM GLASS FUSES				
GMC-150MA	150mA	-	GSC (Ferraz/Shawmut)	-
GMC-1-R	1	82883		5
GMC-1.5-R	1.5	-		5
GMC-2-R	2	-		5
GMC-3-R	3	-		5
GMC-3.15-R	3.15	-		5

Additional amp sizes available. Please call for details



WARNING: Cancer and Reproductive Harm | www.P65Warnings.ca.gov

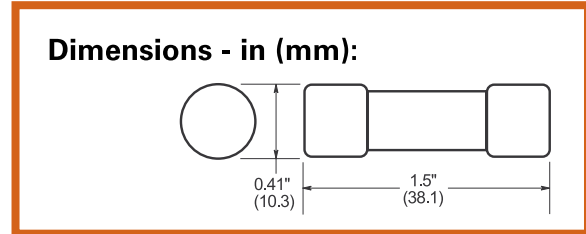
WWW.GLOBALTHESOURCE.COM | 800.531.5967

SUPPLEMENTAL FUSES



13/32" x 1 1/2" 250 V FAST-ACTING SUPPLEMENTAL FUSES (10.3MM X 38.1 MM)

- Color coded green for 250 VAC maximum voltage rating
- Fiber tube construction with nickel-plated endcaps.
- Typically applied to general purpose circuits, lighting circuit protection and meter circuits.
- IR:
 - 100A (1 1/2 – 2 1/5A @ 250 VAC)
 - 200A (4 – 10A @ 250 VAC)
 - 10kA (1/4 – 30 @ 125 VAC)
- Certifications
 - CE
 - UL Listed, Std. 248-14, 250 VAC (3 to 15A) Guide JDYX, File E19180
 - CSA Certified, 250 VAC (1/4 to 15A) Class 1422-01, File 53787



Part Number	Amps (1/4 – 30)	Color	Mars Equivalent	Other Equivalents	Case Qty
BAF-1-1/2	1.5	Green	-	BLF (Littelfuse) MOL (Edison)	1
BAF-10	10	Green	-	OTM (Ferraz/Shawmut)	1

Additional amp sizes available. Please call for details

WARNING: Cancer and Reproductive Harm | www.P65Warnings.ca.gov

WWW.GLOBALTHESOURCE.COM | 800.531.5967

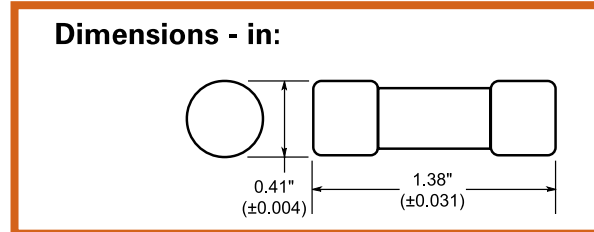


SUPPLEMENTAL FUSES CONT.



13/32" x 1 3/8" FAST-ACTING SUPPLEMENTAL FUSES (10.3MM X 34.925MM)

- Color coded for 600 VAC (black) 250 VAC (green) and 48 VAC (purple) for maximum voltage ratings
- Fiber tube construction with nickel-plated endcaps.
- Typically applied to control circuits, gaseous vapor fixtures, HID ballasts, electronic circuits, and hand-held meters
- IR:
 - 10kA (1/10 – 6 @ 600 VAC)
 - 10kA (7 – 10 @ 250 VAC)
- Certifications
 - CE
 - UL Listed, Std. 248-14 (1/10-6A@600 VAC, 7-10A@250 VAC), Guide JDYX, File E19180
 - CSA Certified, C22.2 No. 248.14 (1/10-6A@600 VAC, 7-10A@250 VAC), Class 1422-01, File 53787



Part Number	Amps (1/10 – 30)	Color (Voltage)	Mars Equivalent	Other Equivalents	Case Qty
BBS-1	1	Black (600 V)	82608	BLS (Littelfuse) EBS (Edison)	1
BBS-1-1/2	1.5	Black (600 V)	–		1
BBS-2	2	Black (600 V)	82609		1
BBS-3	3	Black (600 V)	82610		1
BBS-4	4	Black (600 V)	82611		1
BBS-5	5	Black (600 V)	82612		1
BBS-10	10	Green (250 V)	–		1
BBS-15	15	Purple (48 V)	–		1
BBS-20	20	Purple (48 V)	–		1

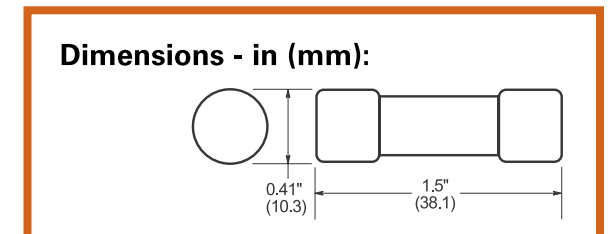
Additional amp sizes available. Please call for details

SUPPLEMENTAL FUSES CONT.



13/32" x 1 1/2" 600 V FAST-ACTING SUPPLEMENTAL FUSES (10.3MM X 38.1MM)

- Color coded black for 600 VAC voltage rating
- Fast-acting for resistive loads
- Melamine tube construction with nickel-plated endcaps
- Typically applied to control circuits, lighting circuit protection and meter circuits.
- IR: 100kA RMS Sym. (UL)
- Certifications
 - UL Listed, Std. 248-14, Guide JDYX, File E19180
 - CSA Certified: C22.2 No. 248.14, Class 1422-01, File 53787, HRC-MISC
 - CE and RoHS compliant



Part Number	Amps (1/10 – 30)	Color	Mars Equivalent	Other Equivalents	Case Qty
KTK-2	2	Black	82911	AMT (Gould) KLK (Littelfuse) MCL (Edison)	10
KTK-3	3	Black	82916		10
KTK-5	5	Black	82913		10
KTK-10	10	Black	82917		10
KTK-15	15	Black	82919		10
KTK-20	20	Black	82920		10
KTK-30	30	Black	82922		10
KTK-35	35	Black	–		10

Additional amp sizes available. Please call for details



SUPPLEMENTAL FUSES CONT.

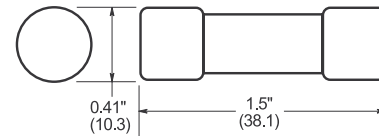


13/32" x 1-1/2" TIME-DELAY SUPPLEMENTAL FUSES (10.3MM X 38.1MM)

- Melamine tube construction with nickel-plated endcaps and color coded for maximum voltage rating (green for 250V and orange for 500V)
- Typical applications include motor control transformers and circuits with in-rush currents
- For superior protection, upgrade to Class CC fuses
- IR:
 - 35 A (1/10 – 1 A @ 250 VAC)
 - 100 A (1 1/8 – 3 1/2 A @ 250 VAC)
 - 200 A (4 – 10 A @ 250 VAC)
 - 100 kA (1/10 – 30 A @ 500 VAC, 12 – 30 A @ 250 VAC, 1/10 – 10 @ 125 VAC)
- Certifications
 - UL® Listed, Std. 248-14, Guide JDYX, File E19180
 - CSA® Certified: C22.2 No. 248.14, Class 1422-01, File 53787, HRC-MISC
 - CE and RoHS compliant (FNQ-1/8 not RoHS compliant)



Dimensions - in (mm):



Part Number	Amps (1/10 – 30)	Color	Mars Equivalent	Other Equivalents	Case Qty
250 V					
FNM-8/10	0.8	Green	82953	FLM (Littelfuse) MEN (Edison) TRM (Ferraz/Shawmut)	1
FNM-1	1	Green	82958		1
FNM-2	2	Green	82959		1
FNM-2-1/2	2.5	Green	—		1
FNM-5	5	Green	82965		1
FNM-6-1/4	6.25	Green	—		1
FNM-7	7	Green	—		1
FNM-10	10	Green	82970		10
FNM-15	15	Green	82972		1
500 V					
FNQ-3/10	0.3	Orange	—	FLQ (Littelfuse) MEQ (Edison) ATQ (Ferraz/Shawmut)	1
FNQ-1	1	Orange	82936		10
FNQ-2	2	Orange	82941		10
FNQ-3	3	Orange	82942		10
FNQ-5	5	Orange	82944		10
FNQ-10	10	Orange	82947		1
FNQ-15	15	Orange	82952		1
FNQ-20	20	Orange	82948		1
FNQ-25	25	Orange	82949		10
FNQ-30	30	Orange	82951		1

Additional amp sizes available. Please call for details

WARNING: Cancer and Reproductive Harm | www.P65Warnings.ca.gov

WWW.GLOBALTHESOURCE.COM | 800.531.5967



PLUG FUSES & ADAPTERS



125VAC DUAL-ELEMENT, TIME-DELAY PLUG FUSES

Used for all commercial applications, the Type T and Type S plug fuses are industrial strength products. They provides superior protection, yet will not open under repeated motor startups. Available in a wide amp range to permit exact sizing for motor protection.

- Used for air conditioners, furnace blower motors, swimming pool pumps, deep freezers or any circuit where motors frequently turn on and off
- This spring loaded design provides superior short circuit and overload protection
- IR:
 - 10 kA RMS Sym.
- Certifications
 - UL® Listed (up to 6-1/4 A), Std. 248-11, Guide JFHR, File E56412, (7 to 30 A) Guide JEFV, File E12112
 - CSA® Certified, Class 1423-01, File 53787
 - CE



Part Number	Amps 1/4 – 30	Mars Equivalent	Other Equivalents	Case Qty
TYPE S (REJECTION BASE)				
S-1-1/4	1 1/4	82307	SOO (Littelfuse)	4
S-1-6/10	1 6/10	82308		4
S-2	2	82311		4
S-2-8/10	2 8/10	—		4
S-3	3	82315		4
S-3-2/10	3 2/10	82316		4
S-4	4	82318		4
S-5	5	82320		4
S-6	6	—		4
S-6-1/4	6 1/4	82323		4
S-7	7	—		4
S-8	8	82325		4
S-10	10	82327		4
S-12	12	82328		4
S-14	14	—		4
S-15	15	82330	4	
S-20	20	82331	4	
S-25	25	82332	4	
S-30	30	82333	4	

Part Number	Amps 1/4 – 30	Mars Equivalent	Other Equivalents	Case Qty
TYPE T (EDISON BASE)				
T-1-1/4	1 1/4	82334	TOO (Littelfuse)	4
T-1-6/10	1 6/10	—		4
T-2-1/4	2 1/4	—		4
T-3-2/10	3 2/10	82338		4
T-4	4	82339		4
T-5	5	82340		4
T-6	6	—		4
T-6-1/4	6 1/4	82341		4
T-8	8	82342		4
T-10	10	82343		4
T-12	12	—		4
T-15	15	82346		4
T-20	20	82347		4
T-25	25	82348		4

Additional amp sizes available. Please call for details

WARNING: Cancer and Reproductive Harm | www.P65Warnings.ca.gov

WWW.GLOBALTHESOURCE.COM | 800.531.5967



PLUG FUSES & ADAPTERS CONT.



125VAC TIME-DELAY, LOADED LINK PLUG FUSES

- Use in residential or light-duty motor circuits
- Will withstand typical motor starting surges
- IR: 10 kA RMS Sym.
- Certifications
 - UL® Listed, Std. 248-11, Guide JEFV, File E12112
 - CE



Part Number	Amps 15 – 30	Mars Equivalent	Other Equivalents	Case Qty	Part Number	Amps 15 – 30	Mars Equivalent	Other Equivalents	Case Qty
TYPE SL (REJECTION BASE)					TYPE TL (EDISON BASE)				
SL-15	15	82330	GLS (Ferraz/ Shawmut)	4	TL-15	15	82350	GTS (Ferraz/ Shawmut)	4
SL-20	20	82331	SLO (Littelfuse)	4	TL-20	20	82351	GTS (Ferraz/ Shawmut)	4
					TL-25	25	82352	TLO (Littelfuse)	4
					TL-30	30	82353	TLO (Littelfuse)	4

Additional amp sizes available. Please call for details

SA FUSE ADAPTERS

Adapters for using Type S and SL rejection base fuses in Edison base fuse sockets. Amp rating rejection feature helps prevent over-fusing.

- Fustat adapters screw into the “Edison” thread fuse sockets to easy retrofit existing fuse installations to rejection base fuses
- Available in various amp ratings to cover a wide range of rating requirements to help prevent over-fusing
- Typically applied to plug fuse installations where it is desirable to restrict fuse amp ratings and help prevent over-fusing
- Certifications
 - UL Listed, File E12853
 - CSA Certified, Class 6225-01, File 47235



Part Number	Accepts S fuses	Mars Equivalent	Other Equivalents	Case Qty
SA-1-1/4	≤ S-1-1/4	–	SA (Edison)	4
SA-1-6/10	≤ S-1-6/10	–		4
SA-6-1/4	S-6-1/4 to S-3-1/2	82379		4
SA-8	S-8 to S-7	–		4
SA-10	S-10 to S-7	–	SAO (Littelfuse)	4
SA-15	S-15 to S-7	82382		4
SA-20	S-20	82383		4
SA-30	S-30 to S-25	82384		4

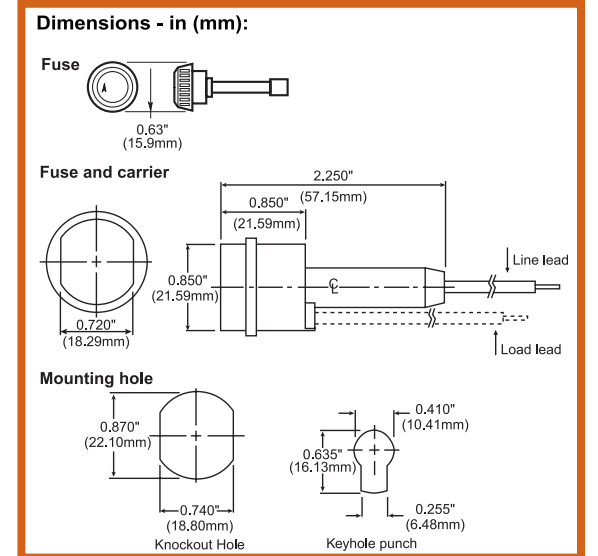
Additional amp sizes available. Please call for details

IN-LINE FUSES



NON-REJECTION & REJECTION IN-LINE FUSES

- In-line, time-delay circuit protection
- Fuse and knob are an integral one-piece unit. There are no replacement knobs (caps)
- Rejection feature prevents overfusing
- IR: 10 kA
- Non-Rejection Certifications
 - UL® Listed, Std. 248-14, Guide JDYX, File E19180
 - CSA® Certified, C22.2 No. 248.14, Class 1422-01, File 53787
 - CE
- Rejection Certifications
 - UL® Listed, Guide JDYX, File E19180
 - CSA® Certified, Class 1422-01, File 53787
 - CE



Part Number	Amps*	Mars Equivalent	Other Equivalent	Case Qty
300V NON-REJECTION				
GMF-2	2	–	LGR (Littelfuse)	5
GMF-3-2/10	3.2	–	SLR (Ferraz/Shawmut)	5
300V REJECTION				
GMQ-1-6/10	1.6	–	LMF (Littelfuse)	5
GMQ-2-1/2	2.5	–		5
GMQ-3-2/10	3.2	82880	SMF (Ferraz/Shawmut)	5
GMQ-4	4	82884		5
GMQ-5	5	–		5

* Ampere Rating: 3/10 – 6 1/4 on Non-Rejection | 1/2 – 6 1/4 on Rejection

Additional amp sizes available. Please call for details



BLADE & MINI BLADE FUSES



FAST-ACTING BLADE & MINI BLADE FUSES

- A range of UL® Recognized fast-acting blade fuses for automotive and low-voltage control circuits.
- Industry standard color coding for quick identification of amp rating
- Tin-plated zinc terminals and element on ATC blades.
- Silver-plated zinc terminals and element on ATM blades.
- Polyamide housing with UL 94 HB flammability rating on both.
- Operating temperature range -40°C to (80°C for ATCM | 100°C for ATC), 95% RH non-condensing.
- Storage temperature range -5°C to 35°C or lower, 85% RH non-condensing.
- IR: 1 kA
- ATC Certifications
 - UL Recognized File E56412, Guide JFHR2, UL 248-1 (1-40A).
 - ISO 8820-3 / SAE J1284 / JASO 612 (1-40A).
 - SAE J1171 (Ignition protection)
 - RoHS compliant
- ATM Certifications
 - UL Listed, Guide FHXT, File AU169
 - ISO 8820-3 / JASO D612 / SAE J2077 and J1171 ignition protection
 - RoHS compliant



Part Number	Amps*	Color	Mars Equivalent	Other Equivalents	Case Qty
250 V FAST-ACTING BLADE FUSES					
ATC-3	3	Violet	82230	ATO (Littelfuse)	5
ATC-4	4	Pink	82232		5
ATC-5	5	Tan	82231		5
ATC-7-1/2	7.5	Brown	82233		5
ATC-10	10	Red	82234		5
ATC-15	15	Blue	82235		5
ATC-20	20	Yellow	82236		5
ATC-25	25	Clear	82237		5
ATC-30	30	Green	82238		5
250 V FAST-ACTING MINI BLADE FUSES					
ATM-3	3	Violet	-	-	5
ATM-10	10	Red	-	-	5

* 1 – 40 A sizes available for Blade Fuses, 2 – 30 A sizes available for Mini Blade Fuses

Additional amp sizes available. Please call for details

⚠ WARNING: Cancer and Reproductive Harm | www.P65Warnings.ca.gov

WWW.GLOBALTHESOURCE.COM | 800.531.5967

⚠ WARNING: Cancer and Reproductive Harm | www.P65Warnings.ca.gov

WWW.GLOBALTHESOURCE.COM | 800.531.5967





MINIATURE PRESSURE SWITCHES

GFC, GLP, GHP AND GMR SERIES

Global offers a complete line of pressure controls for fixed set point, low and high pressure, manual reset, and fan cycling applications.



- GFC, CLP, GHP
 - 18" leads and 1/4" female flare fitting connection
 - Direct line mount
 - Contacts rated 6 amps, 24-240 VAC



- GMR-350
 - 1/4" Copper tube connection



- GMR-352
 - >40" Lead
 - Panel Mount Cap
 - >30" Capillary tube connection



- GMR-365
 - Contacts rated 3 A, 25 V
- GMR-368
 - Contacts rated 3 A, 250 V

Global Part Number	Case Qty	Open	Reset	Cross Reference	
				Klixon	Mars
FAN CYCLING CONTROLS					
GFC-340	50	126	264	20PS116KA264G126G	43303
GFC-341	50	210	275	20PS107KA275K210K	43306
FIXED SETTING PRESSURE CONTROL					
GFC-370	50	400	300	20PS535MA400K300K	43340
LOW PRESSURE - N.O.					
GLP-329	50	5	20	PS80-K2-F0305-020-005	43341
GLP-330	50	10	25	PS80-K2-F0307-025-005	43343
GLP-342	50	75	100	—	43353
GLP-362	50	25	50	PS80-K2-F0316-050-005	43346
GLP-363	50	25	80	PS80-K2-F0325-080-005	43348
GLP-364	50	40	80	PS80-K2-F0326-080-005	43350
GLP-371	50	15	40	—	43371
GLP-372	50	22	50	—	43372
GLP-373	50	25	40	—	43373
GLP-374	50	60	95	—	—
GLP-375	50	90	120	—	43375
HIGH PRESSURE - N.C.					
GHP-353	50	200	150	PS80-K1-0334-200-150	43337
GHP-354	50	250	150	PS80-K1-0336-250-150	43322
GHP-355	50	300	200	PS80-K1-0341-300-200	43325
GHP-356	50	350	250	PS80-K1-0348-350-250	43327
GHP-357	50	400	200	PS80-K1-0357-400-200	43329
GHP-358	50	400	300	PS80-K1-0358-400-300	43331
GHP-359	50	450	250	PS80-K1-0359-450-250	43334
GHP-361	50	600	475	—	43335
GHP-365	50	590	490	—	—
GHP-366	50	610	500	—	—
GHP-367	50	650	500	—	—
GHP-376	50	610	500	—	—
MANUAL RESET - N.C.					
GMR-350	50	415	300	29PSL004-1	43314
GMR-352	50	425	300	29PSP002-1	43315
GMR-365	50	410	300	29PSL012-24	43313
GMR-368	50	590	460	—	43368

HVAC CONTROLS

MINIATURE PRESSURE SWITCHES

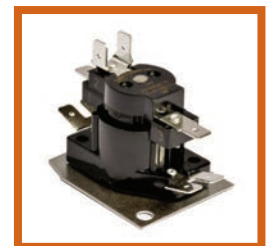
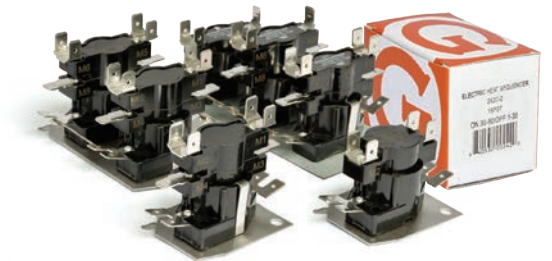




HEAT SEQUENCERS

The positive temperature coefficient (PTC) heater element provides voltage compensation over a wide voltage range without danger of over-heating at high voltage. It is self-current limiting, and assures device actuation under low voltage conditions. The PTC has a unique feature of always stabilizing temperature, regardless of ambient temperature or voltage range.

- Solid state PTC heaters
- Replaces most Klixon & TOD brands
- Quick-connect terminals
- Shock and vibration resistant
- Mounts in any position
- Contact ratings – to 25 Amps at 120 or 240 Volts, and 12.5A at 480 Volts
- Full-load rated auxiliary contacts
- Custom timings available
- UL File E237660, UL873; CSA approved
- Coil Data
 - Standard Operating Ambiance Between – 50° F (-45.5°C) and 165° F (73.8°C)
 - 24 VAC
 - Inrush current: 0.75 A
 - Steady state current: 0.16 – 0.20 A
- Sequencing of heater banks in:
 - Electric furnaces
 - Baseboard, duct and suspension heaters
 - Recreational vehicle blower and element control
 - Heat pump blower and heating element control
 - Motor speed switching in air conditioning (high speed) / heating systems (low speed) where a single set of contacts handle combination motor and heater element loading in the heating function.
 - Control circuits requiring definite sequence on both start up and shut down



HEAT SEQUENCERS

HEAT RESTRING KITS

24ZC-15

The 24ZC-15 utilizes a single bi-metal disc in a single pole double throw configuration. The SPDT switch action allows for a single set of timings. Mainly used in heat pump air handlers by providing a delay to the blower motor in cooling mode.

Global Part Number	Case Qty	Cross Reference							
		Zettler	Mars	Supco	TOD	Klixon	A1	White Rodgers	Gemline
24ZC-1	160	ZC24A34-1	33241	Q101	12S20	60000AOMA012	TDR10	24A34-1	GS101
24ZC-2	160	ZC24A34-2	33242	Q102	12S20	60000AOME017	TDR15	24A34-2	GS102
24ZC-3	160	ZC24A34-3	33244	Q103	12S22	60000EOM51172	TDR20	24A34-3	GS103
24ZC-4	160	ZC24A34-4	33245	Q104	12S22	60000EO49	TDR25	24A34-4	GS104
24ZC-5	80	ZC24A34-5	33232	Q105	15S21	51172-32	TDR30	24A34-5	GS105
24ZC-6	80	ZC24A34-6	33233	Q106	15S22	51172-33	-	24A34-6	GS106
24ZC-14	48	ZC24A34-14	-	-	15S241	-	-	24A34-14	-
24ZC-15	160	ZC24A34-15	-	-	-	-	-	-	-

⚠ WARNING: Cancer and Reproductive Harm | www.P65Warnings.ca.gov



HEAT SEQUENCERS CONT.

SINGLE LOAD CONTACT ELECTRICAL RATINGS (MODELS -1 THRU -14)						
VAC	Resistive (Non-Inductive) N.O. Contacts (Terminals 1-3)		Motor Ratings (Inductive)		Pilot Duty	UL Endurance Cycles
	Watts	Amps	Full Load	Locked Rotor		
120	3000	25	10 A	60 A	125 VA	100K
240	6000	25	5 A	30 A	125 VA	
480	6000	12.5	3 A	18 A	480 VA	

COMBINED LOAD CONTACT ELECTRICAL RATINGS (ALL MODELS)					
VAC	Resistive (Non-Inductive)		Motor Ratings (Inductive)		Combined Amps
	Watts	Amps	Full Load	Locked Rotor	
240	5520	23	7 A	42 A	30 A

STANDARD TIMINGS (MODELS -1 THRU -14)												
Part Number	Timings	Switches	ON Timings					OFF Timings				
			M1-M2	M3-M4	M5-M6	M7-M8	M9-M10	M1-M2	M3-M4	M5-M6	M7-M8	M9-M10
24ZC-1	1	1 (SPST)	1-20					40-110				
24ZC-2	1	1 (SPST)		30-90						1-30		
24ZC-3 ¹	1	2 (DPST)	1-20	1-20				40-110	40-110			
24ZC-4	1	2 (DPST)			30-90	30-90				1-30	1-30	
24ZC-5 ¹	2	3 (DPST, SPST)	1-110	1-110	1-110			1-110	1-110	1-110		
24ZC-6 ¹	2	4 (DPST, DPST)	1-110	1-110	1-110	1-110		1-110	1-110	1-110	1-110	
24ZC-14 ^{1,2}	4	5 (DPST, DPST, SPST)	1-160	1-160	1-160	1-160	1-160	1-160	1-160	1-160	1-160	1-160

¹ M1-M2 and M3-M4 are always the first switches to turn ON and last to turn OFF.

All other switches are random ON and random OFF.

² 24A34-14 Switch contacts designated F1-F2 instead of M1-M2.

: ## These contacts switch simultaneously

ON TIME – Elapsed time to make contacts after heater is energized (Min. to Max.)

OFF TIME – Elapsed time to make contacts after heater is de-energized (Min. to Max.)

OFF Timings determined after PTC heater has been electrified for a total of 5 minutes.

Standard Timings determined at 25° C . Timing's at temperatures above or below 25° will vary.

ELECTRICAL RATINGS (24ZC-15)									
VAC	N.O. Contacts (Terminals 1, 3)					N.C. Contacts (Terminals 1, 2)			UL Endurance Cycles
	Resistive (Non-Inductive)		Motor (Inductive)		Pilot Duty	Resistive (Non-Inductive)		Pilot Duty	
	Watts	Amps	FLA	LRA	(VA)	Watts	Amps	(VA)	
120	3000	25	14	72	125	1200	10	125	30K
240	6000	25	7	42	125	1200	5	125	
480	6000	25	3	18	480				

STANDARD TIMINGS (24ZC-15)				
Part Number	Timings	Switches	ON Timings	OFF Timings
24ZC-15	1	1	1-25	65-115



WARNING: Cancer and Reproductive Harm | www.P65Warnings.ca.gov

WWW.GLOBALTHESOURCE.COM | 800.531.5967

HEAT RESTRING KITS

HEAT RESTRING KITS

- Quality restrings for electric strip heater repair.
- Each kit contains:
 - One close-wound coil with terminal bolts attached
 - Two sets of ceramic terminal bushings
 - Four hex nuts
 - Two lock and two flat washers.
- Coils fit ceramic insulators with 3/8" inside diameter openings.

Part Number	Watts	Coil Diameter	Stretch Min./Max.*	Case Qty
HEAT RESTRING KITS				
5005	5000 @ 240 V	3/8"	40" to 114"	10
5005NF**	5000 @ 240 V	3/8"	40" to 114"	10

* Actual measurements may vary
**No fuse included in kit



WARNING: Cancer and Reproductive Harm | www.P65Warnings.ca.gov

WWW.GLOBALTHESOURCE.COM | 800.531.5967





RELAYS AND TRANSFORMERS

FAN RELAYS

POTENTIAL RELAYS

FOOT MOUNT TRANSFORMERS

MULTI-MOUNT TRANSFORMERS

POWER TRANSFORMERS

FAN CENTERS

FAN RELAYS

Global general purpose fan relays are value priced, UL recognized and 50/60 Hz. The GFR series includes a universal mounting bracket and will replace the most popular products in use today. All fan relays are case quantity 100.



Part Number	Coil VAC	Contact Type	Resistive Amps				Full Load Inductive Amps				Locked Rotor Inrush Amps							
			120	250	277	480	120	125	240	250	277	480	120	125	240	250	277	480
GFR-290	24	SPNO		16					8						25			
GFR-291	120	SPNO		16					8						18			
GFR-292	240	SPNO		16					8						25			
GFR-293	24	SPDT		16					8						25			
GFR-294	120	SPDT		16					8						25			
GFR-295	240	SPDT		16					8						25			
GFR-340	24	DPDT	15		15	10	13.8		6.9		6	3	82.8		39.6		36	18
GFR-341	110/120	DPDT	15		15	10	13.8		6.9		6	3	82.8		39.6		36	18
GFR-342	208/240	DPDT	15		15	10	13.8		6.9		6	3	82.8		39.6		36	18
GFR-360	24	SPNO			25			12		8				60		48		
GFR-362	120	SPNO			25			12		8				60		48		
GFR-364	240	SPNO			25			12		8				60		48		
GFR-370	24	SPDT			25			14		8				84		48		
GFR-372	120	SPDT			25			14		8				84		48		
GFR-374	240	SPDT			25			14		8				84		48		
GFR-377	277	SPDT			25			14		8				84		48		
GFR-380	24	SPNO/SPNC			25			12		8	7			60		48	42	
GFR-382	120	SPNO/SPNC			25			12		8	7			60		48	42	
GFR-384	240	SPNO/SPNC			25			12		8	7			60		48	42	

FAN RELAY CROSS REFERENCE						
Part Number	Coil VAC	Contact Type	JARD	MARS / SUPCO	Packard	Diversitech
GFR-290	24	SPNO	92290	90290	PR290Q	D90-290Q
GFR-291	120	SPNO	92291	90291	PR291Q	D90-291Q
GFR-292	240	SPNO	92292	90292	PR292Q	D90-292Q
GFR-293	24	SPDT	92293	90293	PR293Q	D90-293Q
GFR-294	120	SPDT	92294	90294	PR294Q	D90-294Q
GFR-295	240	SPDT	92295	90295	PR295Q	D90-295Q
GFR-340	24	DPDT	92340	90340	PR340	D-90340
GFR-341	110/120	DPDT	92341	90341	PR341	D-90341
GFR-342	208/240	DPDT	92342	90342	PR342	D-90342
GFR-360	24	SPNO	92360	90360	PR360	D90-360
GFR-362	120	SPNO	92362	90362	PR362	D90-362
GFR-364	240	SPNO	92364	90364	PR364	D90-364
GFR-370	24	SPDT	92370	90370	PR370	D90-370
GFR-372	120	SPDT	92372	90372	PR372	D90-372
GFR-374	240	SPDT	92374	90374	PR374	D90-374
GFR-377	277	SPDT	-	-	-	-
GFR-380	24	SPNO/SPNC	92380	90380	PR380	D90-380
GFR-382	120	SPNO/SPNC	92382	90382	PR382	D90-382
GFR-384	240	SPNO/SPNC	92384	90384	PR384	D90-384



POTENTIAL RELAYS

The Global line of potential relays are superior in both price and performance. These relays assist in the control of air conditioning, heating or refrigeration system compressor motors.

- 50A switching capability
- SPST-NC configurations
- .250" quick connect termination
- ISO 9001 certified
- UL, CUR SA11095
- Non-position sensitive design (except in configuration #3)
- Universal mounting– complete with screws



Global	Hold Voltage	Pick-Up Voltage	Drop Out Voltage	Case Qty
GPR-63	170	140-153	30-65	75
GPR-64	395	245-275	60-140	75
GPR-65	336	171-184	55-90	75
GPR-66	395	208-239	60-130	75
GPR-67	420	300-328	75-121	75
GPR-68	495	323-352	75-135	75
GPR-69	336	180-195	40-105	75
GPR-70	253	285-305	35-77	75
GPR-71	420	212-232	60-121	75

POTENTIAL / UNIVERSAL RELAY CROSS REFERENCE			
Global	Mars (Potential)	Mars (Universal)	3ARR3 G.E. Groups
GPR-63	19163	19002	2J, 2K, 2L, 2M, 5n, 7J, 7K, 7L, 7M, 7n, 8L, 8M, 8N
GPR-64	19164	19003	3A, 3B, 3AV, 3AU, 4A, 4B, 6A, 6B, 6AV, 10A, 10B, 10AU, 10A
GPR-65	19165	19004	3P, 3R, 3AP, 5P, 5R, 5S, 5T, 22S
GPR-66	19166	19005	3U, 3V, 3AT, 6U, 6V, 6W
GPR-67	19167	19006	3C, 3D, 3AA, 4C, 4D, 4BK, 6C, 6D, 6AA, 10C, 10D, 26A, 26B, 26C, 26D
GPR-68	19168	19007	3e, 3F, 3AB, 3AC, 4e, 4F, 4G, 6e, 6F, 6G, 10H, 10AB, 10AC, 26e, 26F, 26G, 26H, 27e, 27F, 27G
GPR-69	19169	19008	3S, 3T, 10S, 10T, 25S, 25T, 10AS
GPR-70	19170	19009	5B, 5C, 5D, 5AA, 8B, 8C, 8D
GPR-71	19171	19010	6TV, 6TW, 10V

FOOT MOUNT TRANSFORMERS

- Foot mount plate
- Color coded wire leads
- Sturdy construction
- UL recognized

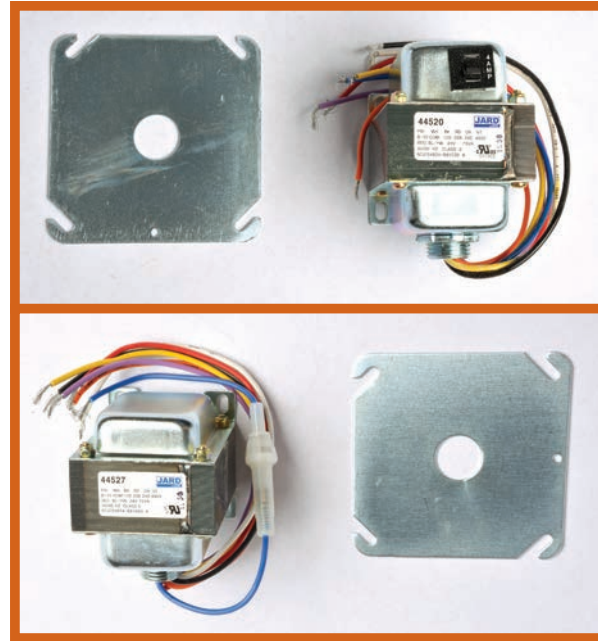


Part Number	VA	VAC		Case Qty	Cross Reference				
		Primary	Secondary		Jard	Mars	Honeywell	White Rogers	Packard
OPEN CONSTRUCTION, WIRE LEADS¹									
GT2031F	20	120/208/240	24	30	2031F	44501	AT20A1123	–	PF42420
GT4011F	40	120	24	21	4011F	44502	AT40A1121 AT140B1206	P-T40F1	PF12440
GT4021F	40	208/240	24	20	4021F	44503	AT40A1139	90-T40F2	PF22440
GT4031F	40	120/208/240	24	24	4031F	44504	AT40A1121 AT40A1139 AT140B1214	90-T40F3	PF42440
GT4032F	40	120/208/240	2.5/12/24	10	4032F	44505	–	–	PF32440
GT40271F	40	277	24	10	40271F	44507	–	–	PF27440
GT5031F	50	120/208/240	24	24	5031F	44508	AT150B1146	90-T50F3	–
GT7531F	75	120/208/240	24	24	7531F	44510	–	–	–
CLOSED CONSTRUCTION WITH CIRCUIT BREAKER^{1,2}									
GT5041C	50	120/208/240/480	24	10	5041C	44511	–	90-T50C3	–
GT6041C	60	120/208/240/480	24	10	6041C	44512	–	90-T60C3	PF52460
GT7541C	75	120/208/240/480	24	10	7541C	44513	AT88A1005 AT88A1021 AT88A1047	90-T75C3	PF52475
GT7541STC	75	120/277/380/575	24	12	7541STC	44514	–	–	–
GT10041C	100	120/208/240/480	24	10	10041C	44515	–	–	PF524100
GT10041STC	100	120/277/380/575	24	12	10041STC	44516	–	–	–
CLOSED CONSTRUCTION QUICK CONNECT									
GT4031OEM	40	120/208/240	24	15	4031OEM	44517	–	–	–

¹ Safety agency approved
² All models feature a UL recognized manual reset circuit breaker

MULTI-MOUNT TRANSFORMERS

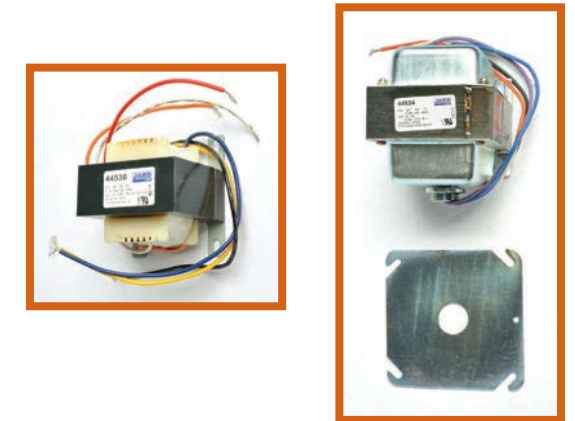
- Plate mount or foot mount
- Optional 3-way mounting for maximum flexibility
- Closed construction
- 4" x 4" plate
- Safety agency approved
- Welded laminations for quiet operation
- UL Recognized



Part Number	VA	VAC		Case Qty	Cross Reference				
		Primary	Secondary		Jard	Mars	Honeywell	White Rogers	Packard
WITHOUT CIRCUIT BREAKERS									
GT4011M	40	120	24	24	4011M	44522 50302	AT72D1683 AT140A1000	90-T40M1	PM12440
GT4031M	40	120/208/240	24	15	4031M	44524 50303 50304	AT72D1683 AT72D1691 AT140A1080	90-T40M2 90-T40M3	PM32440 PM42440
GT5031M	50	120/208/240	24	18	5031M	44525 50314	AT150A1007	90-T50M3	PM44450
GT5032M	48	120/208/240	2.5/12/24	12	5032M	44526 50333	-	-	PM43448
GT7541M	75	120/208/240/480	24	10	7541M	44527	AT175A1008 AT175F1023	-	-
WITH CIRCUIT BREAKERS									
GT5041MCB	50	120/208/240/480	24	10	5041MCB	44519	AT150F	-	-
GT7541MCB	75	120/208/240/480	24	10	7541MCB	44520	AT175F	-	-

POWER TRANSFORMERS

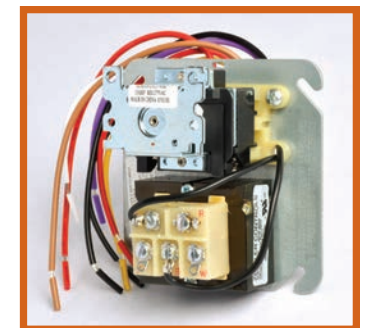
- GT10048P
 - Several models with dual voltage output
 - Welded laminations for quiet operation
 - Conservative heat rise characteristics
 - UL 506



Part Number	VA	VAC		Case Qty	Cross Reference	
		Primary	Secondary		Jard	Mars
OPEN CONSTRUCTION FOOT MOUNT WIRE LEADS						
GT5024P	50	280/240	120/24	10	5024P	44536
GT7524P	75	208/240	120/24	12	7524P	44538
FULLY ENCLOSED JUNCTION BOX READY						
GT10048P	100	240/480	120	12	10048PC	44534

FAN CENTERS

Global Fan Center controls provide convenient low voltage for one and two speed fan motors and auxiliary circuits in heating, cooling or heating/cooling applications. Each fan center control is a reliable, compact unit consisting of a 24 volt control transformer and a plug-in switching relay mounted on a 4" square electrical junction box cover. All line voltage connections are made inside the box with color coded pre-stripped leads. Low voltage connections are made at a convenient terminal board mounted to the transformer.



- Color coded pre-stripped leads
- Low voltage terminal board
- Mounts directly to 4" electrical box

Part Number	VA	VAC		Contact Type	Case Qty	Cross Reference				
		Primary	Secondary			Jard	Mars	Honeywell	White Rogers	Packard
OPEN CONSTRUCTION, WIRE LEADS¹										
GT40118FC	40	120	24	DPDT	12	40118FC	24013/24020	R828TA1048	90-113	FC90113
GT4031FC	40	208/240	24	DPDT	12	4031FC	24010/24022	R8285B1053	90-118	FC90119



GAS BALL VALVES



- Forged brass, two piece body, lever handle
- 175 PSi
- 1/2 PSIG and 5G Certified
- -20°F to 300°F temperature range
- Quarter turn lever handle for positive on/off operation
- Coated aluminum handle for corrosion & solvent resistance
- Multi-directional flow
- Chrome plated brass ball

Part Number	Size	Connection	Case Qty
110-222	3/8"	FIP x FIP	10
110-223C	1/2"	FIP x FIP	10
110-223R	1/2" - Red H	FIP x FIP	10
110-224C	3/4"	FIP x FIP	10
110-225	1"	FIP x FIP	6

GAS GAS BALL VALVES
GAS CONNECTORS

GAS CONNECTORS



- -40°F to 150°F operating temperature
- Zinc-plated steel S45C Fittings
- Coated connectors have yellow epoxy coating for extra safe-guard protection from common wear & tear

Part Number	Description	Case Qty
G012SS101024	1/2 ID, 1/2M X 1/2M, 24" - Stainless Steel	25
G012SS101036	1/2 ID, 1/2M X 1/2M, 36" - Stainless Steel	25
G012SS101048	1/2 ID, 1/2M X 1/2M, 48" - Stainless Steel	25
G012YE101024	1/2 ID, 1/2M X 1/2M, 24" - Yellow Coated	25
G012YE101036	1/2 ID, 1/2M X 1/2M, 36" - Yellow Coated	25
G012YE101048	1/2 ID, 1/2M X 1/2M, 48" - Yellow Coated	25





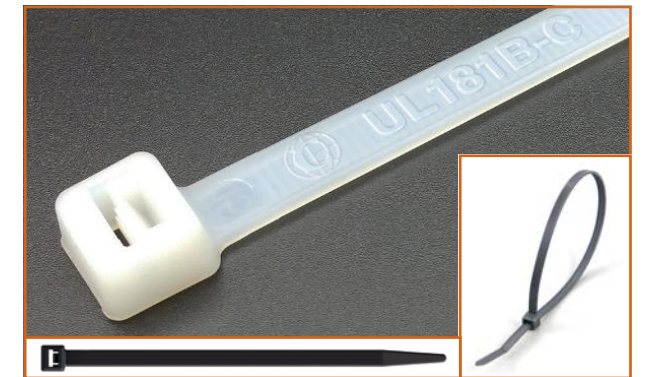
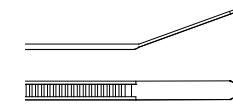
CAMBRIDGE™ CABLE & DUCT TIES



Cambridge™ nylon adjustable ties are great for securing heavy duct take-offs and large cable bundles. Manufactured for durability, easy to install and offer up to 175 lb. tensile strength.

A TRUSTED NAME IN DUCT TIES

- All Cambridge™ cable ties feature a bent tip design for a smooth insertion in hard-to-reach places.
- Rounded tips prevent users from cutting themselves on sharp edges.
- UV black cable and duct ties are specially manufactured to resist the sun's harmful UV rays.
- Minimum Installation Temperature: 5°F (-15°C)
- 175 lb. Duct Ties have been investigated to ANSI/UL 181B
 - UL 2043: "Fire Test for Heat and Visible Smoke Release for Discrete Products and Their Accessories Installed in Air-Handling Spaces."
 - These products have been found to be suitable for use in plenums in accordance with the "International Mechanical Code," "Uniform Mechanical Code," and ANSI/NFPA 90A, "Installation of Air-Conditioning and Ventilating Systems".UL Listed, Std. 248-14, Guide JDYX, File E19180



Cable & Duct Ties UL Listed for Safety



SPECIALTY PRODUCTS

CAMBRIDGE™ CABLE AND DUCT TIES

SHORT-PRO TOOL

TAPE AND MASTAGUM

WIRE NUTS

POWER SUPPLY CORDS

Part Number	Max. Tensile Strength	Length	Color	Case Qty
(100 PACK) CABLE TIES				
CT6-40C0W	40 lb.	6"	UV Black	250
CT8-50C0W	50 lb.	8"	UV Black	100
CT8-50C9	50 lb.	8"	Natural	100
CT11-50C0W	50 lb.	11"	UV Black	50
CT11-50C9	50 lb.	11"	Natural	50
CT14-50C0W	50 lb.	14.5"	UV Black	50
CT17-50C9	50 lb.	17"	Natural	50
(50 PACK) DUCT TIES				
CT24-175K0W	175 lb.	24.5"	UV Black	10
CT24-175K9	175 lb.	24.5"	Natural	10
CT36-175K0W-B	175 lb.	36"	UV Black	10
CT36-175K9-B	175 lb.	36"	Natural	10
CT48-175K0W-B	175 lb.	48"	UV Black	10
CT48-175K9-B	175 lb.	48"	Natural	10

Call to request additional sizes



UNIVERSAL CAPACITOR MOUNT

**NEW
PRODUCT!**

SAFE & SECURE

Global's newest product. Mount any size capacitor in place securely with our newest patented product!

- Made in the USA
- Easy to install
- Comes in a 2 pack
- Interlocks as one if needed
- Made with durable material
- Holds capacitor in place securely
- 2 screws and 2 zip ties included in pack



*Patent Pending

Part Number	Description	Case Qty
UCM	Universal Cap Mount- 2 Pack	50

*Must purchase in full case Qty.

TAPE AND MASTAGUM

RELIABLE, AMERICAN MADE PLUMBING TAPES AND SEALANTS.

Part Number	Description	Case Qty
TAPES		
7500	Cork Tape, 1/8" x 2" x 30'	1
7501	Foam Tape, 18" x 2" x 30'	1
MASTAGUM		
7502	Mastagum Roll, 3/8" x 25'	1
7504	Mastagum Slug, 2 lb.	1



SHORT-PRO TOOL

Automatic reset circuitry used to locate shorts in 24 VAC circuits while protecting controls from damage.

- Saves money - no more burned-out fuses while troubleshooting
- Easy to use - when light is on, the short exists; when light goes off, the short is fixed
- Over 6" leads with alligator clips
- One year warranty
- Made in the USA



Part Number	Description	Case Qty
GSPT	Short Pro Tool 24 VAC Circuit Tester	20

WARNING: Cancer and Reproductive Harm | www.P65Warnings.ca.gov

WWW.GLOBALTHESOURCE.COM | 800.531.5967

WARNING: Cancer and Reproductive Harm | www.P65Warnings.ca.gov

WWW.GLOBALTHESOURCE.COM | 800.531.5967



WIRE NUTS

EASY-TWIST™ STANDARD TYPE

Has a fixed, precise square wire spring provides secure gripping of conductors.



EASY-TWIST™ WINGED TYPE

Deep surface ridges and swept-back wing design provides better grip and increased torquing ability.



- Flame retardant UL 94V-2 thermoplastic shell provides excellent electrical insulation
- Made to fit any pneumatic or electrical tool with a 1/4" chuck or drive socket
- Fixed, precise square wire spring provides secure gripping of conductors
- Compact design ensures proper installation, especially in tight spaces
- Threaded funnel entry guides the wires into the connector easily
- Deep skirt entry provides protection from flashover and shorts
- Zinc-plated springs for low contact resistance
- Pre-twisting of wires is not necessary
- UL 486C Listed wire connector E155027
- Temperature Rating: 105 °C (221 °F)
- Voltage:
 - 600V max.
 - 1,000V max. in fixtures and signs
- Wire Type: For Copper wire only



Part Number	Color	Wire Range	Pack Qty	Case Qty
STANDARD				
WN-1	Grey	22-14 AWG	Carton of 100	77
WN-1J	Grey	22-14 AWG	Jar of 300	50
WN-2	Blue	22-14 AWG	Carton of 100	77
WN-2J	Blue	22-14 AWG	Jar of 300	50
WN-3	Orange	22-14 AWG	Carton of 100	45
WN-3J	Orange	22-14 AWG	Jar of 300	20
WN-3SJ	Orange	22-14 AWG	Jar of 100	50
WN-4	Yellow	22-8 AWG	Carton of 100	45
WN-4J	Yellow	22-10 AWG	Jar of 200	20
WN-4SJ	Yellow	22-8 AWG	Jar of 100	50
WN-6	Red	22-10 AWG	Carton of 100	32
WN-6J	Red	22-10 AWG	Jar of 350	12
WN-6SJ	Red	22-10 AWG	Jar of 100	12
WINGED				
WN-7	Blue	14-6 AWG	Carton of 50	22
WN-7J	Blue	14-6 AWG	Jar of 50	20
WWN-1	Grey	18-8 AWG	Carton of 50	32
WWN-4SJ	Yellow	18-10 AWG	Jar of 100	50
WWN-6SJ	Red	18-8 AWG	Jar of 100	20

Part Number	Color	Type	Wire Range	Pack Qty	Case Qty
COMBINATION PAILS					
WN-5	Orange	Standard	22-14 AWG	65	16
	Yellow	Standard	22-10 AWG	45	
	Red	Standard	22-10 AWG	30	
	Blue	Standard	22-14 AWG	100	
WN-5T	Orange	Standard	22-14 AWG	65	16
	Yellow	Standard	22-10 AWG	45	
	Red	Standard	22-10 AWG	30	
	Tan	Winged	22-8 AWG	40	

POWER SUPPLY CORDS

COPPER RELIABILITY, TIN SAFETY

These copper wire power supply cords are suitable as a replacement power cord for air conditioners, refrigerators, freezers, microwaves and more.

- Exposed wire tips are tin coated
 - Maintains electrical performance by keeping the copper wire from oxidizing
 - Increases safety by reducing cross connections and electrical exposure to installer
- Right angle and straight U-Ground Plug available
- 13 A / 125 V / 1625 W
- 16 Gauge
- 3 Conductor SPT-3 Wire
- ETL Listed (3170291)
- Meets NEMA 5-15P standards



Part Number	Description	Case Qty
8065	6' Pigtail, 125 V, 90° Plug, 16 Gauge	100
8065S	6' Pigtail, 125 V, Straight Plug, 16 Gauge	40

STANDARD COPPER WIRE, STRAIGHT PLUG POWER CORD

- 15 A / 125 V / 1875 W
- 14 Gauge
- UL Listed



Part Number	Description	Case Qty
8066	3' Pigtail, 125V, Straight Plug, 14 Gauge	100