

EC(E) Series

The EC(E) series features extended ODF solder connections, brass body and balanced port design. It is suited for both refrigeration and air conditioning applications.

Applications

- Small Chillers
- Air Conditioning Units
- Freezers
- Walk-in Boxes
- Refrigerated Cases
- Mobile Refrigeration

Features and Benefits

- Extended ODF connections
- Balanced port design
- 60" capillary tube
- Removable power element
- Field adjustable superheat
- 1/4" ODF external equalizer
- Weight: 1.0 lbs / 0.45 kg



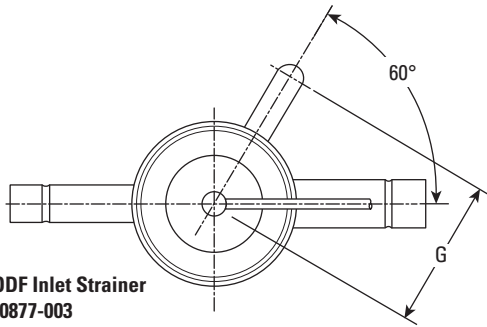
Specifications

Refrigerant	Refrigerant Designation	Orifice Designation	Nominal Capacity (Tons)	Capacity Range of Valve to be Replaced (Tons)	Valve Description		Rainbow Charges™	Connection - (Inches) Bold figures are standard		External Equalizer Connection (Inches)
					Internally Equalized	Externally Equalized		Inlet	Outlet	
R-12 R-134a R-401A R-401B	J	AA	1/4	1/6 to 1/4	EC-AA-J	ECE-AA-J	W X60	1/4 ODF	1/2 ODF	1/4 ODF
		A	1	1/2 to 1	EC-A-J	ECE-A-J		3/8 ODF	1/2 ODF	
		B	2	1 to 2	EC-B-J	ECE-B-J		3/8 ODF 1/2 ODF	1/2 ODF 5/8 ODF	
		C	3	2 to 3	EC-C-J	ECE-C-J		3/8 ODF 1/2 ODF 5/8 ODF	1/2 ODF 5/8 ODF 7/8 ODF	
		D	5	3 to 5	N/A	ECE-D-J		1/2 ODF 5/8 ODF	7/8 ODF	
R-402A R-402B R-404A R-502 R-507	S	AA	1/4	1/6 to 1/4	EC-AA-S	ECE-AA-S	W Z X110 X35	1/4 ODF	1/2 ODF	1/4 ODF
		A	1	1/2 to 1	EC-A-S	ECE-A-S		3/8 ODF	1/2 ODF	
		B	2	1 to 2	EC-B-S	ECE-B-S		3/8 ODF 1/2 ODF	1/2 ODF 5/8 ODF	
		C	3-1/2	2 to 3-1/2	EC-C-S	ECE-C-S		3/8 ODF 1/2 ODF 5/8 ODF	1/2 ODF 5/8 ODF 7/8 ODF	
		D	6	3-1/2 to 6	N/A	ECE-D-S		1/2 ODF 5/8 ODF	7/8 ODF	
R-22 R-407C R-422D	V	AA	1/2	1/3 to 1/2	EC-AA-V	ECE-AA-V	W Z X100 X35	1/4 ODF	1/2 ODF	1/4 ODF
		A	1-1/2	3/4 to 1-1/2	EC-A-V	ECE-A-V		3/8 ODF	1/2 ODF	
		B	3	1-1/2 to 3	EC-B-V	ECE-B-V		3/8 ODF 1/2 ODF	1/2 ODF 5/8 ODF	
		C	5	3 to 5	EC-C-V	ECE-C-V		3/8 ODF 1/2 ODF 5/8 ODF	1/2 ODF 5/8 ODF 7/8 ODF	
		D	8	5 to 8	N/A	ECE-D-V		1/2 ODF 5/8 ODF	7/8 ODF	
R-410A	Z	AA	1/2	1/3 to 1/2	EC-AA-Z	ECE-AA-Z	X200	1/4 ODF	1/2 ODF	1/4 ODF
		A	1-1/2	3/4 to 1-1/2	EC-A-Z	ECE-A-Z		3/8 ODF	1/2 ODF	
		B	3	1-1/2 to 3	EC-B-Z	ECE-B-Z		3/8 ODF 1/2 ODF	1/2 ODF 5/8 ODF	
		C	5	3 to 5	EC-C-Z	ECE-C-Z		3/8 ODF 1/2 ODF 5/8 ODF	1/2 ODF 5/8 ODF 7/8 ODF	
		D	8	5 to 8	N/A	ECE-D-Z		1/2 ODF 5/8 ODF	7/8 ODF	
		N/A	12-1/2	8 to 12-1/2	N/A	ECE-12-1/2-Z		5/8 ODF	7/8 ODF	
		N/A	15	12-1/2 to 15	N/A	ECE-15-Z		5/8 ODF	7/8 ODF 1-1/8 ODF	

EC(E) Series

Dimensions

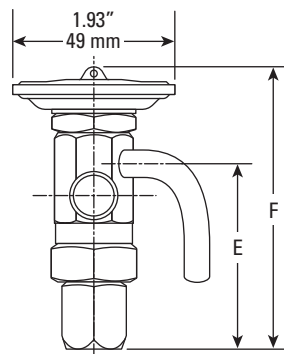
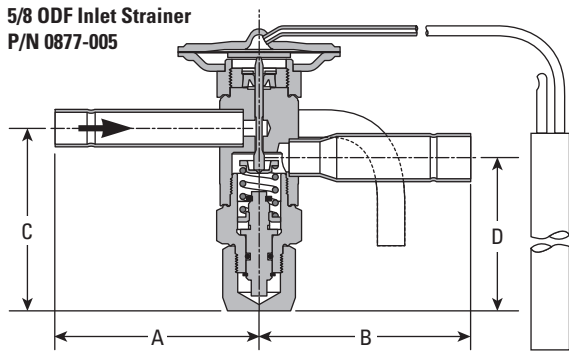
ECE-AA, -A, -B, -C, -D



3/8 ODF Inlet Strainer
P/N 0877-003

1/2 ODF Inlet Strainer
P/N 0877-004

5/8 ODF Inlet Strainer
P/N 0877-005

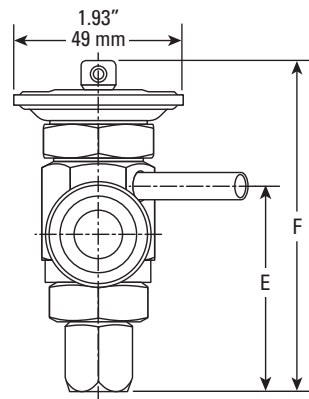
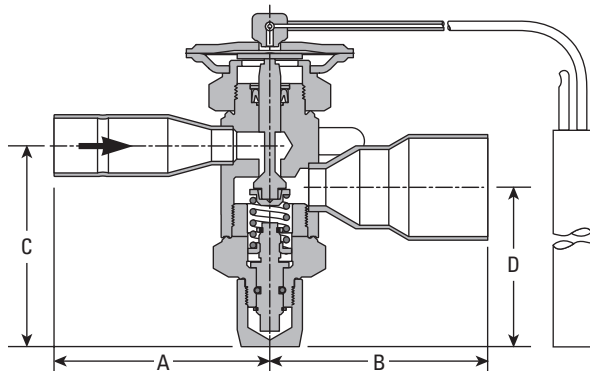
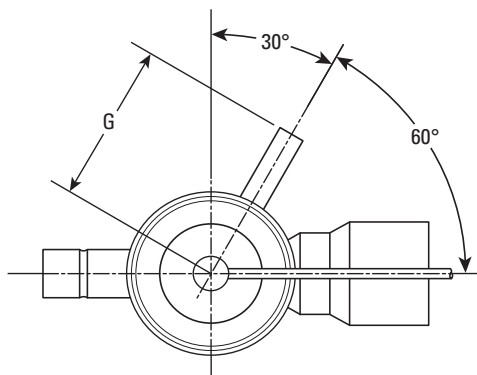


Fitting Size	A	B	C	D	E	F	G
1/4	2.69" 68 mm	—	2.17" 55 mm	—	2.20" 56 mm	3.36" 63 mm	1.71" 63 mm
3/8	2.42" 61 mm	—	2.17" 55 mm	—	—	3.36" 63 mm	—
1/2	2.35" 60 mm	2.51" 64 mm	2.17" 55 mm	1.83" 46 mm	—	3.36" 63 mm	—
5/8	2.35" 60 mm	2.51" 64 mm	2.17" 55 mm	1.83" 46 mm	—	3.36" 63 mm	—
7/8	—	2.51" 64 mm	—	1.83" 46 mm	—	3.36" 63 mm	—

Replacement Elements

Refrigerant Designation	Element
V	KT-46-VW KT-46-VX100
J	KT-46-JW
S	KT-46-SZ KT-46-SW KT-46-SX35
Z	KT-46-ZX200

ECE-12-1/2-Z and ECE-15-Z Only



Fitting Size	A	B	C	D	E	F	G
1/4	—	—	—	—	2.36" 60 mm	3.79" 96 mm	1.90" 48 mm
5/8	2.48" 63 mm	—	2.30" 58 mm	—	—	3.79" 96 mm	—
7/8	—	2.51" 64 mm	—	1.83" 46 mm	—	3.79" 96 mm	—
1-1/8	—	2.51" 64 mm	—	1.83" 46 mm	—	3.79" 96 mm	—

Replacement Elements

Refrigerant Designation	Element
Z	KT-46-5-ZX200*

* For ECE-12-1/2-Z and ECE-15-Z only.