

# EBSE Series

The EBSE series valve is a brass bar body valve and features a balanced port construction and extended ODF connections. The thermostatic element is replaceable. The balanced port construction makes this valve ideally suited for air conditioning and commercial refrigeration applications which operate over widely varying conditions.

## Applications

- Air Conditioning
- Commercial Refrigeration

## Features and Benefits

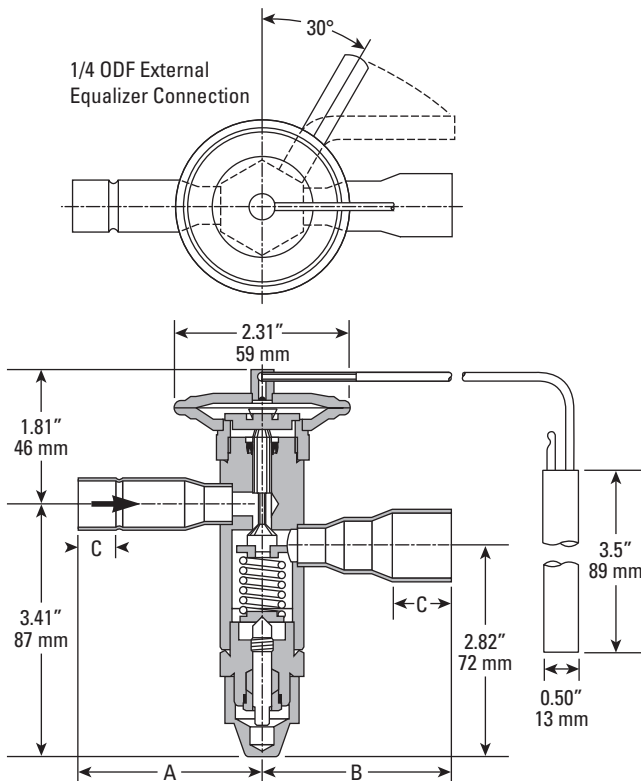
- Balanced port design
- Removable power element
- Field adjustable superheat
- 1/4" sweat external equalizer



## Specifications

Refrigerant	Refrigerant Designation	Nominal Capacity (Tons)	Valve Description	Rainbow Charges™	Standard Tubing Length Feet (m)	Connection - (Inches)		External Equalizer Connection (Inches)
						Inlet	Outlet	
R-12	J	5	EBSE-5-J	W	5 (1.5)	5/8 ODF	7/8 ODF	1/4 ODF
R-134a		7	EBSE-7-J			7/8 ODF	1-1/8 ODF	
R-401A		9	EBSE-9-J				1-3/8 ODF	
R-401B		12	EBSE-12-J					
R-402A	S	6	EBSE-6-S	W Z X35	5 (1.5)	5/8 ODF	7/8 ODF	1/4 ODF
R-402B		7-1/2	EBSE-7-1/2-S			7/8 ODF	1-1/8 ODF	
R-404A		10	EBSE-10-S				1-3/8 ODF	
R-502		13	EBSE-13-S					
R-507								
R-22	V	8	EBSE-8-V	W X100	5 (1.5)	5/8 ODF	7/8 ODF	1/4 ODF
R-407C		11	EBSE-11-V			7/8 ODF	1-1/8 ODF	
R-422D		15	EBSE-15-V				1-3/8 ODF	
		20	EBSE-20-V					

## Dimensions



Fitting Size	A	B	C
5/8	2.46" / 62 mm	—	.50" / 13 mm
7/8	2.46" / 62 mm	2.53" / 64 mm	.75" / 19 mm
1-1/8	—	2.53" / 64 mm	.81" / 21 mm
1-3/8	—	3.04" / 77 mm	.97" / 25 mm

## Replacement Elements

Refrigerant Designation	Element
V	KT-83-VW KT-83-VX100
J	KT-83-JW
S	KT-83-SW KT-83-SZ KT-83-SX35