



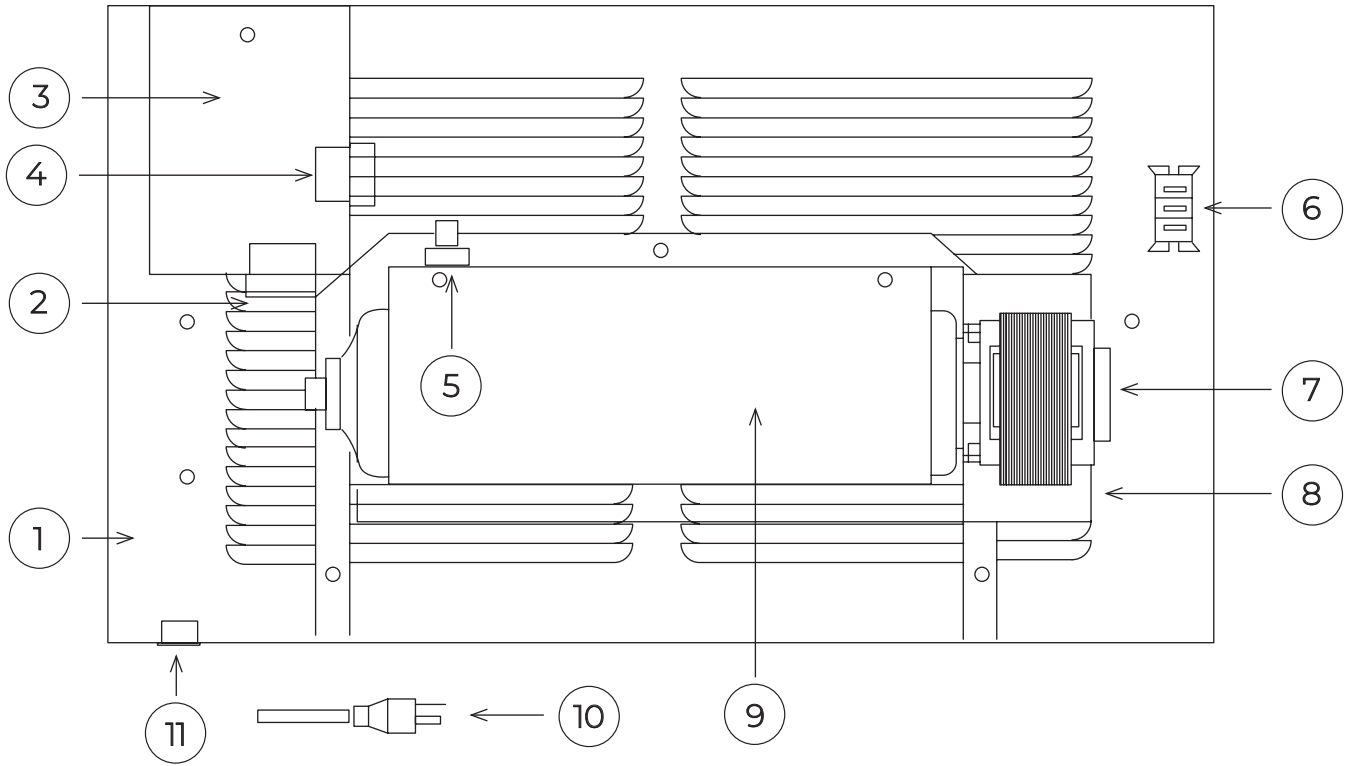
2023 EXPLODED VIEWS

CONTENTS

AC2030T TOP VENT GAS WALL HEATER	P323738_D	2-4
MONTEREY TOP VENT GAS WALL FURNACE	P322087_D	5-14
MONTEREY PLUS + TOP VENT GAS WALL FURNACE	P322086_F	15-24
ELECTRIC FORSAIRE COUNTERFLOW WALL HEATER	P321008_C	25-26
FORSAIRE COUNTERFLOW TOP VENT WALL HEATER	P322102_C	27-34
HI-EFFICIENT DIRECT VENT WALL FURNACE	1773512	35-36
DIRECT VENT GRAVITY WALL FURNACE	P322101_D	37-44
VENTED ROOM HEATERS	P500556_B	45-51
FLOOR FURNACE	P322103	51-52

MOTORIZED REAR OUTLET REPLACEMENT PARTS

Motorized Rear Outlet – Model 6920



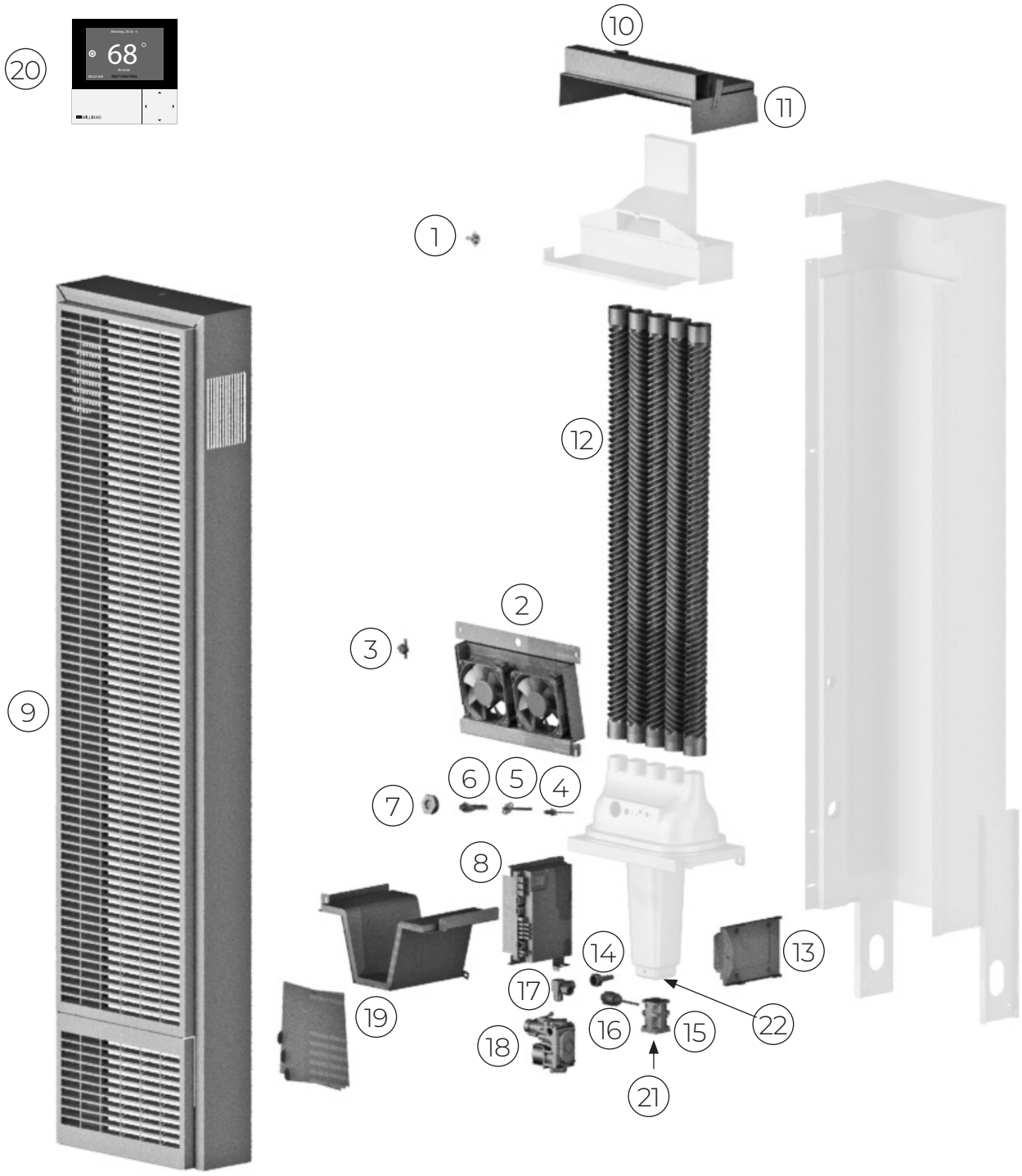
Motorized Rear Outlet Replacement Parts List – Model 6920

Reference Number	Description	Part Number
		6920
1	Register Assembly	9B285
2	Strain Relief Bushing	P500185
3	J-Box Cover	9A427
4	Strain Relief Brushing	P603108
5	Heat Sensor Switch	P323172
6	Fan Switch	P323080
7	Motor and Blower	P323423
8	Motor Cover	9A462
9	Motor Housing Back Plate	9B284
10	Cord and Plug	P323081
11	Bushing	P323084

Use only manufacturer's authorized parts.

NOTE: Nuts, bolts, screws, and washers are standard hardware items and may be purchased locally.

FURNACE EXPLODED VIEW



FURNACE REPLACEMENT PARTS

DRAWING REF NO.	PART NUMBER AC2030TN	DESCRIPTION
1	P323834	VENT LIMIT SWITCH
2	M116840	CIRCULATION FAN ASSEMBLY
3	P323828	HIGH LIMIT SWITCH
4	M117837	FLAME SENSOR
5	M117836	THERMOCOUPLE PROBE
6	M117838	HOT SURFACE IGNITER
7*	M117255	SIGHT WINDOW
8	M117149	CONTROL MODULE ASSEMBLY
9	4916	FRONT PANEL
10	M117435	VENT PRESENCE SWITCH
11	M117283	HEADER ASSEMBLY
12	M117285/M117287	HEAT EXCHANGER TUBE ASSEMBLY
13	M117148	IGNITION MODULE ASSEMBLY
14**	P323777	ORIFICE
15	P323732	COMBUSTION FAN
16**	P323806	PRESSURE SENSOR
17**	P323790	MANIFOLD ASSEMBLY
18**	P323822	STEPPER GAS VALVE
19	M117500	LABEL ASSEMBLY
20	P323744	THERMOSTAT
21	P323768	COMBUSTION FAN FILTER
22	M117535	COMBUSTION FAN GASKET
NOT SHOWN	M116874	KIT INSTL (INCLUDES TSTAT)

* Apply DEACON 8875-THIN high temperature thread sealant (P323827) while installing 7

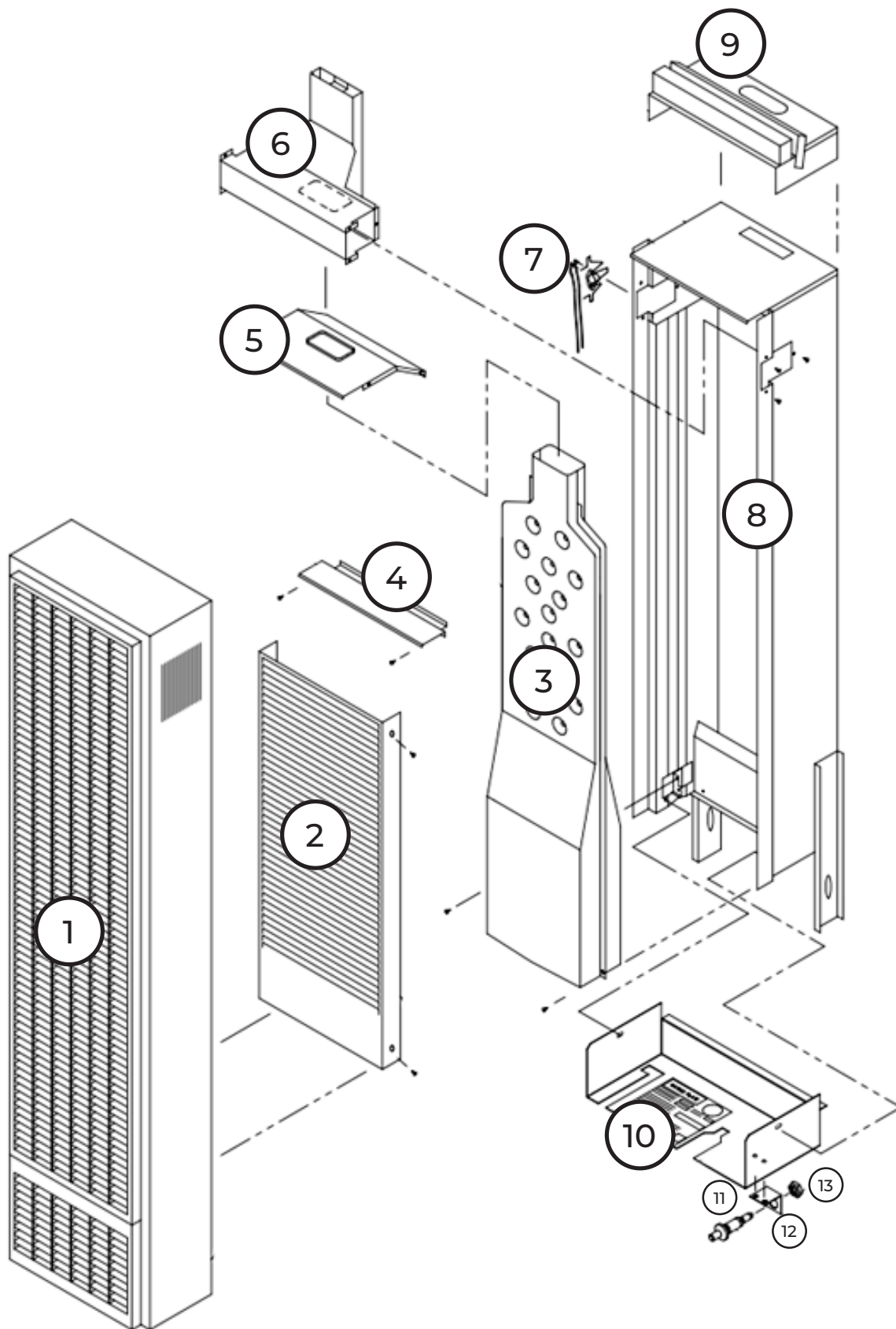
** Apply regular thread sealant (or P141101) while installing 14, 16, 17, 18

PART NUMBERS FOR THE 250 / 350 MODELS

SINGLE SIDED 1 IN. SIDE CLEARANCE			
NATURAL			
2509622A	25H9622A	3509622A	35H9622A
PROPANE			
2509621A		3509621A	

REF. NO.	REPLACEMENT PART DESCRIPTION	2509622A 2509621A	25H9622A	3509622A 3509621A	35H9622A
1	Face Panel	4916	4916	4916	4916
2	Front Heat Shield	9C216	9C216	9C216	9C216
3	Combustion Chamber	6922	6922	6923	6923
4	Front Shield Deflector	9B199	9B199	9B199	9B199
5	Inner Shield Top	9C152	9C152	9C152	9C152
6	Draft Hood Assembly	9C184	9C184	9C217	9C217
7	Vent Limit Switch	P321826	P321826	P322055	P322055
8	Shield Assembly	9C213	9C213	9C213	9C213
9	Header	5902	5902	5902	5902
10	Burner Pan	9B296	9B296	9B296	9B296
11	Manual Spark Igniter	P285500	P285500	P285500	P285500
12	Igniter Bracket	7A189	7A189	7A189	7A189
13	Pal Nut	P285501	P285501	P285501	P285501
NOT SHOWN	Header - Insulation	M117279	M117279	M117279	M117279
NOT SHOWN	Parts Bag	9A324	9A325	9A324	9A327
NOT SHOWN	Knob	P332606	P332606	P332606	P332606
NOT SHOWN	Vent Limit Switch Bracket	P322074	P322074	P322074	P322074

EXPLODED VIEW & REPLACEMENT PARTS CHART

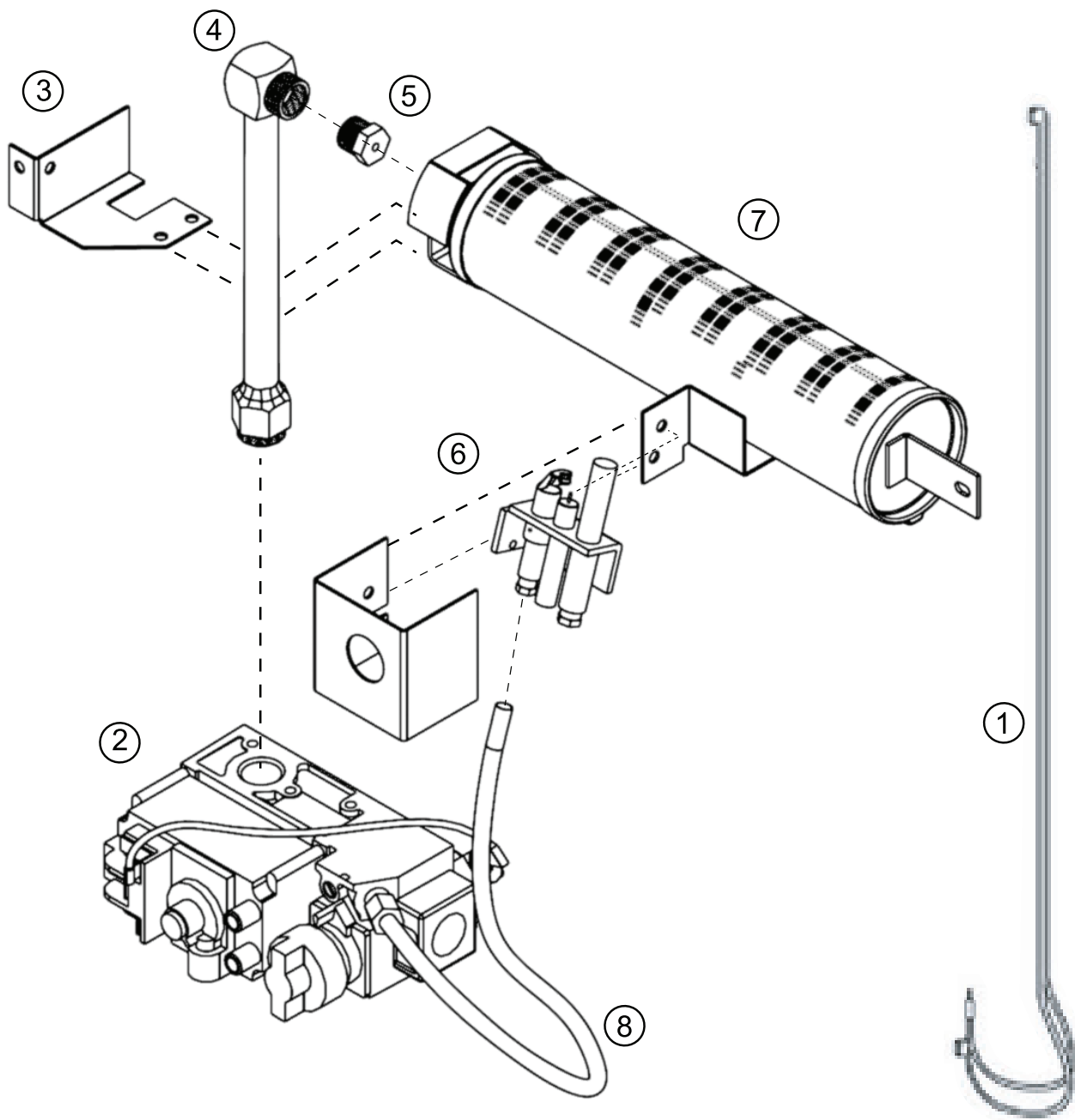


CONTROL ASSEMBLY REPLACEMENT PARTS 250 / 350 MODELS

MODEL NUMBERS					
2509622A	25H9622A	3509622A	35H9622A	2509621A	3509621A

REF. NO.	REPLACEMENT PART DESCRIPTION	2509622A 25H9622A	3509622A 35H9622A	2509621A	3509621A
1	Wire Assembly (Both Required)	P321836/A	P321836/A	P321836/A	P321836/A
2	Valve	P323011	P323011	P322660	P322660
3	Front Burner Bracket	9B234	9B234	9B234	9B234
4	Manifold	P323660	P323660	P323660	P323660
5	Burner Orifice (2 Required for 500 Series)	P090543	P090536	P332624	P332635
6	Pilot Kt (Pilot, Thermopile, Electrode, Pilot Cover)	M118823	M118823	M118824	M118824
7	Burner (2 Required for 500 Series)	P323648	P323648	P323648	P323648
8	Pilot Tube	P012004	P012004	P012004	P012004

EXPLODED VIEW & REPLACEMENT PARTS CHART

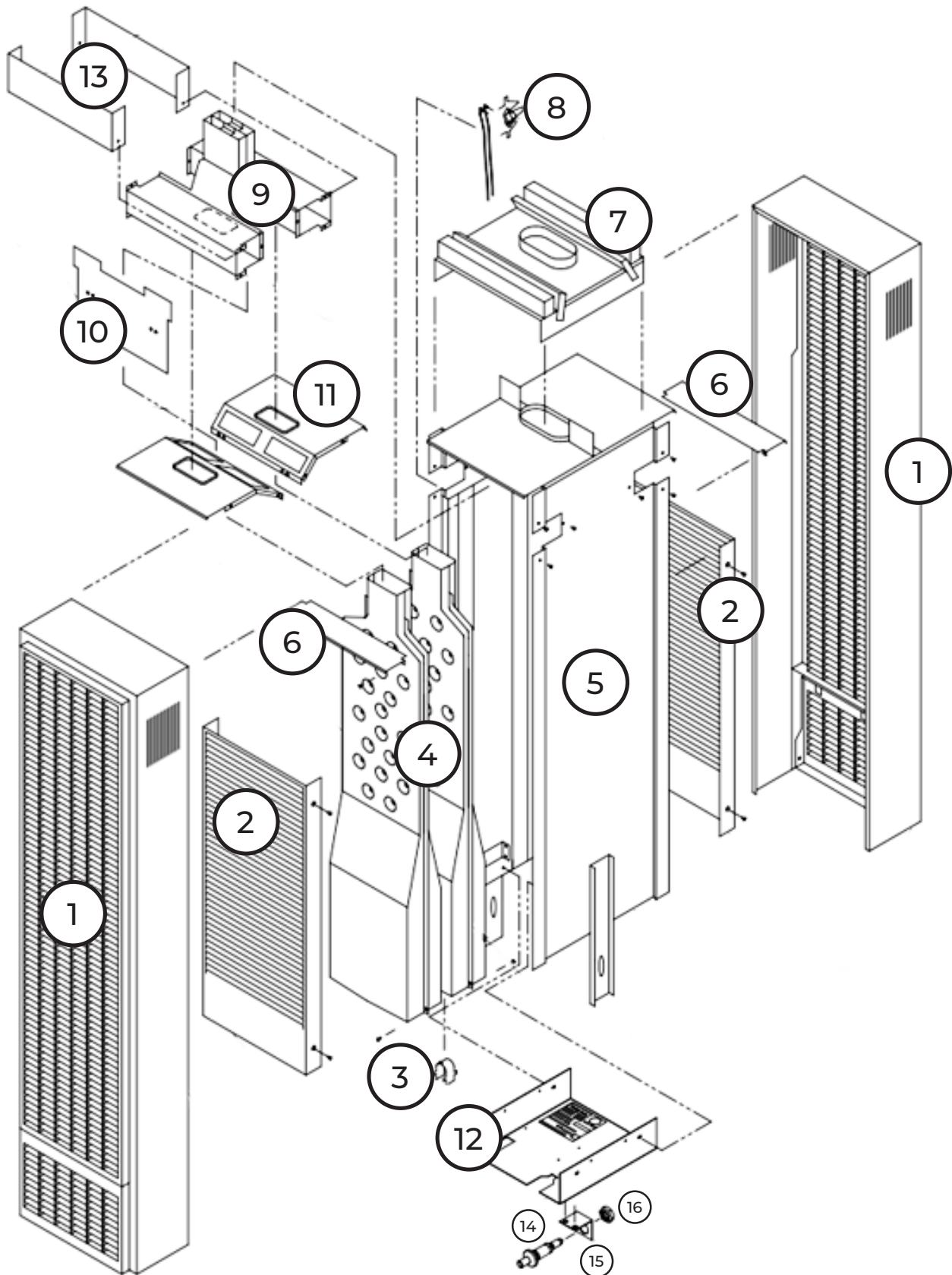


PART NUMBERS FOR THE 500 MODELS

DOUBLE SIDED 4 IN. SIDE CLEARANCE	
NATURAL	
5009622A	50H9622A
PROPANE	
5009621A	

REF. NO.	REPLACEMENT PART DESCRIPTION	5009622A	50H9622A	5009621A
1	Face Panel (2 Required)	4916	4916	4916
2	Front Heat Shield (2 Required)	9C216	9C216	9C216
3	Carryover Shell	9A321-1	9A321-1	9A321-1
4	Combustion Chamber (2 Required)	9D97/9D98	9D97/9D98	9D97/9D98
5	Shield Assembly	9C218	9C218	9C218
6	Deflector (2 Required)	9B199	9B199	9B199
7	Header	5901	5901	5901
8	Vent Limit Switch	P321826	P321826	P321826
9	Draft Hood (2 Required)	9C170	9C170	9C170
10	Non-Vision Shield	9C157	9C157	9C157
11	Inner Shield Top (2 Required)	9C158	9C158	9C158
12	Burner Pan Assembly	9B251	9B251	9B251
13	Blower Heat Deflector	9A440	9A440	9A440
14	Manual Spark Igniter	P285500	P285500	P285500
15	Igniter Bracket	7A189	7A189	7A189
16	Pal Nut	P285501	P285501	P285501
NOT SHOWN	Header – Insulation	P310000	P310000	P310000
NOT SHOWN	Parts Bag	9A323	9A329	9A323
NOT SHOWN	Knob	P332606	P332606	P332606
NOT SHOWN	Vent Limit Switch Bracket	P322074	P322074	P322074
Thermostat not included with these models.				

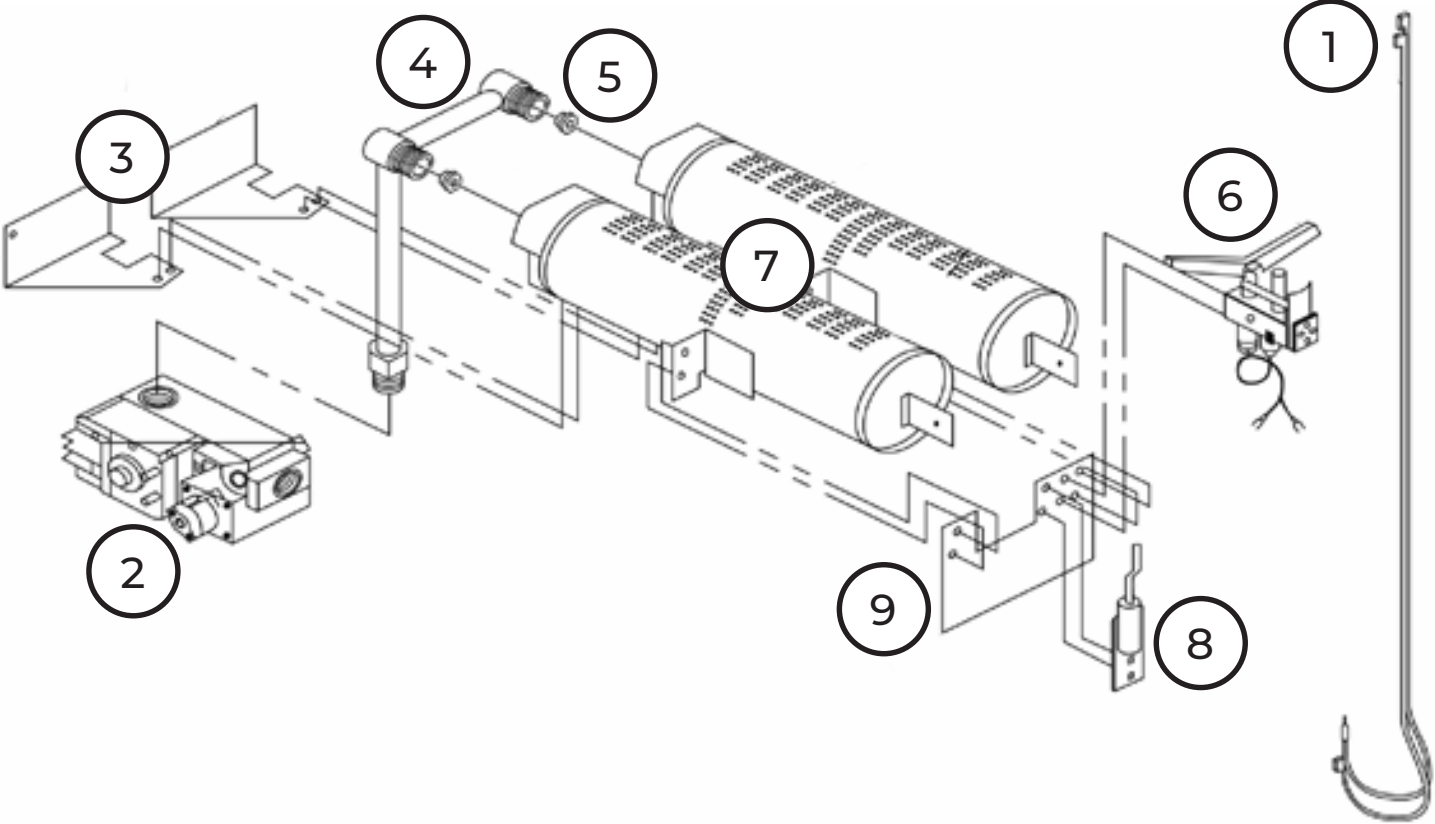
EXPLODED VIEW & REPLACEMENT PARTS CHART



CONTROL ASSEMBLY REPLACEMENT PARTS 500 MODELS

MODEL NUMBERS		
5009622A	50H9622A	5009621A

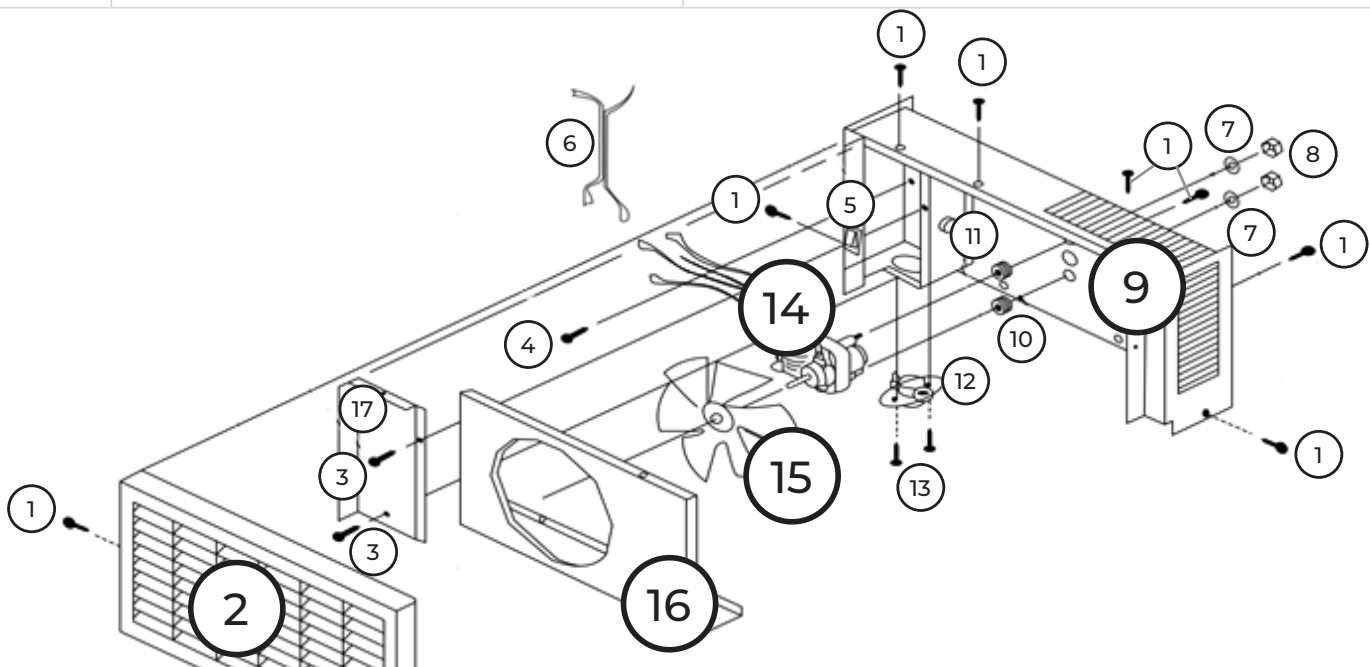
REF. NO.	REPLACEMENT PART DESCRIPTION	5009622A 50H9622A	5009621A
1	Wire Assembly (Both Required)	P321836/A	P321836/A
2	Valve	P323011	P322660
3	Front Burner Bracket	9B243	9B243
4	Manifold	P323661	P323661
5	Burner Orifice (2 Required for 500 Series)	P332625	P332623
6	Pilot/Generator Assembly	P322396	P322397
7	Burner (2 Required for 500 Series)	P323648	P323648
8	Electrode	P322155	P322155
9	Pilot Mounting Plate	9A409	9A409



BLOWER ACCESSORY MODEL 2901 PARTS

MODEL NUMBER	
2901	

REF. NO.	REPLACEMENT PART DESCRIPTION	PART NUMBER
1	Screw - #8Ax 3/8 (9)	P013200
2	Blower Grille	9C99
3	Screw - #8Ax 3/8 (8)	P093200
4	Screw - #10 x 1/2	P141000
5	Rocker Switch	P320911A
6	Wire Bridle	P320912
7	Flat Washer - #10-31 (2)	P127300
8	Machine Nut - #8-32 w/Washer (2)	P041100
9	Blower Body	9C102
10	Motor Mount Grommet (2)	P321078
11	Strain Relief Bushing	P012900
12	Temperature Limit Switch	P323097
13	Screw - #8-18 x 1/2"	P138200
14	Motor	P323922
15	Fan Blade	9B99
16	Orifice Plate	9D12-1
17	Junction Box Cover	9B161



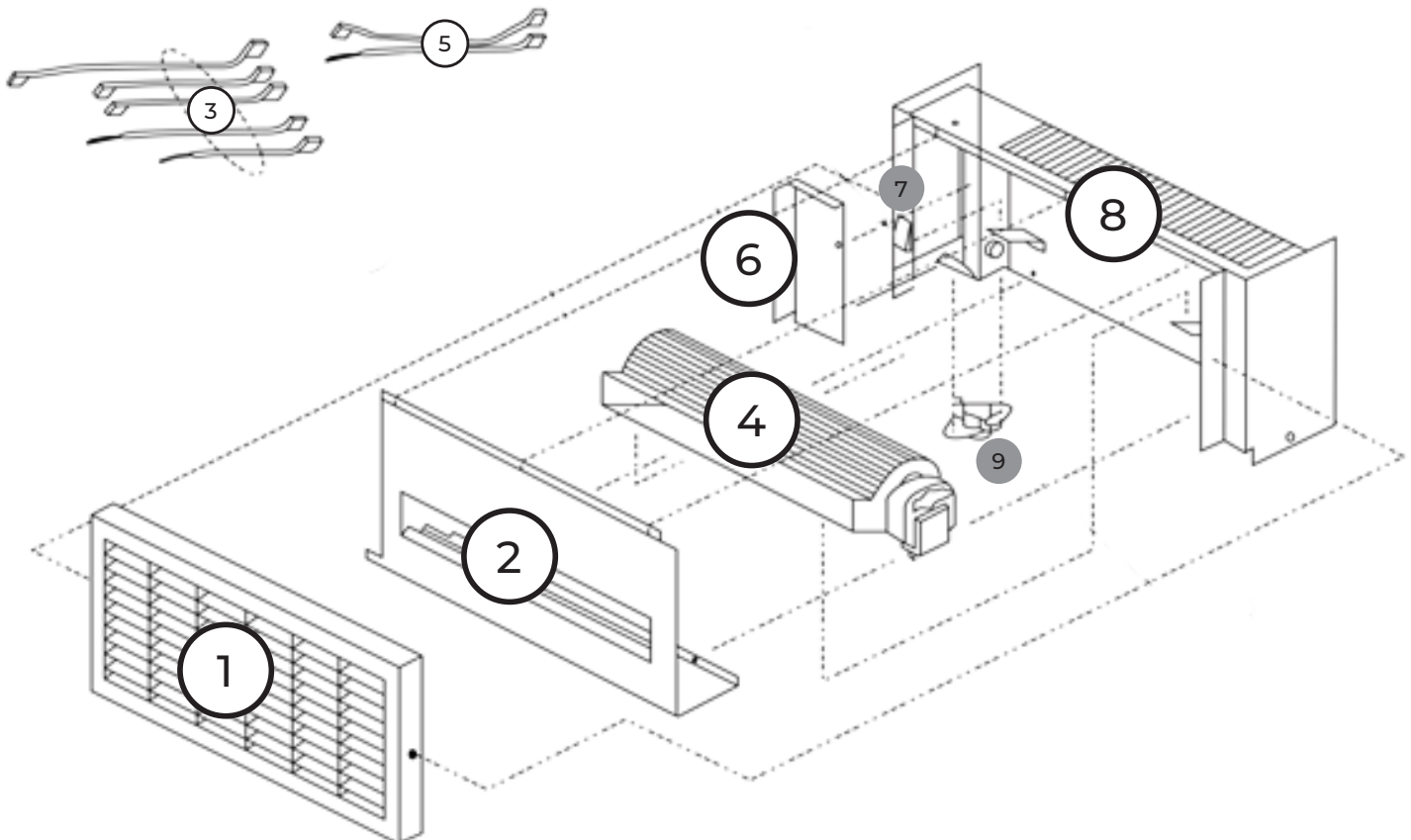
BLOWER ACCESSORY MODEL 2907 PARTS

MODEL NUMBER	
2907	

REF. NO.	REPLACEMENT PART DESCRIPTION	PART NUMBER
1	Blower Grille	9C99
2	Orifice Plate	9B246
3	Wire Assemblies	P323085 / P323086 / P323377
4	Blower and Motor	P323423
5	Heat Sensor Wire Assemblies	P274202 / P109600
6	Junction Box Cover	9A483
7	Rocker Switch	P323080
8	Blower Body	9B249
9	Temperature Limit Switch	P323097

Use only manufacturer's authorized parts.

NOTE: Nuts, bolts, screws, and washers are standard hardware items and may be purchased locally.



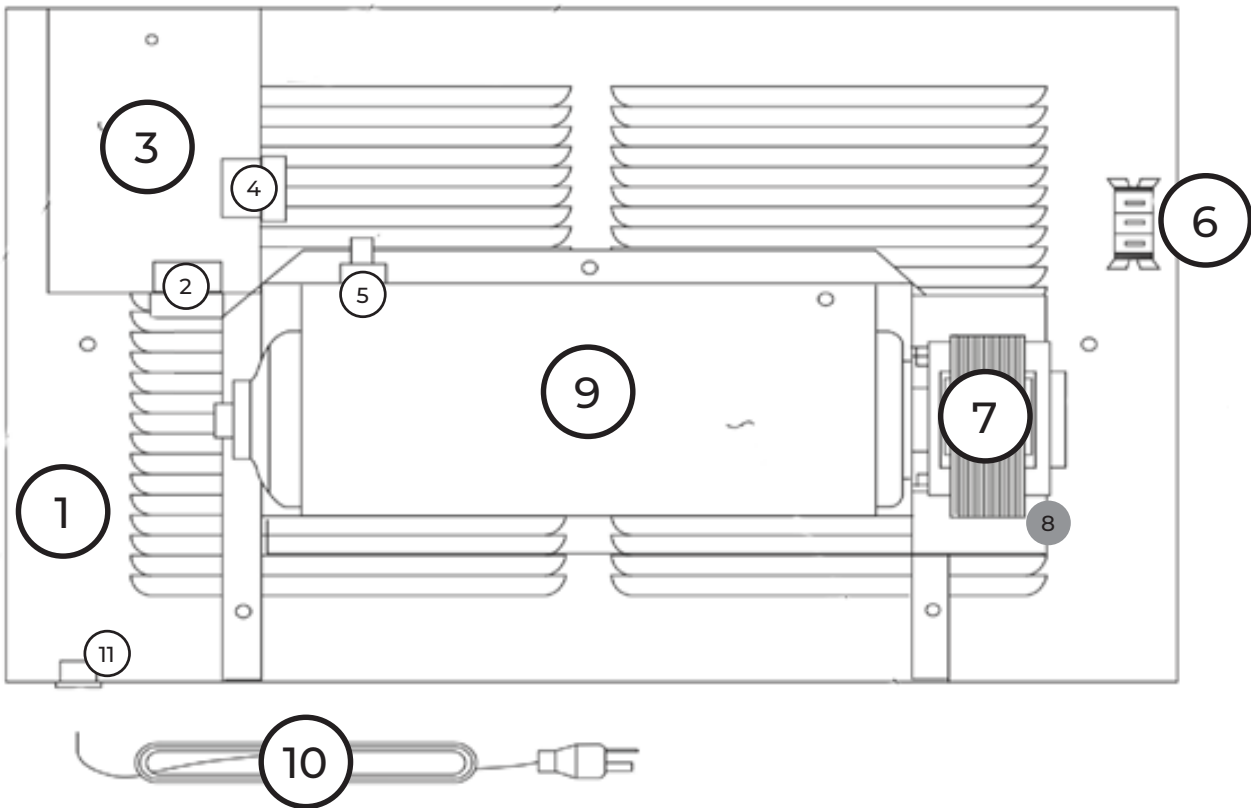
MOTORIZED REAR OUTLET REPLACEMENT PARTS

MODEL NUMBERS	
6919	6920

REF. NO.	REPLACEMENT PART DESCRIPTION	6919	6920
1	Register Assembly	9B269	9B285
2	Strain Relief Bushing	P500158	P500158
3	J-Box Cover	9A427	9A427
4	Strain Relief Bushing	P603108	P603108
5	Heat Sensor Switch	P323172	P323172
6	Fan Switch	P323080	P323080
7	Motor and Blower	P323423	P323423
8	Motor cover	9A435	9A462
9	Motor Housing Back Plate	9B266	9B284
10	Cord and Plug	P323081	P323081
11	Bushing	P323084	P323084

Use only manufacturer's authorized parts.

NOTE: Nuts, bolts, screws, and washers are standard hardware items and may be purchased locally.



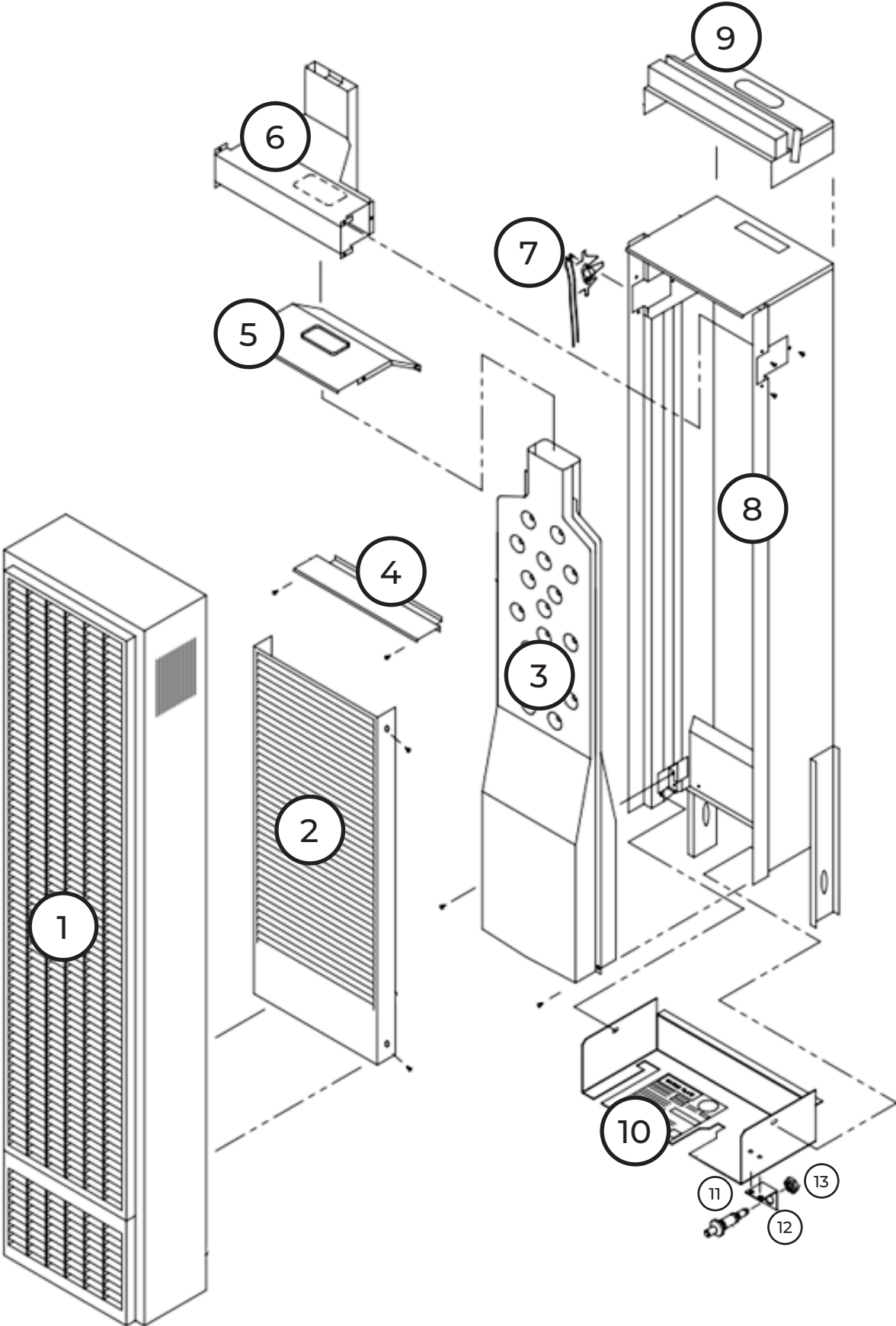
PART NUMBERS FOR THE 250 / 350 MODELS

SINGLE SIDED 1 IN. SIDE CLEARANCE	
NATURAL	
2509822	3509822
PROPANE	
2508921	3509821

REF. NO.	REPLACEMENT PART DESCRIPTION	2509822	3509822	2508921	3509821
1	Face Panel	4916	4916	4916	4916
2	Front Heat Shield	9C216	9C216	9C216	9C216
3	Combustion Chamber	6922	6923	6922	6923
4	Front Shield Deflector	9B199	9B199	9B199	9B199
5	Inner Shield Top	9C152	9C152	9C152	9C152
6	Draft Hood Assembly	9C184	9C217	9C184	9C217
7	Vent Limit Switch	P321826	P322055	P321826	P322055
8	Shield Assembly	9C213	9C213	9C213	9C213
9	Header	5902	5902	5902	5902
10	Burner Pan	9B296	9B296	9B296	9B296
11	Manual Spark Igniter	P285500	P285500	P285500	P285500
12	Igniter Bracket	7A189	7A189	7A189	7A189
13	Pal Nut	P285501	P285501	P285501	P285501
NOT SHOWN	Header - Insulation	P310000	P310000	P310000	P310000
NOT SHOWN	Parts Bag	9A288-1	9A228-1	9A288-1	9A228-1
NOT SHOWN	Knob	P332606	P332606	P332606	P332606
NOT SHOWN	Vent Limit Switch Bracket	P322074	P322074	P322074	P322074

Thermostat not included with these models.

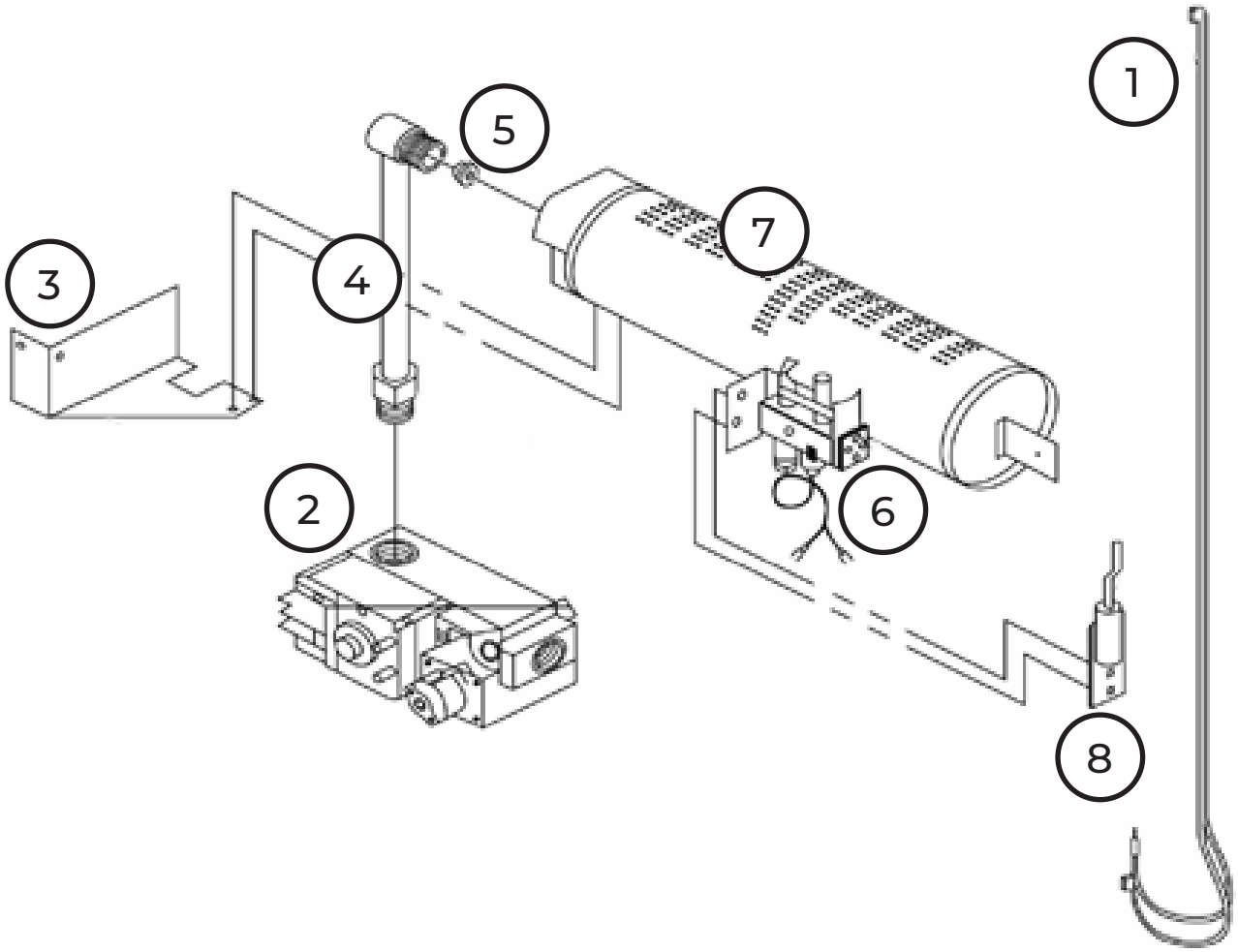
EXPLODED VIEW & REPLACEMENT PARTS CHART



CONTROL ASSEMBLY REPLACEMENT PARTS 250 / 350 MODELS

MODEL NUMBERS			
2509822	3509822	2509821	3509821

REF. NO.	REPLACEMENT PART DESCRIPTION	2509822	3509822	2509821	3509821
1	Wire Assembly (Both Required)	P321836/A	P321836/A	P321836/A	P321836/A
2	Valve	P323011	P323011	P322660	P322660
3	Front Burner Bracket	9B234	9B234	9B234	9B234
4	Manifold	P323660	P323660	P323660	P323660
5	Burner Orifice	P332618	P332636	P332618	P332635
6	Pilot/Generator Assembly	P323074/ P043800	P323074/ P043800	P323074/ P043800	P323073/ P043800
7	Burner	P323648	P323648	P323648	P323648
8	Electrode	-	-	-	-
9	Pilot Mounting Plate	-	-	-	-

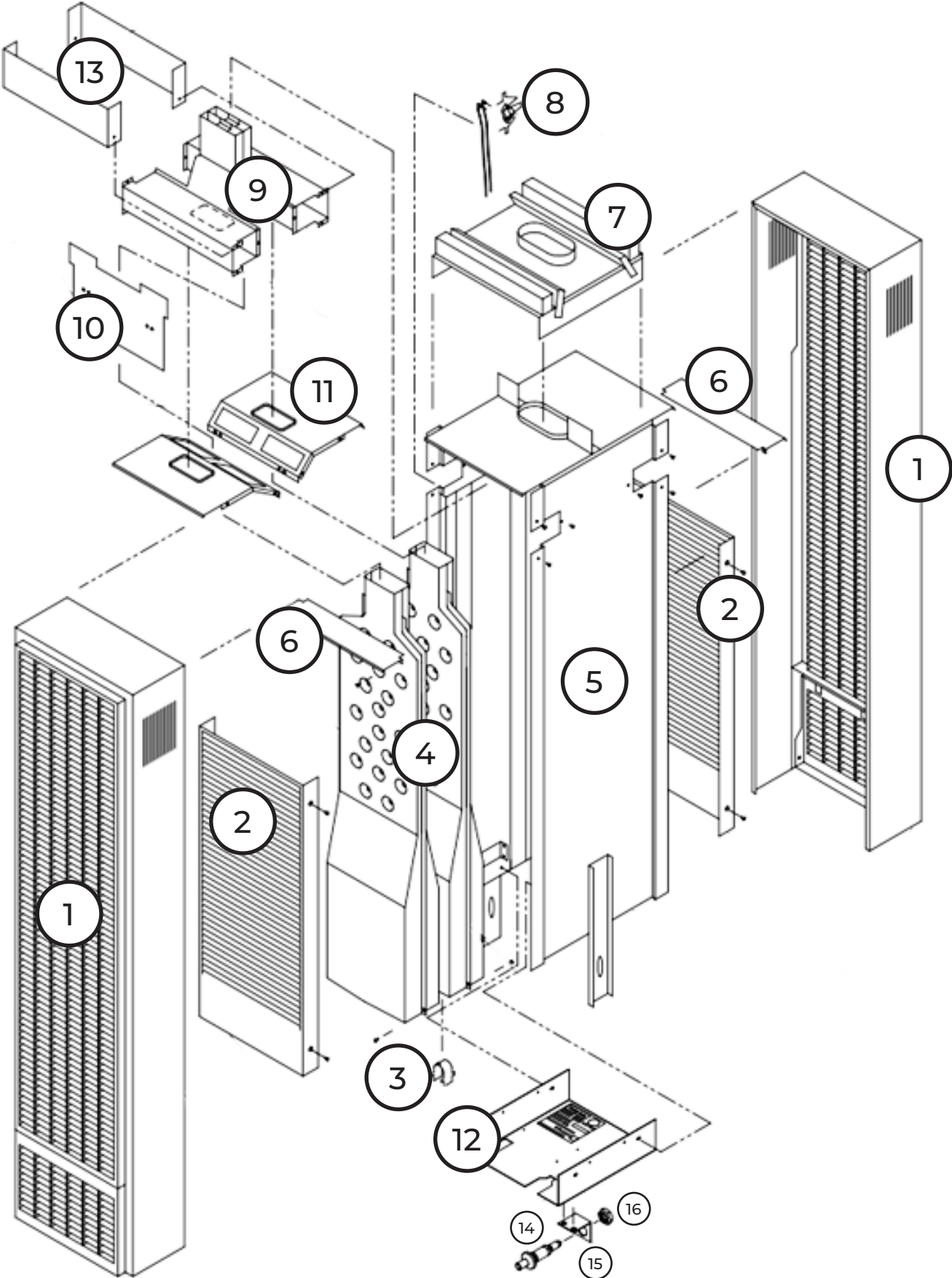


PART NUMBERS FOR THE 500 MODELS

DOUBLE SIDED SIDED 4 IN. SIDE CLEARANCE	
NATURAL	
5009822	
PROPANE	
5009821	

REF. NO.	REPLACEMENT PART DESCRIPTION	5009822	5009821
1	Face Panel (2 Required)	4916	4916
2	Front Heat Shield (2 Required)	9C216	9C216
3	Carryover Shell	9A321-1	9A321-1
4	Combustion Chamber (2 Required)	9D97/9D98	9D97/9D98
5	Shield Assembly	9C218	9C218
6	Deflector (2 Required)	9B199	9B199
7	Header	5901	5901
8	Vent Limit Switch	P321826	P321826
9	Draft Hood (2 Required)	9C170	9C170
10	Non-Vision Shield	9C157	9C157
11	Inner Shield Top (2 Required)	9C158	9C158
12	Burner Pan Assembly	9B251	9B251
13	Blower Heat Deflector	9A440	9A440
14	Manual Spark Igniter	P285500	P285500
15	Igniter Bracket	7A189	7A189
16	Pal Nut	P285501	P285501
NOT SHOWN	Header – Insulation	P310000	P310000
NOT SHOWN	Parts Bag	9A322	9A322
NOT SHOWN	Knob	P332606	P332606
NOT SHOWN	Vent Limit Switch Bracket	P322074	P322074
Thermostat not included with these models.			

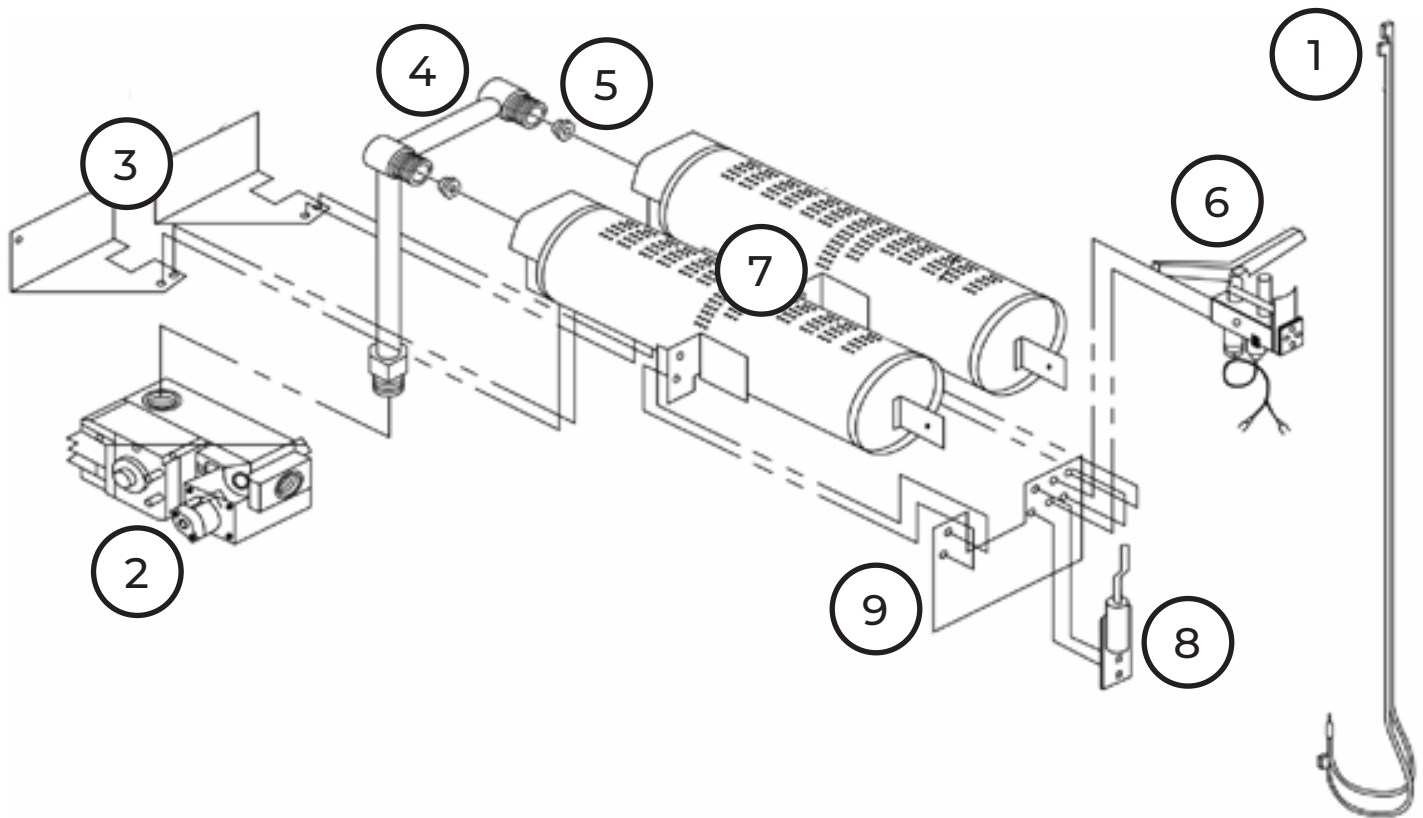
EXPLODED VIEW & REPLACEMENT PARTS CHART



CONTROL ASSEMBLY REPLACEMENT PARTS 500 MODELS

MODEL NUMBERS	
5009821	5009822

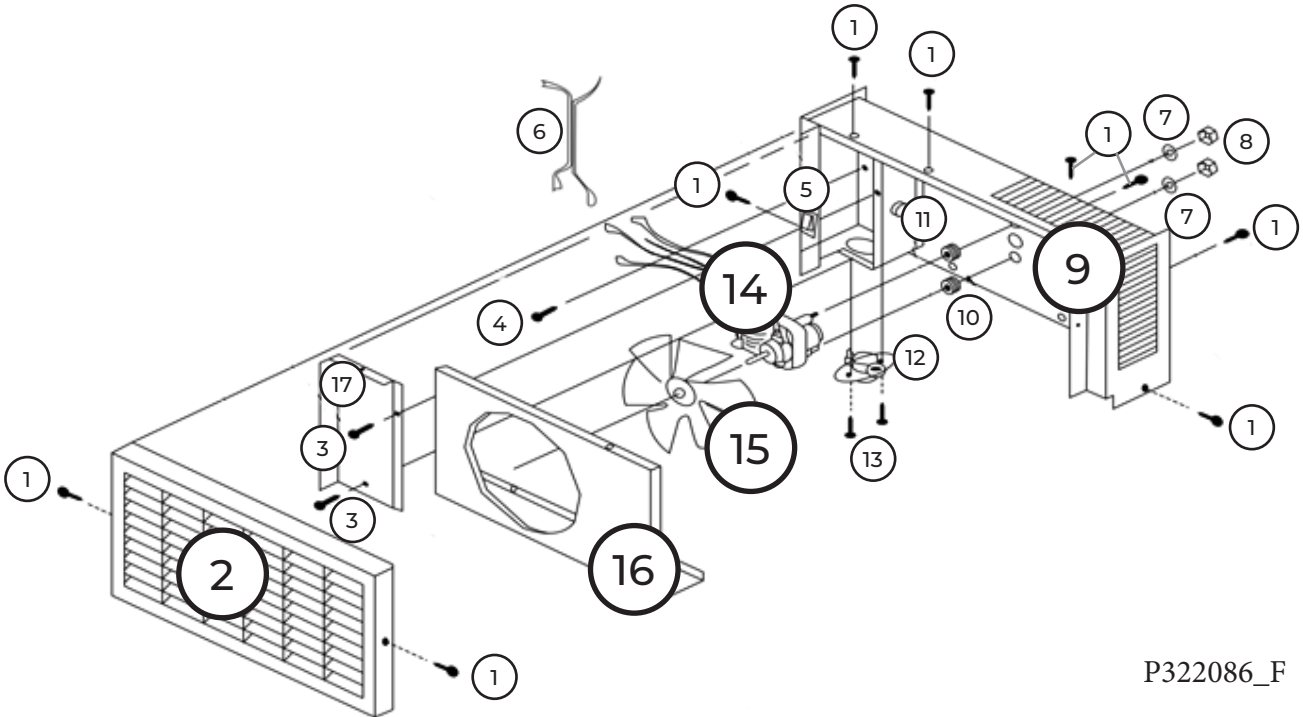
REF. NO.	REPLACEMENT PART DESCRIPTION	5009821	9A409 / 5009822
1	Ensamblaje de cables (se requieren ambos)	P321836/A	P321836/A
2	Válvula	P322660	P323011
3	Soporte de quemador frontal	9B243	9B243
4	Colector	P323661	P323661
5	Orificio del quemador (2)	P332623	P332625
6	Conjunto de piloto / generador	P322397	P322396
7	Quemador	P323648	P323648
8	Electrodo	P322155	P322155
9	Placa de montaje piloto (2)	9A409	9A409



BLOWER ACCESSORY MODEL 2901 PARTS

MODEL NUMBER	
2901	

REF. NO.	REPLACEMENT PART DESCRIPTION	PART NUMBER
1	Screw - #8Ax 3/8 (8)	P013200
2	Blower Grille	9C99
3	Screw - #8Ax 3/8 (8)	P093200
4	Screw - #10 x 1/2	P141000
5	Rocker Switch	P320911A
6	Wire Bridle	P320912
7	Flat Washer - #10-31 (2)	P127300
8	Machine Nut - #8-32 w/Washer (2)	P041100
9	Blower Body	9C102
10	Motor Mount Grommet (2)	P321078
11	Strain Relief Bushing	P012900
12	Temperature Limit Switch	P323097
13	Screw - #8-18 x 1/2"	P138200
14	Motor	P323922
15	Fan Blade	9B99
16	Orifice Plate	9D12-1
17	Junction Box Cover	9B161



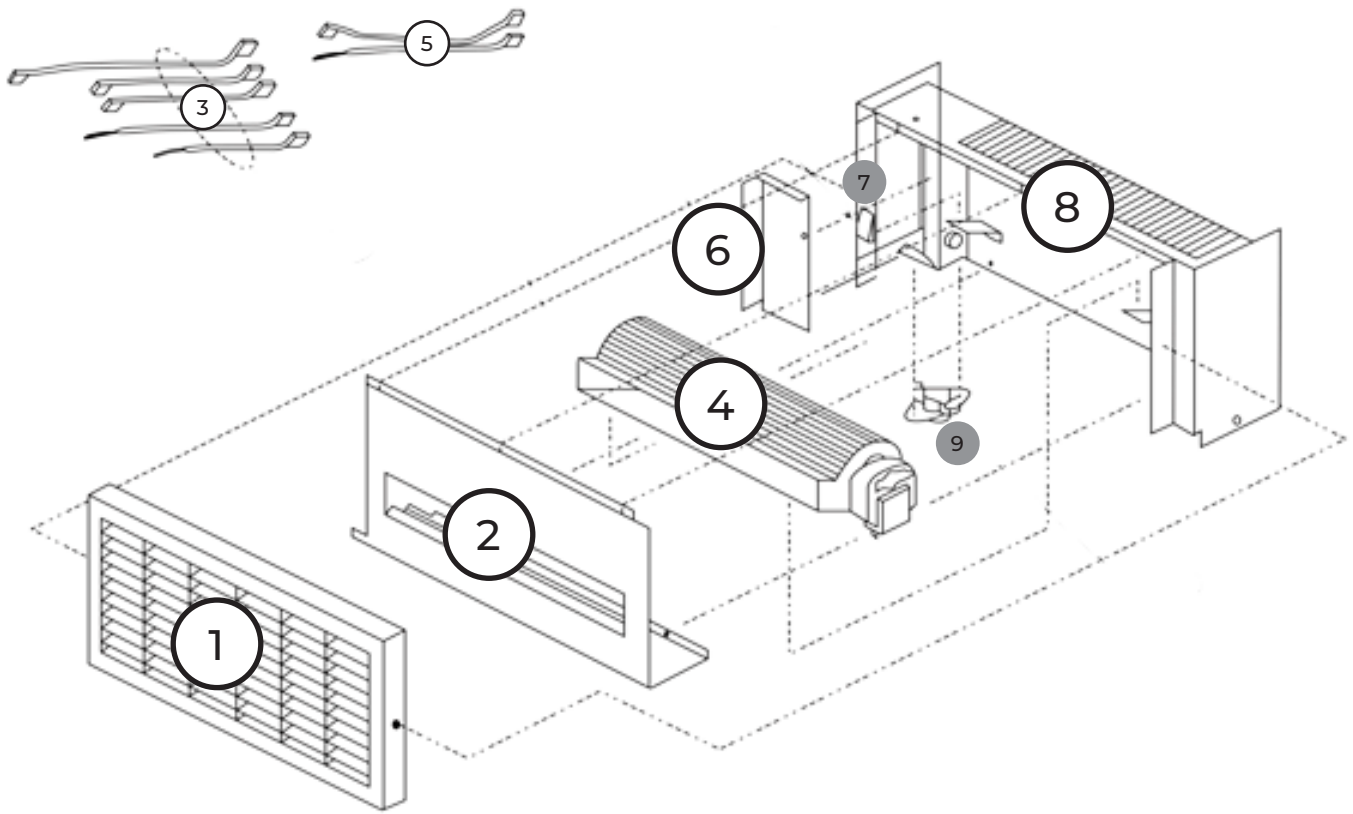
BLOWER ACCESSORY MODEL 2907 PARTS

MODEL NUMBER	
2907	

REF. NO.	REPLACEMENT PART DESCRIPTION	PART NUMBER
1	Blower Grille	9C99
2	Orifice Plate	9B246
3	Wire Assemblies	P323085 / P323086 / P323377
4	Blower and Motor	P323423
5	Heat Sensor Wire Assemblies	P274202 / P109600
6	Junction Box Cover	9A483
7	Rocker Switch	P323080
8	Blower Body	9B249
9	Temperature Limit Switch	P323097

Use only manufacturer's authorized parts.

NOTE: Nuts, bolts, screws, and washers are standard hardware items and may be purchased locally.



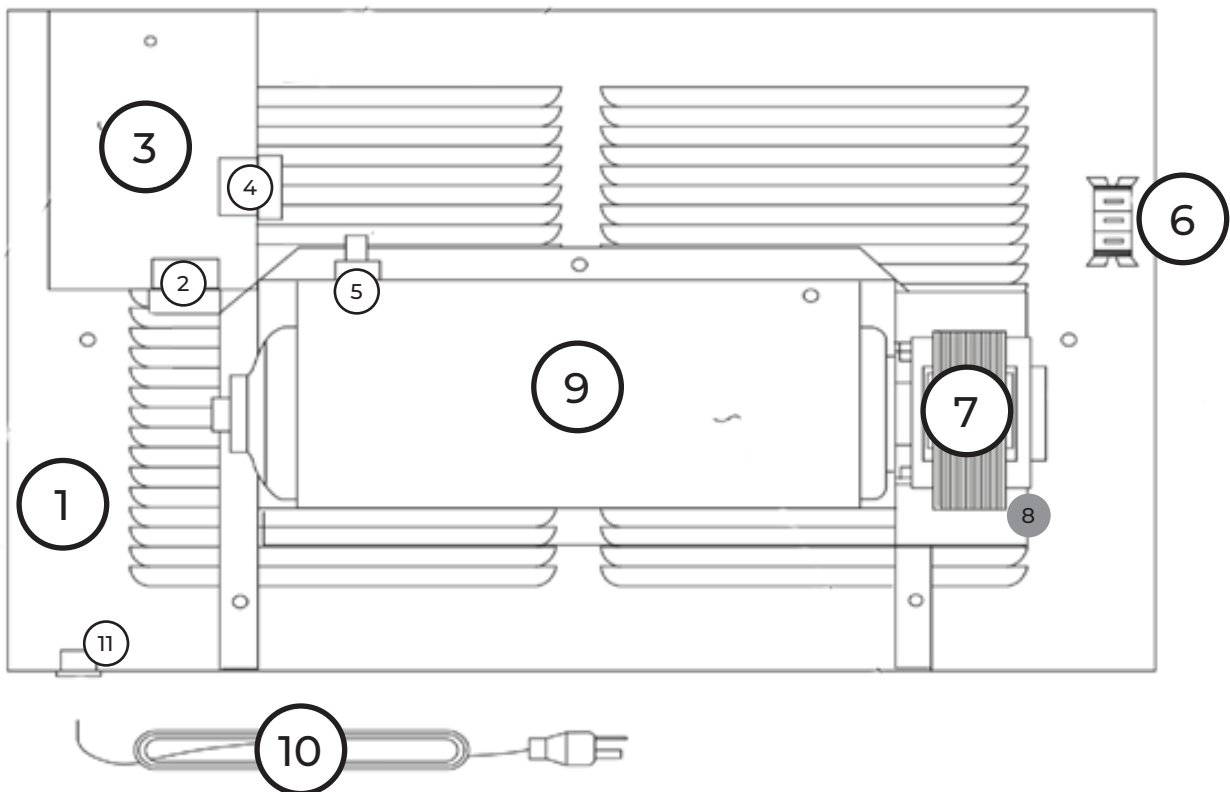
MOTORIZED REAR OUTLET REPLACEMENT PARTS

MODEL NUMBERS	
6919	6920

REF. NO.	REPLACEMENT PART DESCRIPTION	6919	6920
1	Register Assembly	9B269	9B285
2	Strain Relief Bushing	P500185	P500185
3	J-Box Cover	9A427	9A427
4	Strain Relief Bushing	P603108	P603108
5	Heat Sensor Switch	P323172	P323172
6	Fan Switch	P323080	P323080
7	Motor and Blower	P323423	P323423
8	Motor cover	9A435	9A462
9	Motor Housing Back Plate	9B266	9B284
10	Cord and Plug	P323081	P323081
11	Bushing	P323084	P323084

Use only manufacturer's authorized parts.

NOTE: Nuts, bolts, screws, and washers are standard hardware items and may be purchased locally.

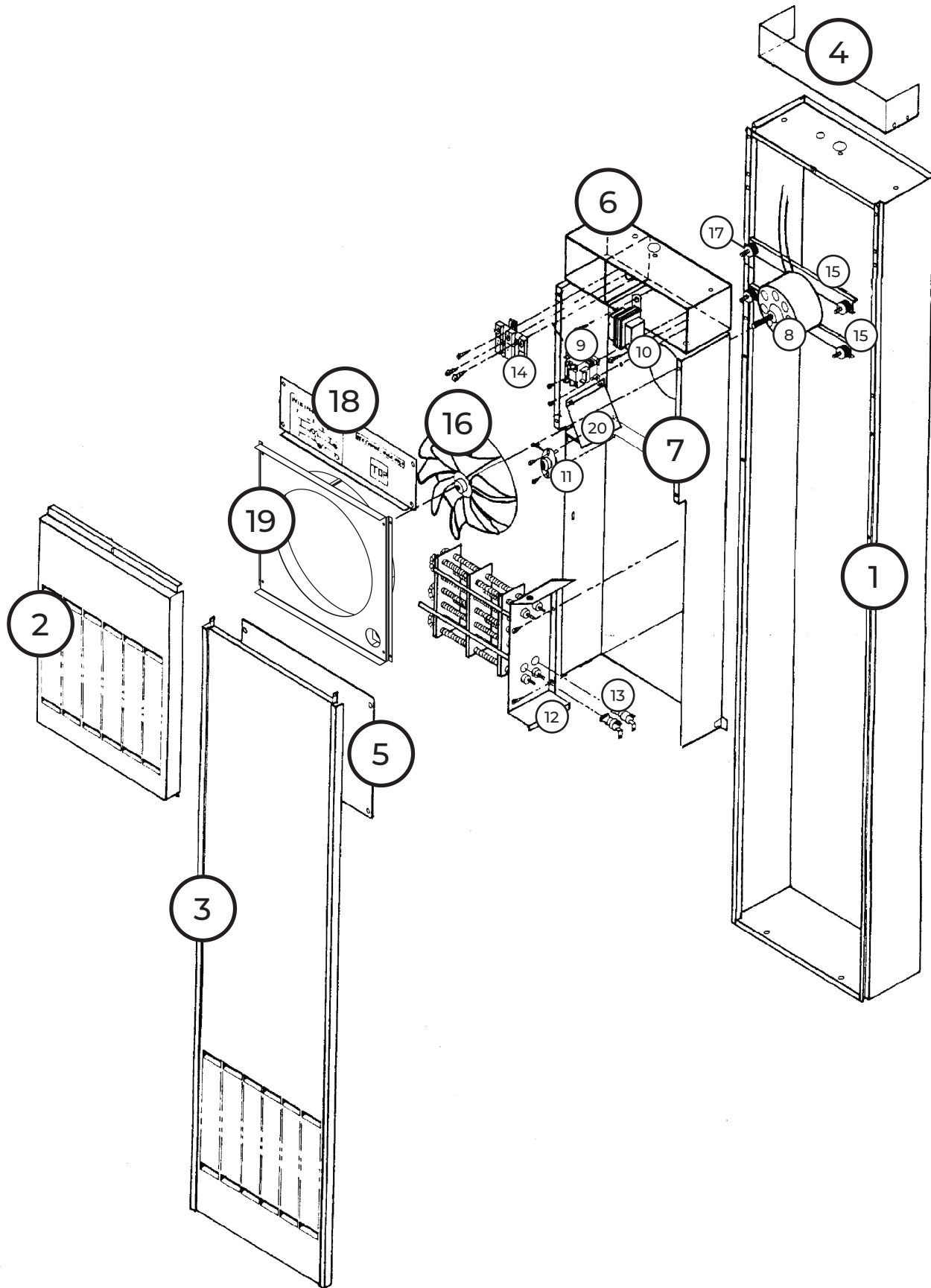


FURNACE ASSEMBLY REPLACEMENT PARTS 300 MODEL

MODEL NUMBER
3144030

REF. NO.	REPLACEMENT PART DESCRIPTION	3144030
1	Outer Casing	16C01
2	Top Front Panel	16B01
3	Bottom Front Panel	16B09
4	Top Trim Cover	16A07
5	Element Cover	16A04
6	Junction Box Assembly	16B15
7	Element Casing Body Assembly	16C04
8	Motor	P021504
9	Relay	P154700
10	Transformer	P154802
11	Limit Switch	P323366
12	Heating Element	P155001
13	Fuse-Limiter (2 req.)	P323665
14	Terminal Block	P154400
15	Motor Support (2 req.)	16A06
16	Fan Blade	P200600
17	Vibration Isolator (4 req.)	P022800
18	Junction Box Cover	16A03
19	Fan Shroud	16B04
20	Side Baffle Assembly	16A18
Thermostat not included with these models.		

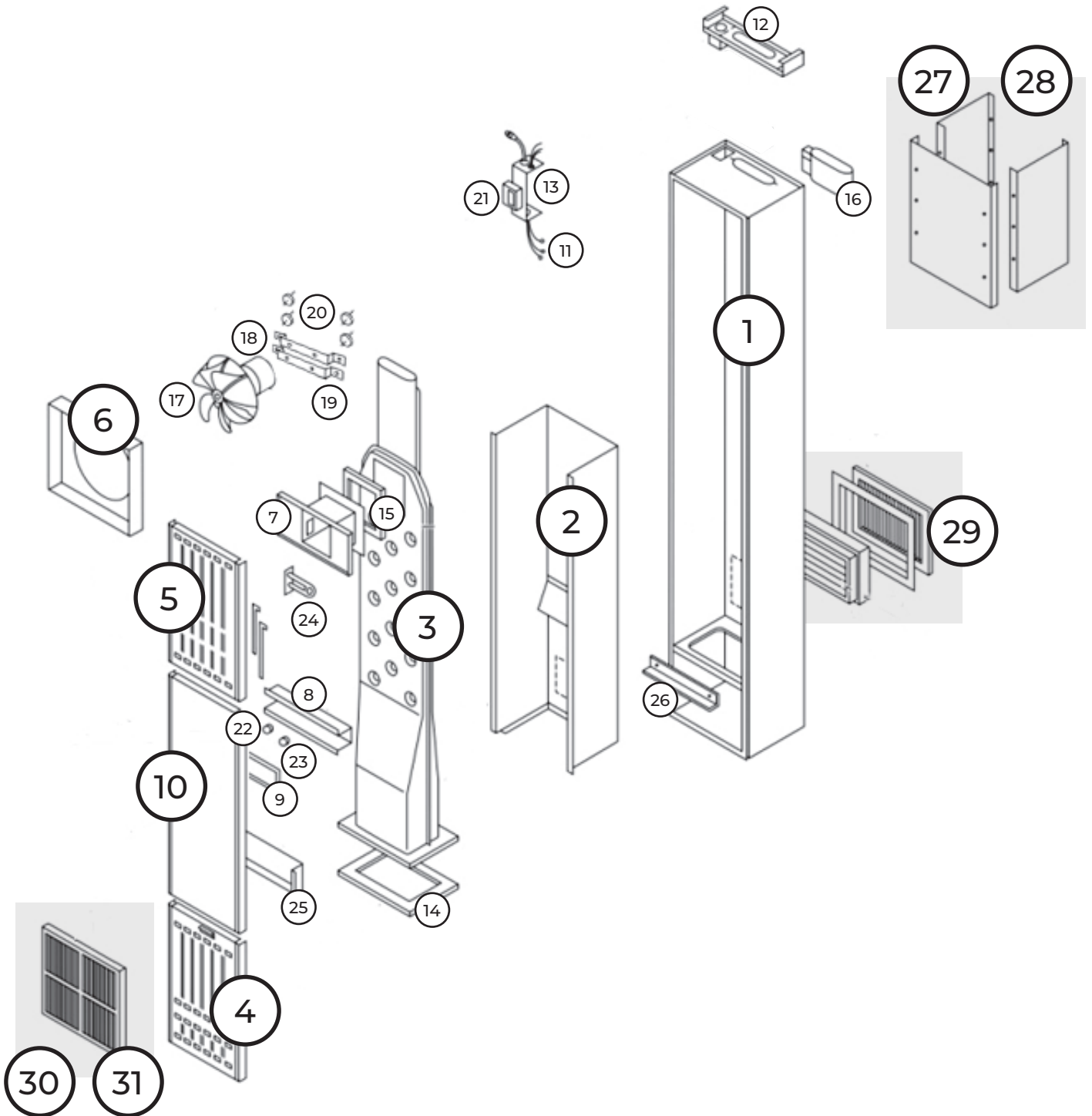
EXPLODED VIEW WITH PARTS



PART NUMBERS FOR THE 350 MODEL

TOP VENT COUNTERFLOW			
NATURAL		PROPANE	
3508232	3508632	3508231	3508631
REF. NO.	REPLACEMENT PART DESCRIPTION	3508232 / 3508231 / 3508632 / 3508631	
1	Outer Casing, Less Front Panel	12C10	
2	Inner Liner	12B15	
3	Heating Element	12C26	
4	Bottom Front Panel	12B49	
5	Top Front Panel	12B50	
6	Fan Shroud	12B03-1	
7	Opening Pan	12B12	
8	Switch Box	11B05	
9	Switch Box Cover	11C68	
10	Center Front Panel	12C21	
11	Internal Wires (All Except Ign. Control)	3508231	
12	Header Plate	7B57	
13	Junction Box	12B05	
14	Gasket-Element Base	P026500	
15	Draft Hood Gasket	P107900	
16	Flue Collar Gasket	7A22	
17	Fan Blade	P300500	
18	Motor	P322544	
19	Motor Support (2 Req.)	7B46	
20	Vibration Isolators (4 Req.)	P022800	
21	Transformer 115V-24V	P024200	
22	Limit Switch	P309600	
23	Fan Switch	P200200	
24	Limit Switch	7735	
25	Deflector Baffle Handle	11C63	
26	Lower Element Base Angle	7A117	
27	KIT 12" Vent Enclosure	9812	
28	KIT 24" Vent Enclosure	9824	
29	KIT Rear Grille, Two-Way	6802	
30	KIT Diffusing Grille - Two-Way	6703	
31	KIT Diffusing Grille - One-Way	6704	

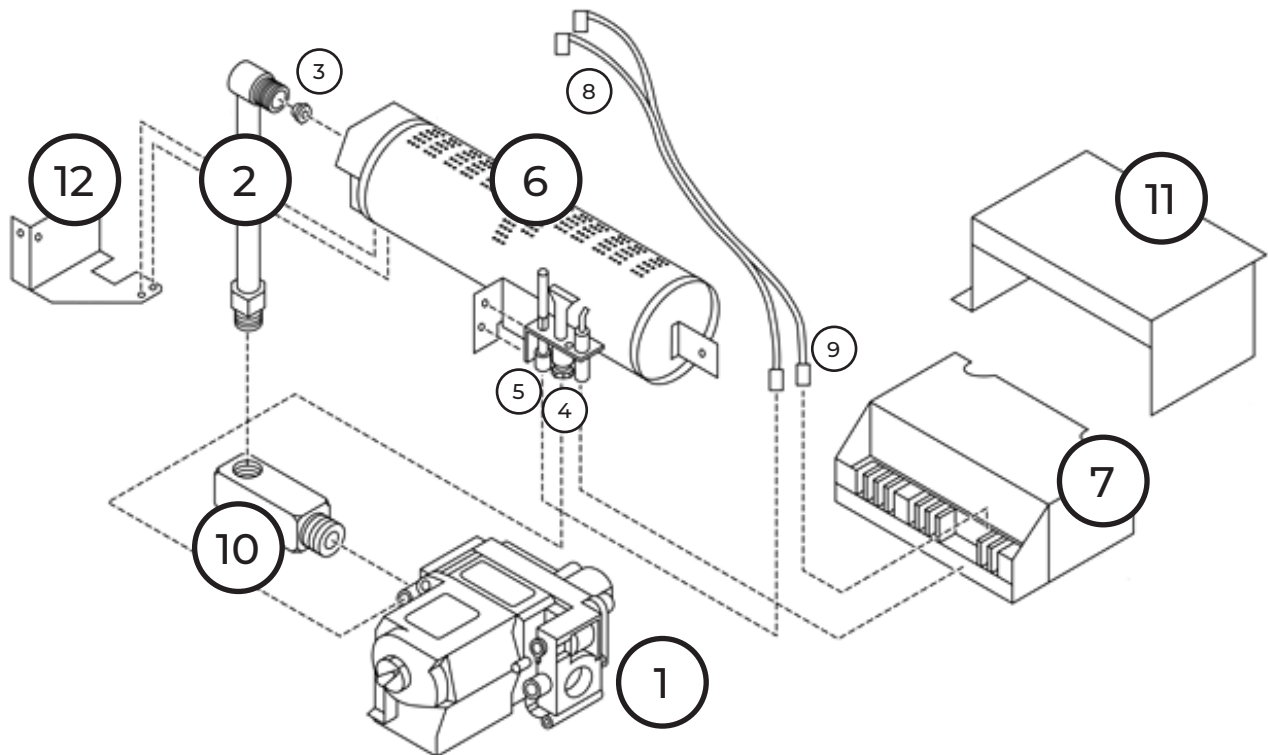
EXPLODED VIEW & REPLACEMENT PARTS CHART



Thermostat not included with these models.

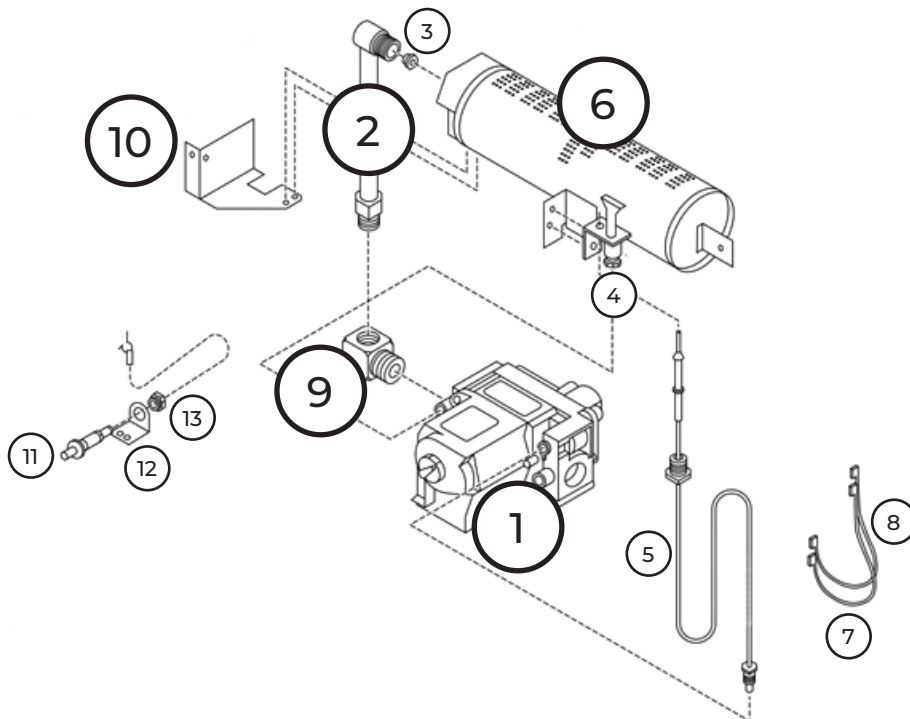
CONTROL ASSEMBLY REPLACEMENT PARTS 350 MODELS - **INTERMITTENT IGNITION**

REF. NO.	REPLACEMENT PART DESCRIPTION	MODEL NUMBERS	
		3508232	3508231
1	Valve, Natural Gas	P323210	-
	Valve, Liquid Propane Gas	-	P322044
2	Manifold	P323657	P323657
3	Orifice Fitting, Specify Model & Gas Type	P090536	P090550
4	Pilot, Natural Gas	P323418	-
	Pilot, Liquid Propane Gas	-	P323419
5	Thermocouple	-	-
	Flame Sensor	P271100	P271100
6	50mm BURNER	P323648	P323648
7	Ignition Control Unit	P321900	P321900
8	Wire Assembly	P321935/35A	P321935/35A
9	Ignition Control Wires	31B036	31B036
10	Manifold Adapter	P321887	P321887
11	Ignition Shield	11B155	11B155
12	Front Burner Bracket	9B234	9B234



CONTROL ASSEMBLY REPLACEMENT PARTS 350 MODELS - **STANDING PILOT**

REF. NO.	REPLACEMENT PART DESCRIPTION	MODEL NUMBERS	
		3508632	3508631
1	Valve, Natural Gas	P323209	-
	Valve, Liquid Propane Gas	-	P322042
2	Manifold	P323657	P323657
3	Orifice Fitting, Specify Model & Gas Type	P090536	P090550
4	Pilot, Natural Gas	P323074	-
	Pilot, Liquid Propane Gas	-	P323073
5	Thermocouple	P233100	-
	Flame Sensor	-	-
6	50mm BURNER	P323648	P323648
7	Wire Assembly	P321935/35A	P3219535/35A
8	Ignition Control Wires	-	-
9	Manifold Adapter	P321888	P321888
10	Front Burner Bracket	9B234	9B234
11	Manual Spark Igniter	P285500	P285500
12	Piezo Igniter Bracket	7A189	7A189
13	Pal Nut	P285501	P285501



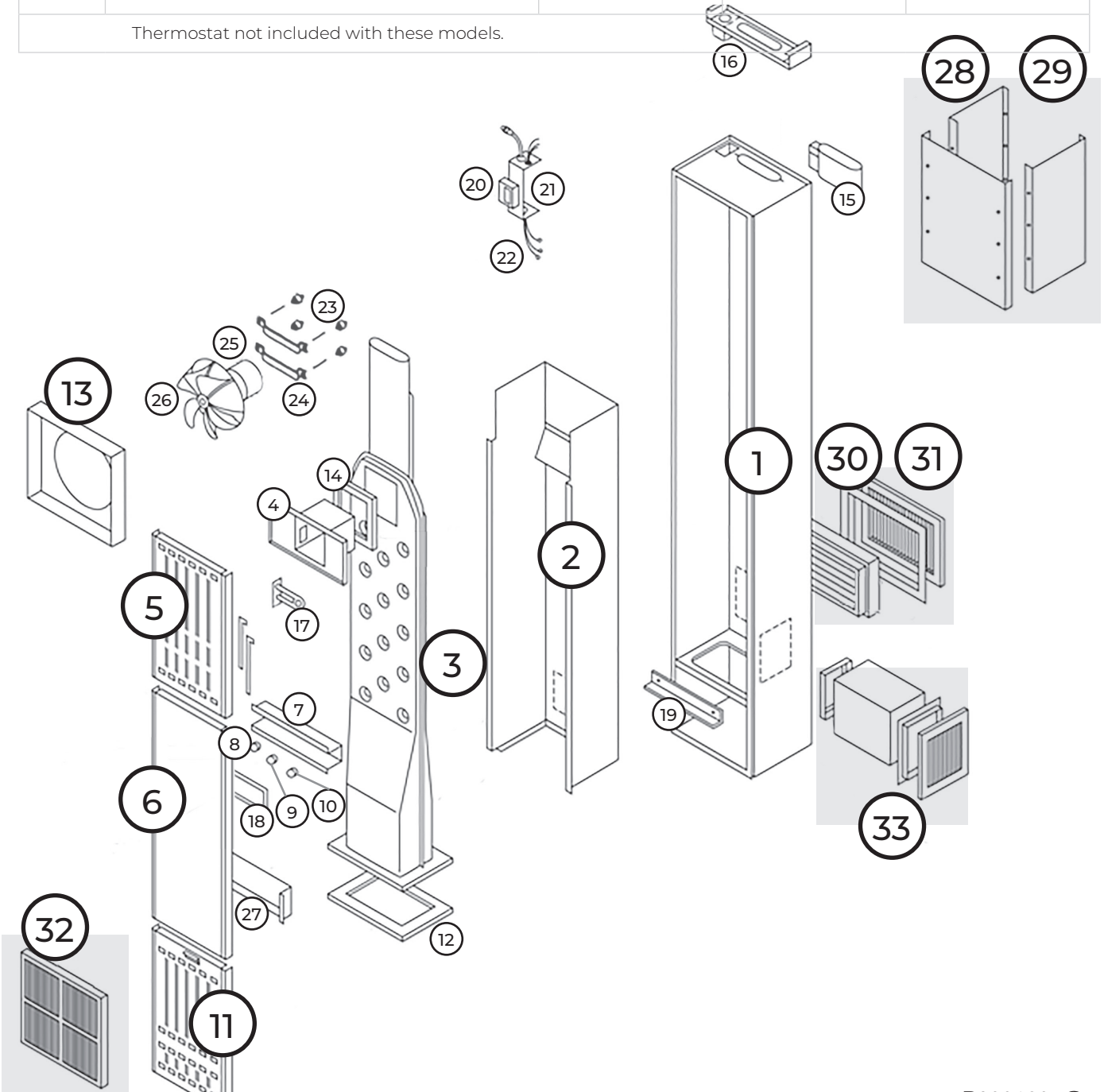
PART NUMBERS FOR THE 500 / 550 / 650 MODELS

TOP VENT COUNTERFLOW					
NATURAL			PROPANE		
5008632	5508232	6508632	5008631	5508231	6508631

REF. NO.	REPLACEMENT PART DESCRIPTION	5008632 / 5008631	5508232 / 5508231	6508632 / 6508631
1	Outer Casing, Less Front Panel	7C55-2	-	-
2	Inner Liner	11B46	7B79	7B79
3	Heating Element	7C116	7C68	7C117
4	Relief Opening Pan	7B108	7B107	7B108
5	Top Front Panel	7B126	7B126	7B126
6	Center Front Panel	11C60	11C59	11C59
7	Switch Box	11B05	11B05	11B05
8	Limit Switch	P200300	P296001	P309600
9	Selector Switch	P213400	P296201	P296201
10	Fan Switch	P200200	P200200	P200200
11	Bottom Front Panel	11B158	11B158	11B158
12	Element Base Gasket	P026500	P026500	P026500
13	Fan Shroud	7B106	7B106	7B106
14	Relief Pan Gasket	P028300	P028300	P028300
15	Flue Collar Gasket	7A22	7A22	7A22
16	Header	7B57	7B57	7B57
17	Limit Switch	7735	7735	7735
18	Switch Box Cover	11C68	11C68	11C68
19	Lower Element Base Angle	7A117	7A117	7A117
20	Transformer, 115V/24V	P024200	P024200	P024200
21	Junction Box	7B29	7B29	7B29
22	Internal Wires (All Except Ign. Control)	5008632	5008232	6508632
23	Vibration Isolators (4 Req.)	P022800	P022800	P022801
24	Motor Support (2 Req.)	7B46	7B46	7B46
25	Motor	P062101	P062101	P321601
26	Motor Fan Blade	P200600	P200600	7B111
27	Deflector Baffle Handle	11C63	11C63	11C63
28	KIT 12" Vent Enclosure Kit*	9812	9812	9812
29	KIT 24" Vent Enclosure Kit	9824	9824	9824

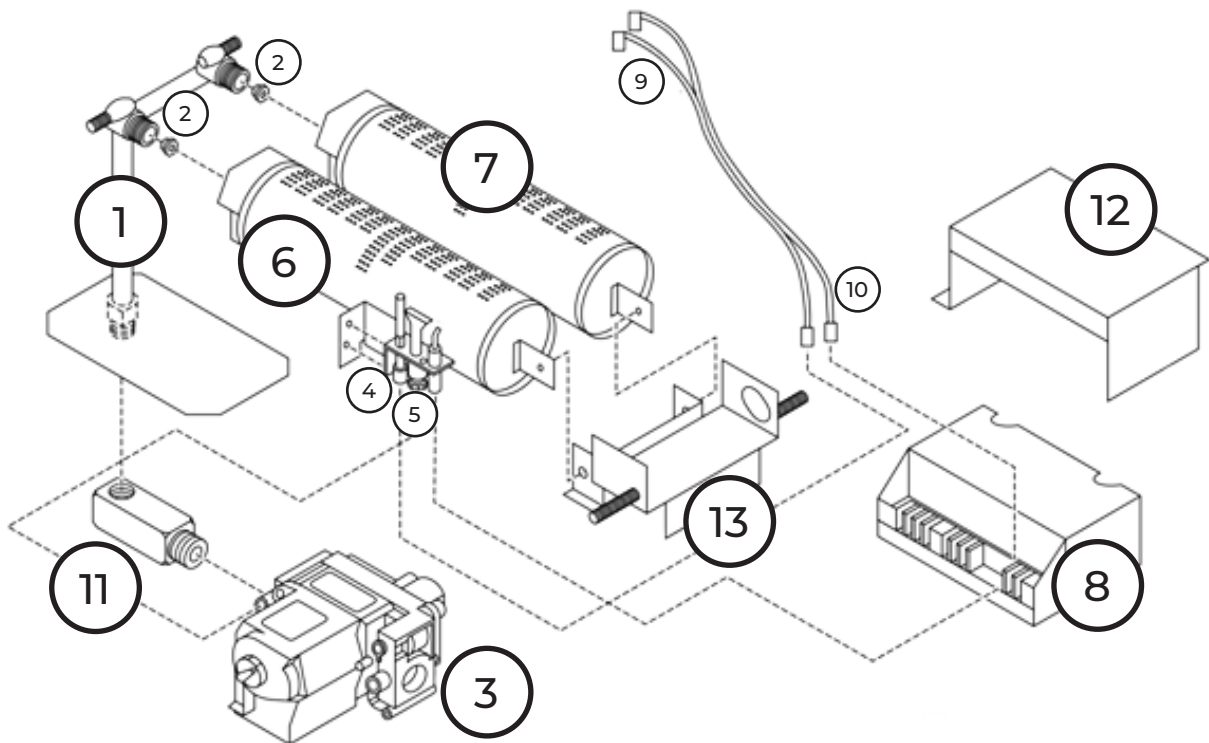
REF. NO.	REPLACEMENT PART DESCRIPTION	5008632 / 5008631	5508232 / 5508231	6508632 / 6508631
30	KIT Rear Grille, Two-Way, outer boot 10" long, inner boot 10 3/4" long	6801	6801	6801
31	KIT Rear Grille, Two-Way, outer boot 7/8" long, inner boot 1 5/8" long	6802	6802	6802
32	KIT Diffusing Grille Kit (Two-Way) Diffusing Grille Kit (One-Way)	6703 6704	6703 6704	6703 6704
33	KIT Side inner Boot, 10 3/4" long Side Outlet Register Kit 10" long Side Plaster Ground Side Grille	6701	6701	6701

Thermostat not included with these models.



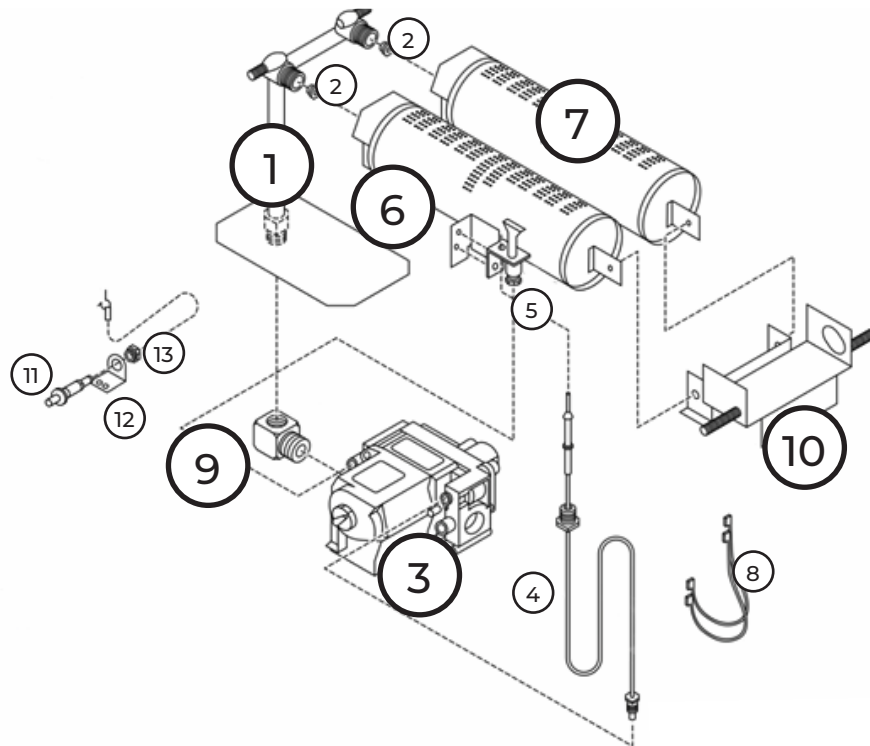
CONTROL ASSEMBLY REPLACEMENT PARTS 550 MODELS - **INTERMITTENT IGNITION**

REF. NO.	REPLACEMENT PARTS DESCRIPTION	MODEL NUMBERS	
		5508232	5508231
1	Manifold	P323656	P323656
2	Orifice Fitting, Specify Model and Gas (2 required)	P332622	P332620
3	Valve, Natural Gas	P323210	-
	Valve, Liquid Propane Gas	-	P322044
4	Thermocouple	P322042	-
	Flame Sensor	P233100	P271100
5	Pilot, Liquid Propane Gas	P323073	P322680
6	50mm Burner (with pilot bracket)	P323648	P323648
7	50mm Burner (without pilot bracket)	P323649	P323649
8	Ignition Control Unit	P321900	P321900
9	Wire Assembly	P322048/48A	P322048/48A
10	Ignition Control Wires	31B036	31B036
11	Manifold Adapter	P321887	P321887
12	Ignition Shield	11B155	11B155
13	Burner Mounting R.H. Bracket Assembly	7B187	7B187



CONTROL ASSEMBLY REPLACEMENT PARTS 500 / 650 MODELS - **STANDING PILOT**

REF. NO.	REPLACEMENT PARTS DESCRIPTION	MODEL NUMBERS			
		5008632	5008631	650832	6508631
1	Manifold	P323656	P323656	P323656	P32656
2	Orifice Fitting, Specify Model and Gas (2 required)	P090542	P332619	P090536	P090551
3	Valve, Natural Gas	P323209	-	P323209	-
	Valve, Liquid Propane Gas	-	P322042	-	P322042
4	Thermocouple	P233100	P233100	P233100	P233100
5	Pilot, Natural Gas	P323074	-	P323074	-
	Pilot, Liquid Propane Gas	-	P323073	-	P323073
6	50mm Burner (with pilot bracket)	P323648	P323648	P323648	P323648
7	50mm Burner (without pilot bracket)	P323649	P323649	P323649	P323649
8	Wire Assembly	P322048/48A	P322048/48A	P322048/48A	P322048/48A
9	Manifold Adapter	P321888	P321888	P321888	P321888
10	Burner Mounting R.H. Bracket Assembly	7B187	7B187	7B187	7B187
11	Manual Spark Igniter	P285500	P285500	P285500	P285500
12	Piezo Igniter Bracket	7A303	7A303	7A303	7A303
13	Pal Nut	P285501	P285501	P285501	P285501

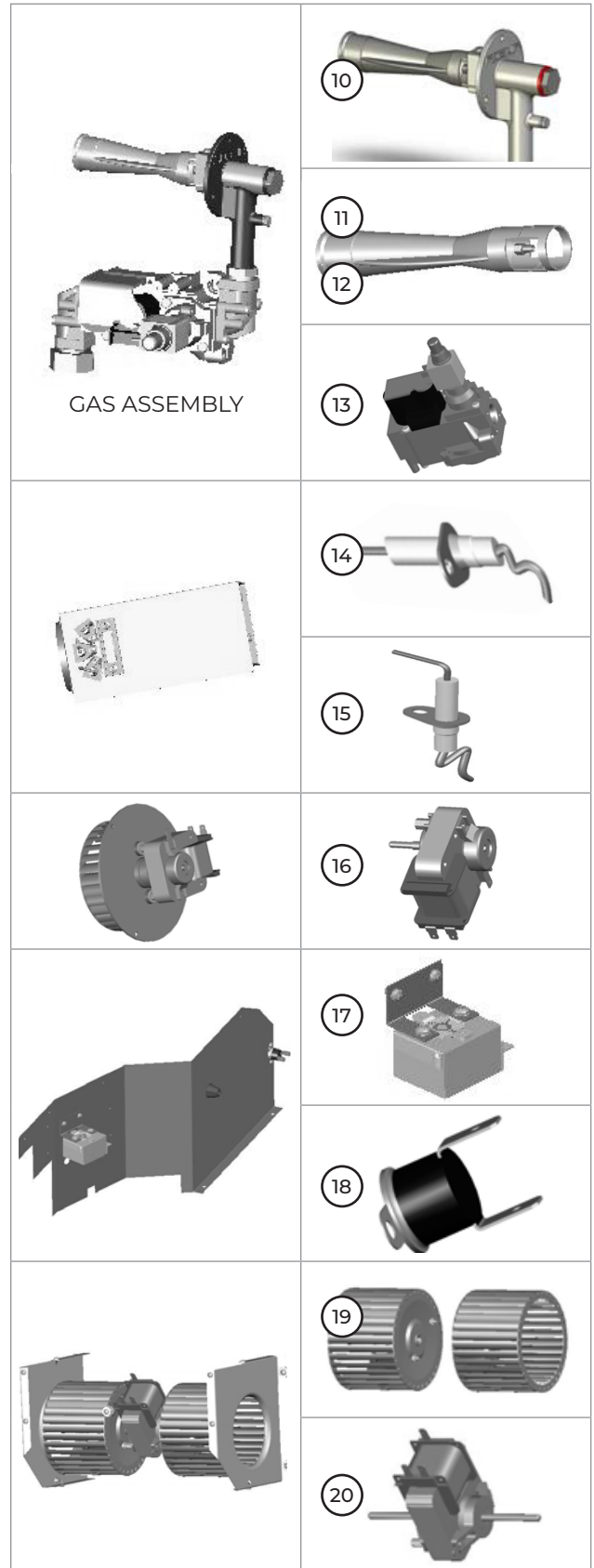
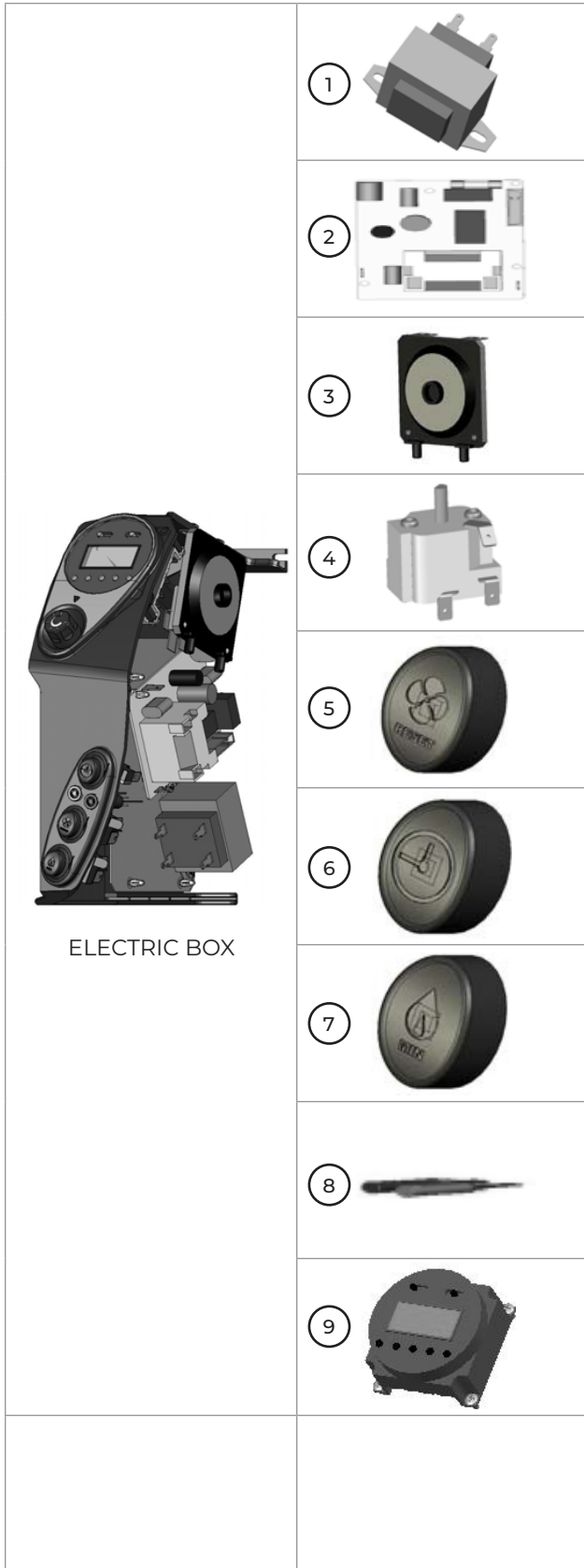


FURNACE ACCESSORY REPLACEMENT PARTS FOR 177 MODELS

MODEL NUMBERS	
1773512	1773511

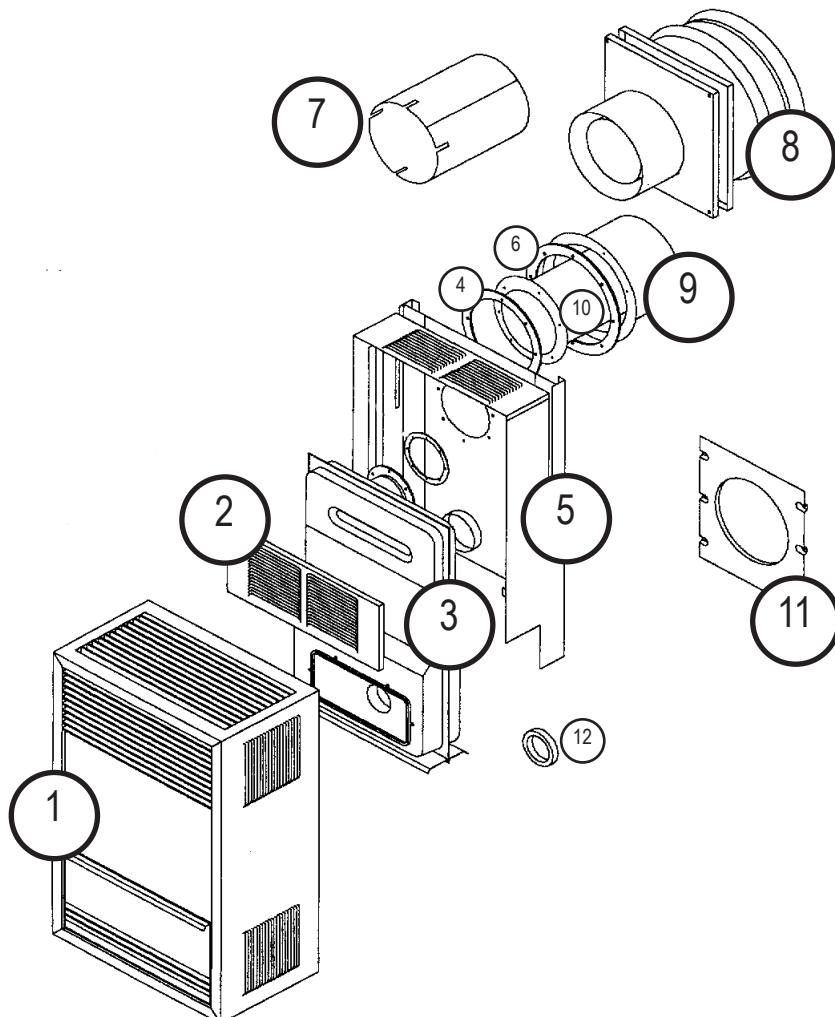
REF. NO.	REPLACEMENT PART DESCRIPTION	PART NUMBER
1	TR 120/24 Transformer	P332523
2	Ignition Control Box	P332503
3	NP Pressure Switch	P332516
4	Z9 Room Thermostat	P332564
5	Z1 Reset and summer/Winter Switch	P332571
6	Z8 - Z3 Timer and Manual Program Mode Switch	P332570
7	Z2 Hi-Lo Flame and Fan Speed Switch	P332569
8	SF/SB Green and Red Lamps	P332633
9	Z8 Timer	P332539
10	Gas Burner and Gas Nozzle	P332561
11	Natural Gas Nozzle	P332551
12	Propane Gas Nozzle	P332552
13	EV 1/2 Min/Max Gas Valve	P332541
14	RP8 Flame Sensor	P332511
15	RP7 Spark Igniter (2 pieces)	P332512
16	S - Combustion Blower Motor	P332514
17	M1 - Overheat Thermostat	P332522
18	M2 - Fan Thermostat	P332496
19	Fan Blades	P332572
20	M - Fan Motor	P332513

REPLACEMENT PARTS



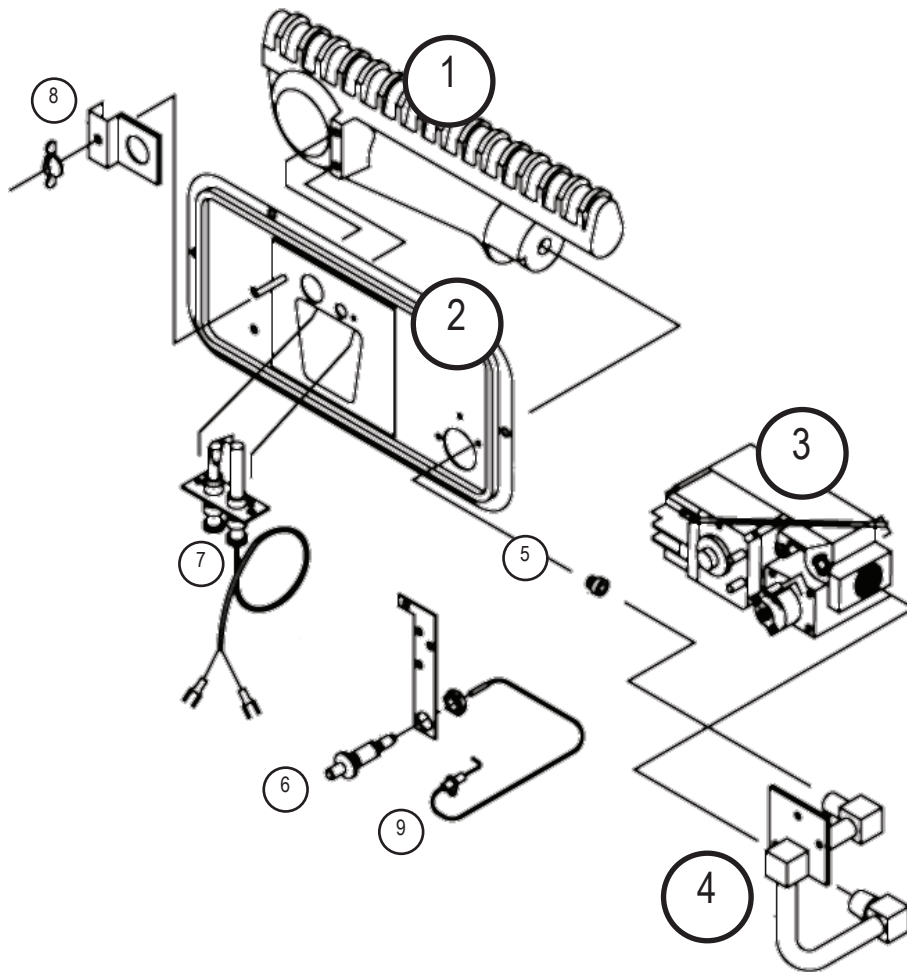
FURNACE ASSEMBLY REPLACEMENT PARTS 140 MODELS

REF. NO.	REPLACEMENT PART DESCRIPTION	MODEL NUMBERS	
		NATURAL 1403822	PROPANE 1403821
1	Face Panel	4309	4309
2	Combustion Chamber Shield	8A72	8A72
3	Combustion Chamber	6303	6303
4	Flue Tube Gasket (2 Req.)	P147001/2	P147001/2
5	Inner Casing	8B62	8B62
6	Air Inlet Gasket	P147000	P147000
7	Air Inlet Shield (Standard Maximum 9" Thick Wall)	6C54-1	6C54-1
8	Vent Cap	9306	9306
9	Air Inlet Collar (Standard Maximum 9" Thick Wall)	6C60	6C60
10	Flue Extension (Standard Maximum 9' Thick Wall)	6A193	6A193
11	Mounting Spacer Plate	8B64	8B64
12	Air Inlet Gasket	P121800	P121800



CONTROL ASSEMBLY REPLACEMENT PARTS 140 MODELS

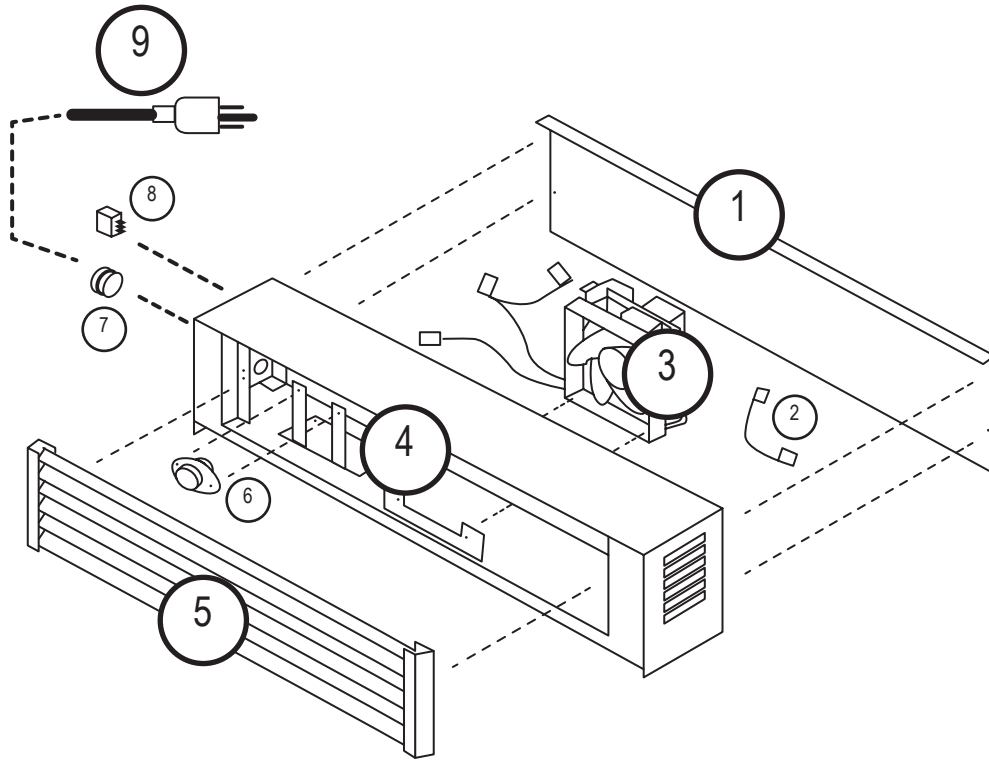
MODEL NUMBERS			
NATURAL		PROPANE	
1403822		1403821	
REF. NO.	REPLACEMENT PART DESCRIPTION	1403822	1403821
1	Burner	P168400	P168400
2	Control Door with P500677 Gasket	8A103	8A103
3	Gas Valve	P295200A	P295201A
4	Manifold with P147200 Gasket	P323659	P323659
5	Burner Orifice (Sea Level)	P090550	P090556
6	Manual Spark Igniter	P285500	P285500
7	Pilot (P142700 gasket not included)	P323700	P322399
8	Observation Door with P100100 Gasket	12B40	12B40
9	Electrode	P322400	P322400



BLOWER ACCESSORY REPLACEMENT 2303 KIT FOR MODELS 1403822 / 14H3822

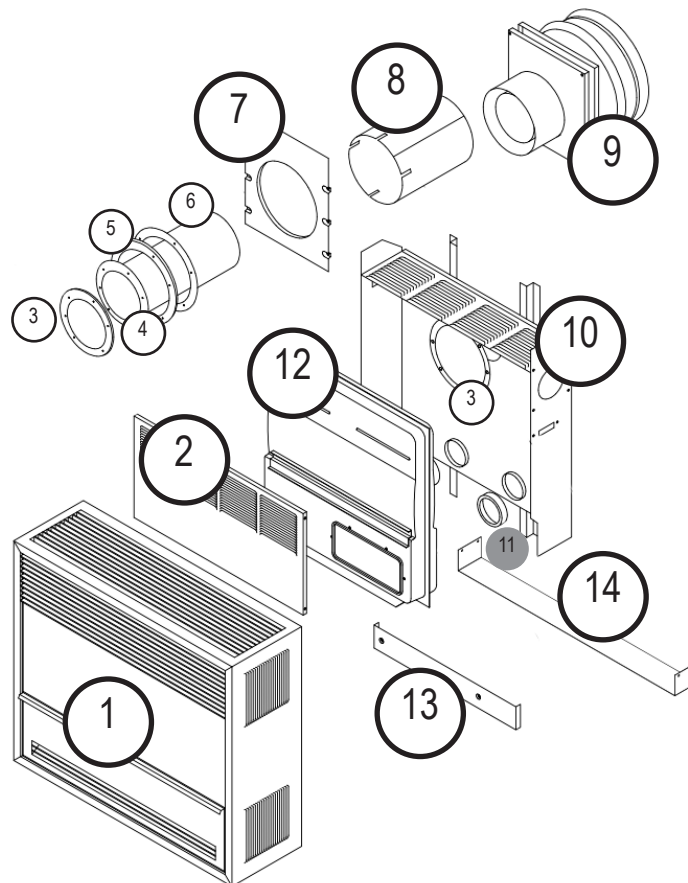
REF. NO.	REPLACEMENT PART DESCRIPTION	KIT NUMBER
		2303
1	Back Plate	8A128
2	Wire	P101000
3	Fan Blower Assembly	8B94
4	Blower Casing Assembly	8B93
5	Louver Assembly	8B90
6	Heat Sensor Switch	P323095
7	Strain Relief	P500158
8	Fan Switch	P323080
9	Plug and Cord	6B189

EXPLODED VIEW & REPLACEMENT PARTS CHART



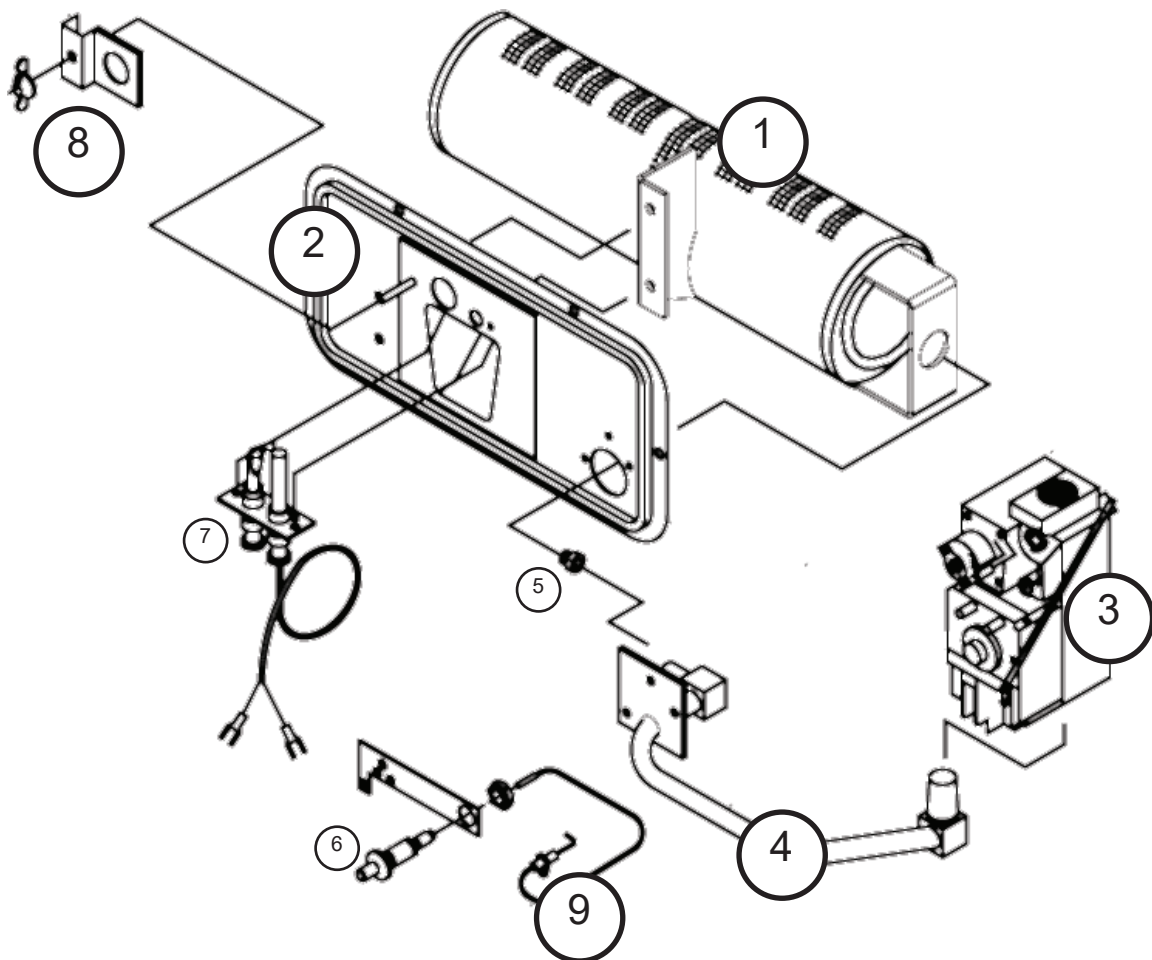
FURNACE ASSEMBLY REPLACEMENT PARTS 220 / 300 MODELS

REF. NO.	REPLACEMENT PART DESCRIPTION	MODEL NUMBERS			
		NATURAL 2203822	PROPANE 2203821	NATURAL 3003822	PROPANE 3003821
1	Face Panel	4313	4313	4313	4313
2	Combustion Chamber Shield	6B149	6B149	6B149	6B149
3	Flue Tube Gasket (2 Req.)	P147001	P147001	P147001	P147001
4	Flue Extension (Standard Maximum 9" Thick Wall)	8A51	8A51	6A190	6A190
5	Air Inlet Gasket	P147000	P147000	P147000	P147000
6	Air Inlet Collar (Standard Maximum 9" Thick Wall)	6C60	6C60	6C51	6C51
7	Mounting Spacer Plate	6C66	6C66	6C66	6C66
8	Air Inlet Shield (Standard Maximum 9" Thick Wall)	6C54-1	6C54-1	6C54-1	6C54-1
9	Vent Cap	9306	9306	9306	9306
10	Inner Casing	6D20	6D20	6D20	6D20
11	Air Inlet Gasket (2 Req.)	P121800	P121800	P121800	P121800
12	Combustion Chamber	6304	6304	6304	6304
13	Leg Cover Plate	6B25	6B25	6B25	6B25
14	Bottom Heat Shield	-	-	6A240	6A240



CONTROL ASSEMBLY REPLACEMENT PARTS 220 / 300 MODLES

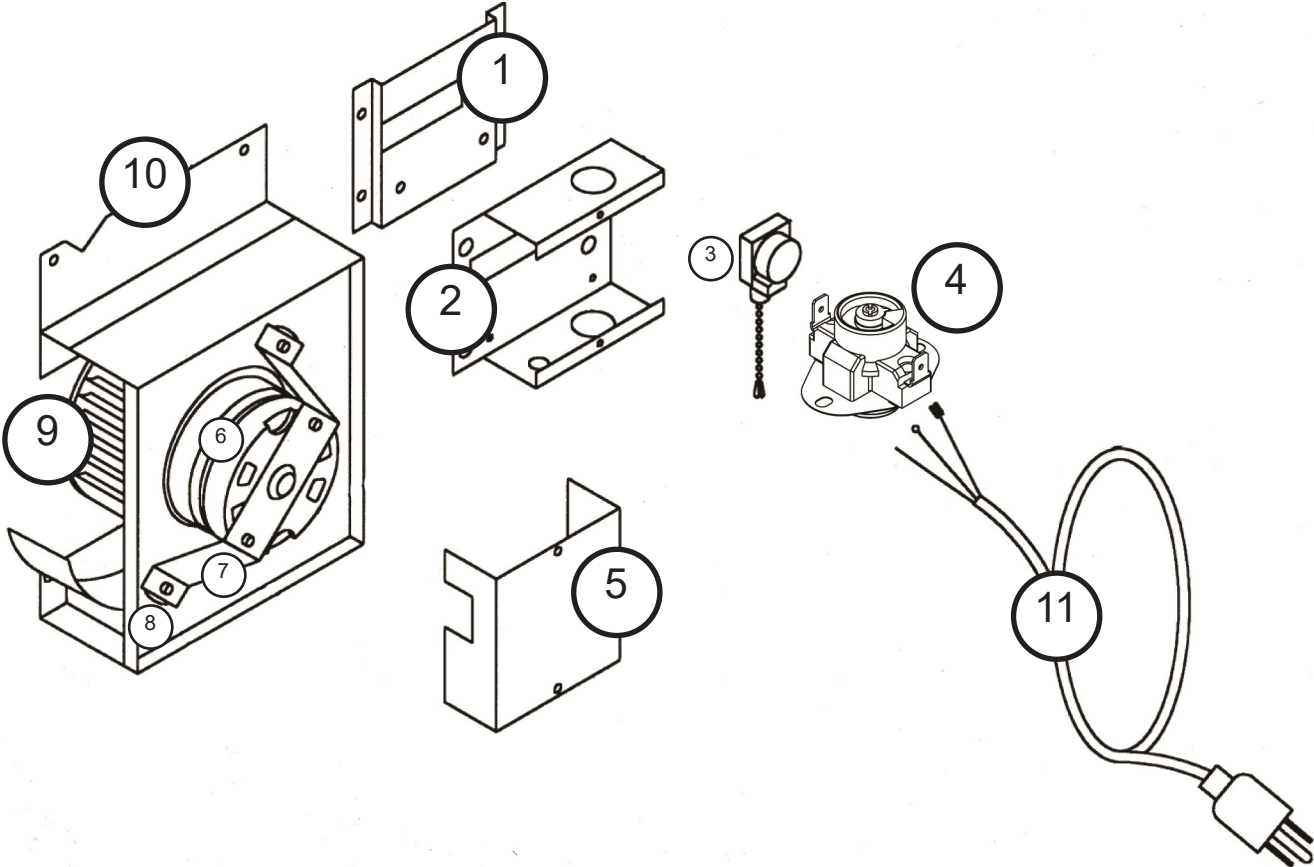
MODEL NUMBERS					
NATURAL		PROPANE			
		2203822	3003822	2203821	3003821
REF. NO.	REPLACEMENT PARTS DESCRIPTION	2203822	2203821	3003822	3003821
1	Burner	P168404	P168404	P168404	P168404
2	Control Door with P500677 Gasket	8A135	8A135	8A135	8A135
3	Gas Valve	P295200A	P295201A	P295200A	P295201A
4	Manifold with P147200 Gasket	P323655	P323655	P323655	P323655
5	Burner Orifice (Sea Level)	P090544	P332628	P090539	P332621
6	Manual Spark Igniter	P285500	P285500	P285500	P285500
7	Pilot (P142700 gasket not included)	P322398	P322399	P322398	P322399
8	Observation Door with P100100 Gasket	12B40	12B40	12B40	12B40
9	Electrode	P322400	P322400	P322400	P322400



BLOWER ACCESSORY REPLACEMENT 2302 KIT FOR MODELS 2203822/22H3822/3003822

REF. NO.	REPLACEMENT PART DESCRIPTION	KIT NUMBER
		2302
1	Switch Box Bracket	6A24
2	Switch Box	6B33
3	Fan Switch (Pull Chain)	P321017
4	Automatic Fan Switch	P332490
5	Switch Box Cover	6A23
6	Motor Replacement Kit (Motor & Bracket)	6A94
7	Motor Support Bracket	M118702
8	Vibration Isolator (2 Req.)	P128400
9	Blower Wheel	P130700
10	Blower Frame	6B64
11	Plug and Cord	6B189

EXPLODED VIEW & REPLACEMENT PARTS CHART

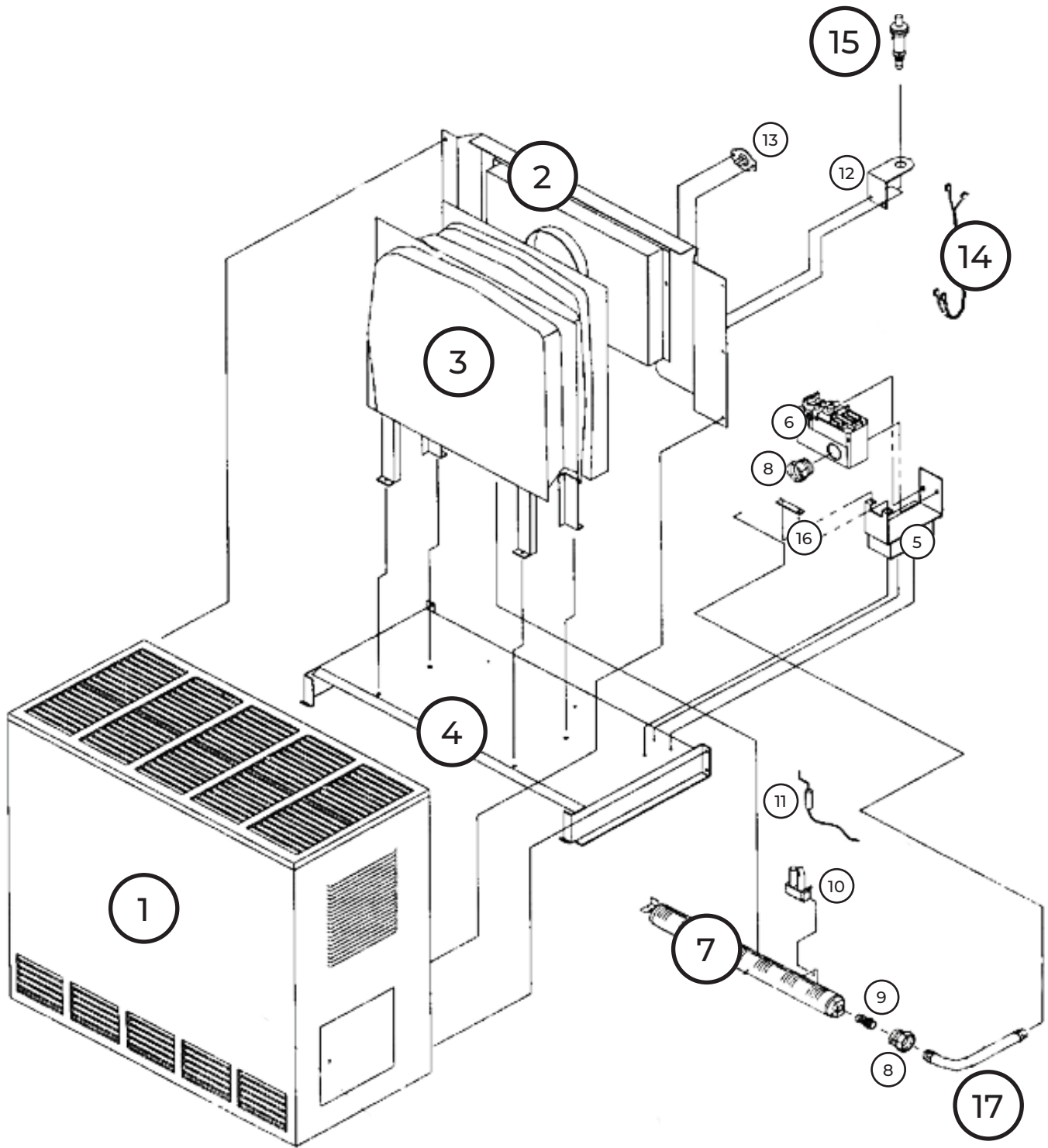


FURNACE ACCESSORY REPLACEMENT PARTS 200 MODELS

MODEL NUMBERS	
2001622A	2001621A

REF. NO.	REPLACEMENT PART DESCRIPTION	2001622A	2001621A
1	Wrapper Assembly	K000275	K000275
2	Draft Diverter Assembly	K000274	K000274
3	Combustion Chamber	8957	8957
4	Base Plate	K000265	K000265
5	Valve Bracket	K000850	K000850
6	Control Valve	P323011	P322660
7	Burner	K000851	K000851
8	Orifice Fitting (2)	P500086	P500086
9	Burner Orifice	P501781	P501800
10	Pilot	P323074	P323073
11	Thermocouple	P043800	P043800
12	Igniter Bracket	7A189	7A189
13	Vent Safety Switch	P323663	P323663
14	Wire Assembly	P500409	P500409
15	Manual Spark Igniter	P285500	P285500
16	Manifold Plate	K000852	K000852
17	Manifold Assembly	P323681	P323681
Thermostat not included with these models.			

EXPLODED VIEW & REPLACEMENT PARTS



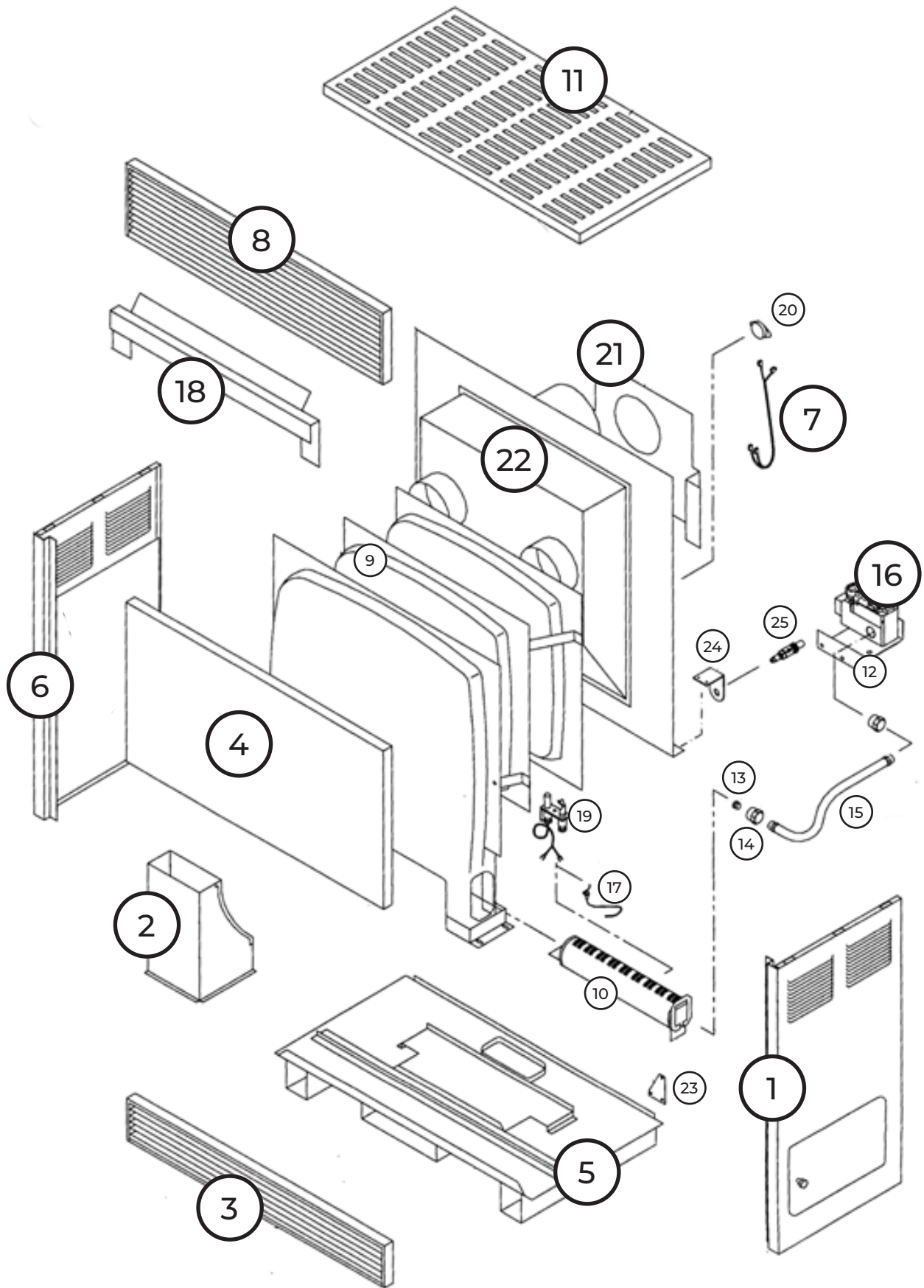
FURNACE ACCESSORY REPLACEMENT PARTS

350 / 500 / 650 MODELS

MODEL NUMBERS					
NATURAL					
3501522A	3501922A	5001522A	5001922A	6501522A	6501922A
PROPANE					
3501521A	3501921A	5001521A	5001921A	6501521A	6501921A

REF. NO.	REPLACEMENT PART DESCRIPTION	3501522A 3501922A	3501521A 3501921A	5001522A 5001922A	5001521A 5001921A	6501522A 6501922A	6501521A 6501921A
1	Panel Side Right	K000204	K000204	K000205	K000205	K000206	K000206
2	Inlet Duct	K7000-6022	K7000-6022	K7000-6022	K7000-6022	K7000-6022	K7000-6022
3	Bottom Louver Assembly	K000182-1	K000182-1	K000182-2	K000182-2	K000182-3	K000182-3
4	Center Panel	K000220	K000220	K000221	K000221	K000222	K000222
5	Cabinet Bottom	K5000-6003	K5000-6003	K5000-6004	K5000-6004	K5000-6019	K5000-6019
6	Panel Side Left	K000207	K000207	K000208	K000208	K000209	K000209
7	Wire Assembly	P500409	P500409	P500416	P500416	P500416	P500416
8	Top Louver Assembly	K000181	K000181	K000212-1	K000212-1	K000212-2	K000212-2
9	Combustion Chamber	8958	8958	8960	8960	8962	8962
10	Burner	P501620	P501620	P501621	P501621	P501622	P501622
11	Cabinet Top	K000223	K000223	K000224	K000224	K000225	K000225
12	Control Bracket	K000147	K000147	K000147	K000147	K000147	K000147
13	Orifice	P500336	P500351	P500330	P500330	P500327	P500327
14	Orifice Fitting	P500086	P500086	P500086	P500086	P500086	P500086
15	Manifold Assembly	P323678	P323678	P323679	P323679	P323680	P323680
16	Gas Control Valve	P323011	P322660	P323011	P322660	P323011	P322660
17	Thermocouple	P043801	P043801	P043801	P043801	P043801	P043801
18	Shield Cover	-	-	K7011-6030	K0711-6030	-	-
19	Pilot	P323074	P323073	P323074	P323073	P323074	P323073
20	Vent Safety Switch	P323663	P323663	P323664	P323664	P323664	P323664
21	Hear Shield (Rear)	K7003-6370	K7003-6370	K7003-6371	K7003-6371	K7003-6372	K7003-6372
22	Back Plate	K000309	K000309	K000310	K000310	K000526	K000526
23	Rear Corner race	K7003-6097	K7003-6097	K7003-6097	K7003-6097	K700-6097	K700-6097
24	Bracket	7A189	7A189	7A189	7A189	7A189	7A189
25	Manual Spark Igniter	P285500	P285500	P285500	P285500	P285500	P285500
Thermostat not included with these models.							

EXPLODED VIEW & REPLACEMENT PARTS

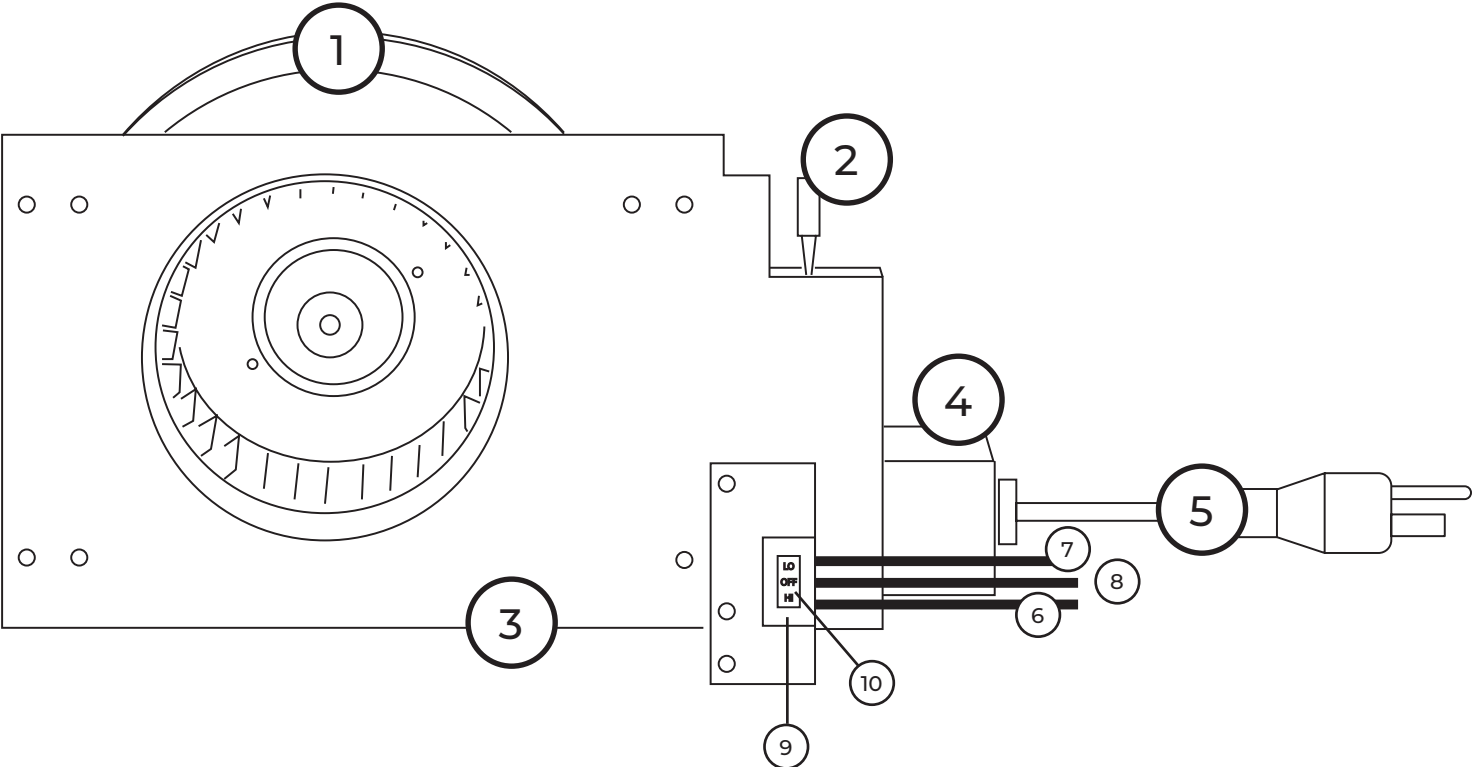


BLOWER ACCESSORY KIT 2102 FOR 350 / 500 / 650 MODELS

MODEL NUMBERS			
3501522A	3501922A	3501521A	3501921A
3502522A	3502922A	3502521A	3502921A
5001522A	5001922A	5001521A	5001921A
5002522A	5002922A	5002521A	5002921A
6501522A	6501922A	6501521A	6501921A
652522A	6502922A	6502521A	6502921A

REF. NO.	REPLACEMENT PART DESCRIPTION	PART NUMBER
1	Motor	P501779
2	Fan Switch	P323096
3	Fan Switch Plate	K000862
4	Junction Box	90-01005-000-02
5	Cord and Plug	P501778
6	Wire (Red)	P202900
7	Wire (Black)	P202800
8	Wire (Blue)	P202700
9	Speed Switch Plate	K000862
10	Speed Switch	P320911A
Not Shown	Switch Mounting Bracket – 500 Series	K000868
Not Shown	Switch Mounting Bracket – 650 Series	K000870

EXPLODED VIEW & REPLACEMENT PARTS



FURNACE ACCESSORY REPLACEMENT PARTS 450 / 600 MODELS

MODEL NUMBERS					
		4505622A	4505621A	6005622A	6005621A
REF. NO.	REPLACEMENT PART DESCRIPTION	4505622A	4505621A	6005622A	6005621A
1	Grill Floor	P322428	P322428	P322429	P322429
2	Inner Liner Assembly	4B0041	4B0041	4B0042	4B0042
3	Combustion Chamber	8964	8964	8965	8965
4	Outer Shield Assembly	4B0036	4B0036	4B0069	4B0069
5	Peep Hole Cover Assembly	12B40	12B40	12B40	12B40
6	Igniter	P285500	P285500	P285500	P285500
7	Limit Switch	P323031	P323031	P323031	P323031
8	Control Key	P322445	P322445	P322445	P322445
9	Control Rod	4A0037	4A0037	4A0037	4A0037
10	Lighter Rod	P322431	P322431	P322431	P322431
11	Control Valve Natural	P323177	–	P323177	–
	Control Valve Propane	–	P323178	–	P323178
12	Valve Bracket	4B0087	4B0087	4B0087	4B0087
13	Manifold Assembly	P323677	P323677	P323677	P323677
14	Pilot Natural	P501617	–	P501617	–
	Pilot Propane	–	P501618	–	P501618
15	Shield Burner	4B0014	4B0014	4B0010	4B0010
16	Burner	P323674	P323674	P323673	P323673
17	Gasket Flue Outlet	P322439	P322439	P322439	P322439
18	Drahtood Collar Assembly	4B80072	4B80072	4B0072	4B0072
19	Drahtood Assembly	4B0026	4B0026	4B0026	4B0026
20	Envelope Assembly	4A0024	4A0024	4A0024	4A0024
Thermostat not included with these models.					

EXPLODED VIEW & REPLACEMENT PARTS

