

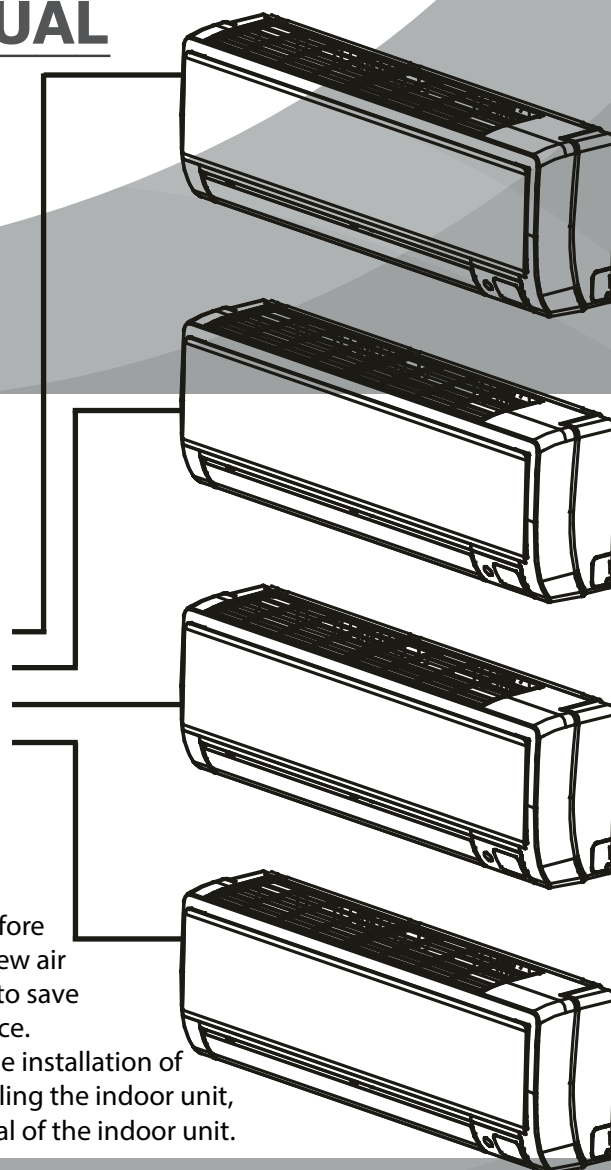
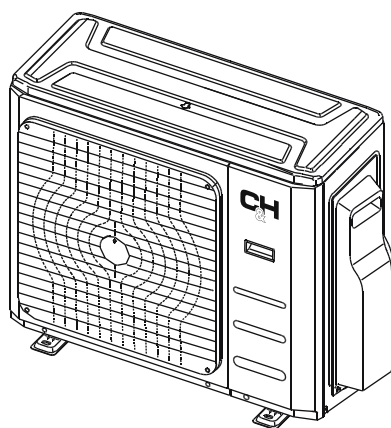
SOPHIA MULTI-ZONE INVERTER

**SPLIT AIR CONDITIONER
WITH HEAT PUMP**

INSTALLATION MANUAL

OUTDOOR UNIT

Models:
CH-18MSPH-230VO
CH-28MSPH-230VO
CH-36MSPH-230VO
CH-48MSPH-230VO



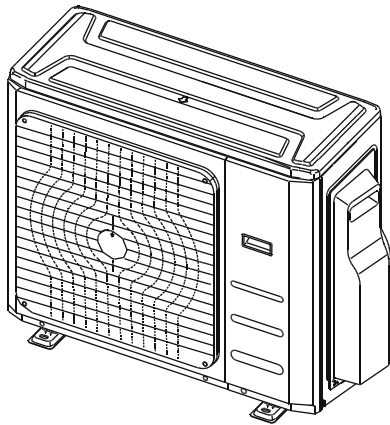
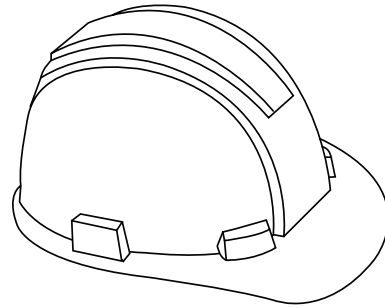
IMPORTANT NOTE:

- Read this manual carefully before installing or operating your new air conditioning unit. Make sure to save this manual for future reference.
- This manual only describes the installation of the outdoor unit. When installing the indoor unit, refer to the installation manual of the indoor unit.

Table of Contents

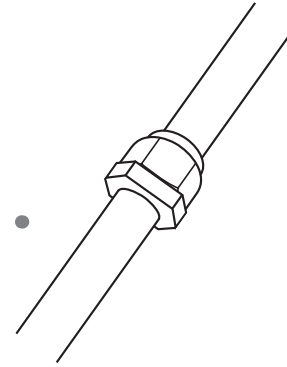
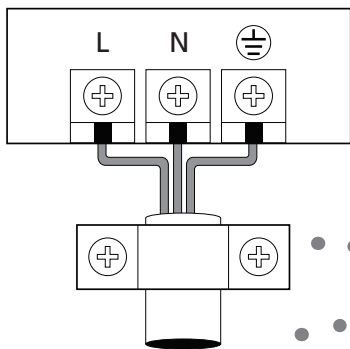
Installation Manual

1	Accessories	04
2	Safety Precautions	05
3	Installation Overview	06
4	Installation Diagram	07
5	Specifications	08



6	Outdoor Unit Installation	09
	A. Outdoor Unit Installation Instructions	09
	B. Drain Joint Installation	11
	C. Notes on Drilling the Hole in the Wall	11
	D. When Selecting a 24K Indoor Unit	11

7 Refrigerant Piping Connection 12



8 Wiring 14

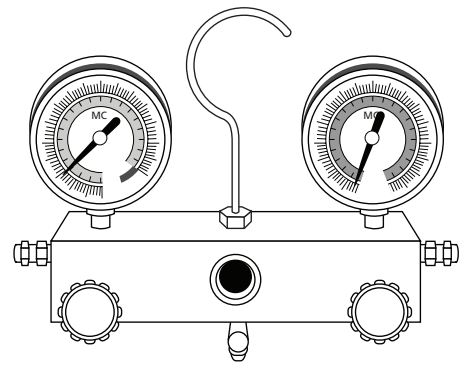
A. Outdoor Unit Wiring 14

B. Wiring Figure 16

9 Air Evacuation 20

A. Evacuation Instructions 20

B. Note on Adding Refrigerant 21





10 Test Run 22

11 Function of Automatic Wiring/Piping Correction 23

Accessories

1

The air conditioning system comes with the following accessories. Use all of the installation parts and accessories to install the air conditioner. Improper installation may result in water leakage, electrical shock, or fire, or cause the equipment to fail.

Name		Shape	Quantity
Installation plate			1
Plastic expansion sheath			5-8 (depending on the models)
Self-tapping screw AST3.9X25			5-8 (depending on the models)
Drain joint (some models)			1
Seal ring (some models)			1
Connecting pipe assembly	Liquid side	Ø 6.35	Parts you must purchase (consult your technician for the proper size)
		Ø 9.52	
	Gas side	Ø 9.52	
		Ø 12.7	
		Ø 15.9	
User's manual			1
Installation manual			1
Transfer connector (packed with the indoor unit or outdoor unit, depending on the model) (NOTE: Pipe sizes differ from appliance to appliance. To meet different pipe size requirements, sometimes a transfer connector must be installed on the outdoor unit.)			Optional part (one piece per indoor unit) Optional part (1-5 pieces per outdoor unit, depending on the model)
Magnetic ring (After installation, hitch this on the connective cable between the indoor and outdoor units.)			Optional part (One piece per cable)
Cord protection rubber ring (If the cord clamp cannot fasten the cord because the cord is too small, wrap the cord protection rubber ring (supplied with the accessories) around the cord. Then fix it with the cord clamp.)			1 (on some models)

Optional Accessories

There are two types of remote controls: wired and wireless. Select a remote control according to the customer's request and install it in an appropriate place. To select a suitable remote control, refer to catalogues and technical literature.

Read safety precautions before installation

Incorrect installation due to ignoring instructions can cause serious damage or injury. The seriousness of potential damage or injuries is classified as either a **WARNING** or **CAUTION**.



WARNING

Failure to observe a warning may result in death. The appliance must be installed in accordance with national regulations.



CAUTION

Failure to observe a caution may result in injury or equipment damage.

WARNING

- Carefully read the safety precautions before installation.
- In certain functional environments, such as kitchens, server rooms, etc., the use of specially designed air-conditioning units is highly recommended.
- Only trained and certified technicians should install, repair, and service this air conditioning unit.
- Improper installation may result in electrical shock, short circuit, leaks, fire, or other damage to equipment and personal property.
- Strictly follow the installation instructions set forth in this manual.
- Before you install the unit, consider strong winds, typhoons, and earthquakes that might affect your unit and locate it accordingly. Failure to do so could cause damage to the unit.
- After installation, ensure there are no refrigerant leaks and that the unit is operating properly. Refrigerant is toxic and flammable and poses a serious health and safety risk.

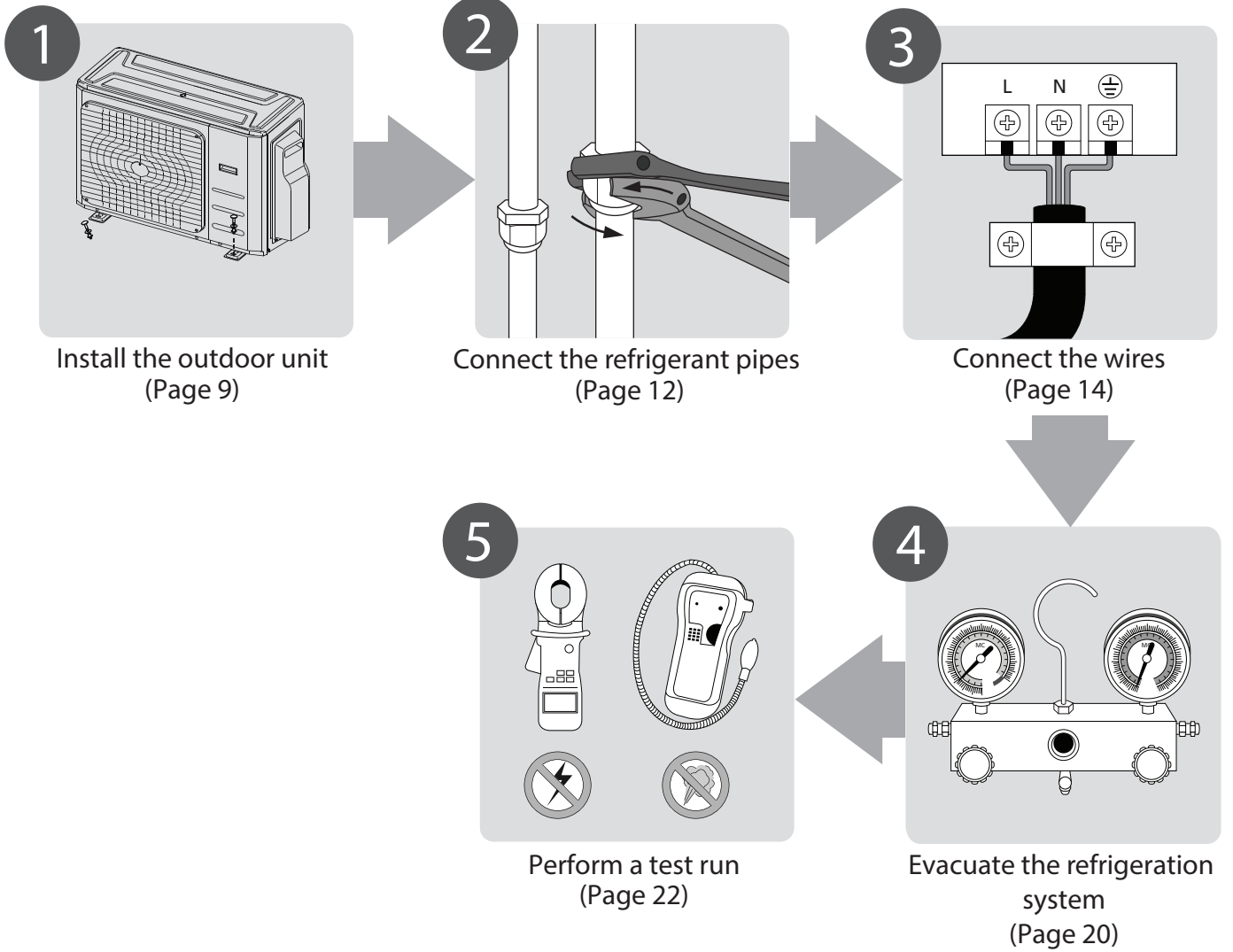
Note about Fluorinated Gasses

1. This air conditioning unit contains fluorinated gasses. For specific information on the type of gas and the amount, please refer to the relevant label on the unit itself.
2. Installation, service, maintenance, and repair of this unit must be performed by a certified technician.
3. Product uninstallation and recycling must be performed by a certified technician.
4. If the system has a leak-detection system installed, it must be checked for leaks at least every 12 months.
5. When the unit is checked for leaks, proper record-keeping of all checks is strongly recommended.

Installation Overview

3

INSTALLATION ORDER



Installation Diagram

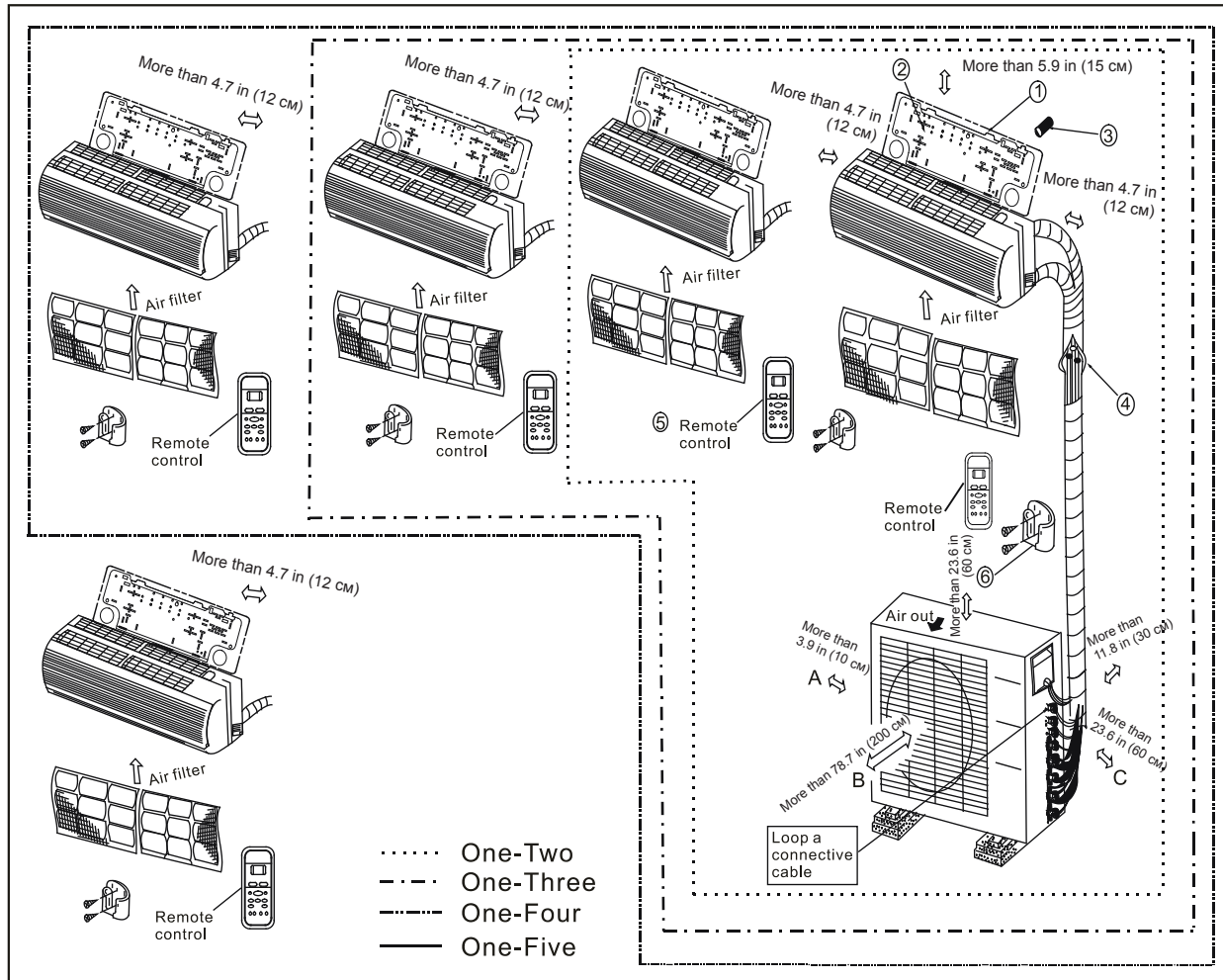


Fig. 4.1

Safety Precautions

⚠ CAUTION

- This illustration is for explanation purposes only. The actual shape of your air conditioner may be slightly different.
- Copper lines must be insulated independently.

⚠ CAUTION

- To prevent unnecessary damage to the wall, use a stud finder to locate studs.
- A minimum pipe run of 9.8 ft (3 m) is required to minimize vibration and excessive noise.
- Two of the A, B, and C directions should be free from obstructions.

Table 5.1

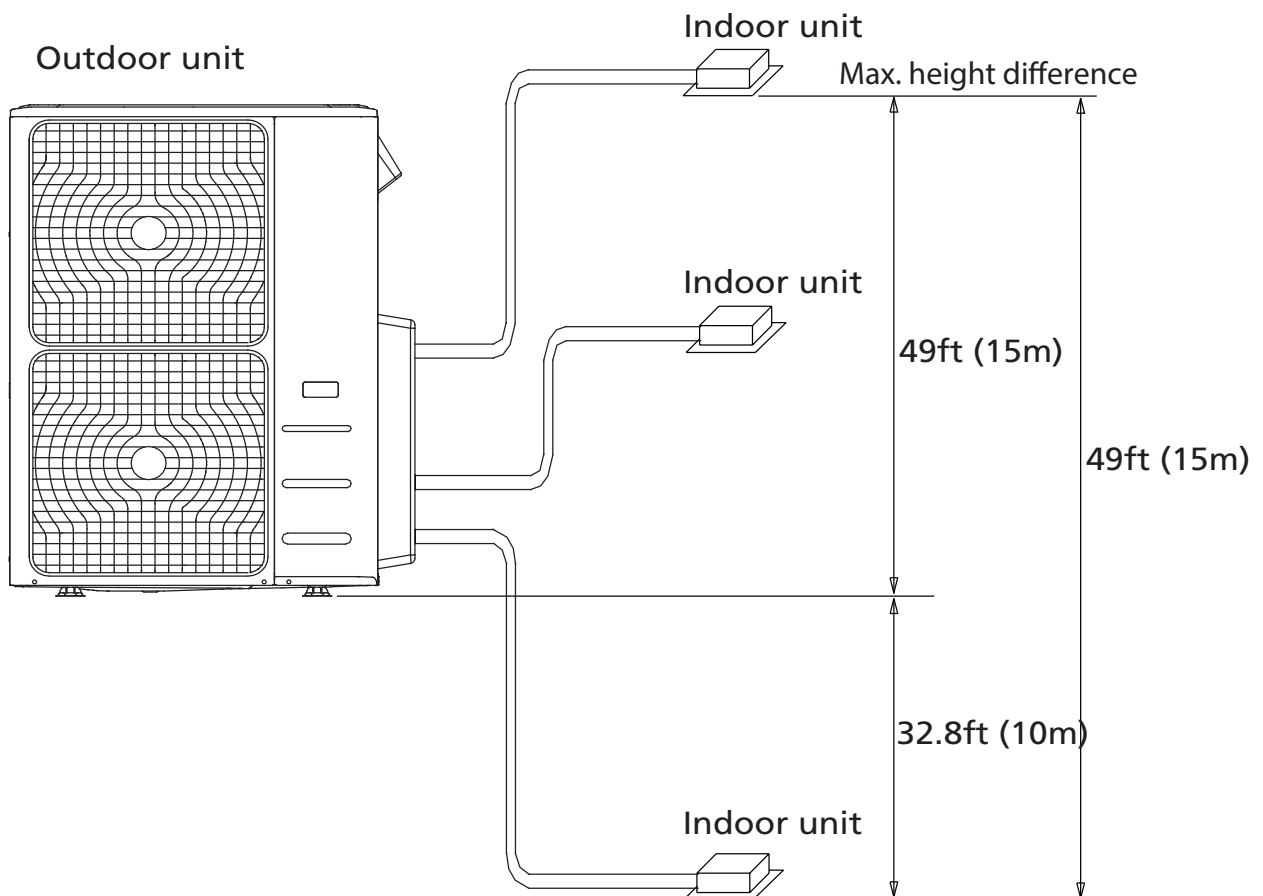
Indoor units that can be used in combination	Number of connected units	1-5 units
Compressor stop/start frequency	Stop time	3 minutes or more
Power source voltage	Voltage fluctuation	within $\pm 10\%$ of rated voltage
	Voltage drop during start	within $\pm 15\%$ of rated voltage
	Interval unbalance	within $\pm 3\%$ of rated voltage

Table 5.2

Unit: ft/m

		1 drive 2	1 drive 3	1 drive 4	1 drive 5
Max. length for all rooms		98.4/30	147.6/45	196.8/60	246/75
Max. length for one indoor unit		65.6/20	82/25	98.4/30	98.4/30
Max. height different between indoor and outdoor unit	OU higher than IU	32.8/10	32.8/10	32.8/10	32.8/10
	OU lower than IU	49/15	49/15	49/15	49/15
Max. height difference between indoor units		32.8/10	32.8/10	32.8/10	32.8/10

When installing multiple indoor units to a single outdoor unit, ensure that the length of the refrigerant pipe and the drop height between the indoor and outdoor units meet the following requirements:



Outdoor Unit Installation Instructions

Step 1: Select installation location

When choosing a location to install the outdoor unit, consider the following:

- ☑ Place the outdoor unit as close to the indoor unit as possible.
- ☑ Ensure that there is enough room for installation and maintenance.
- ☑ The air inlet and outlet must not be obstructed or exposed to strong wind.
- ☑ Ensure the location of the unit will not be subject to snowdrifts, accumulation of leaves, or other seasonal debris. If possible, provide an awning for the unit. Ensure the awning does not obstruct airflow.
- ☑ The installation area must be dry and well ventilated.
- ☑ There must be enough room to install the connecting pipes and cables and to access them for maintenance.

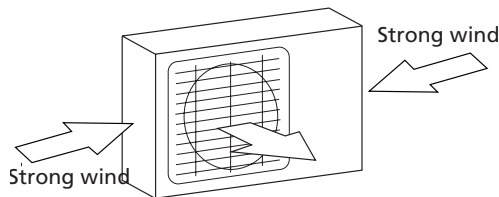


Fig. 6.1

- ☑ The area must be free of combustible gases and chemicals.
- ☑ The pipe length between the outdoor and indoor units must not exceed the maximum allowable pipe length.
- ☑ If possible, **DO NOT** install the unit where it will be exposed to direct sunlight.
- ☑ If possible, make sure the unit is located far away from your neighbors' property so that the noise from the unit will not disturb them.
- ☑ If the location is exposed to strong winds (for example, near a seaside), place the unit against the wall to shelter it from the wind. If necessary, use an awning (see Fig. 6.1 & 6.2).
- ☑ Install the indoor and outdoor units, cables, and wires at least 1 meter from televisions or radios to prevent static or image distortion. Depending on the radio waves, a 39.3 in (1 meter) distance may not be enough to eliminate all interference.

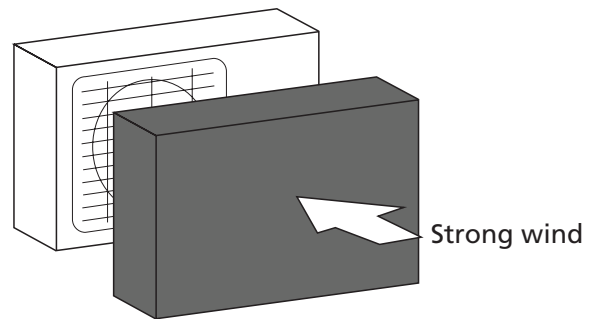


Fig. 6.2

Step 2: Install outdoor unit

Fix the outdoor unit with anchor bolts (M10)

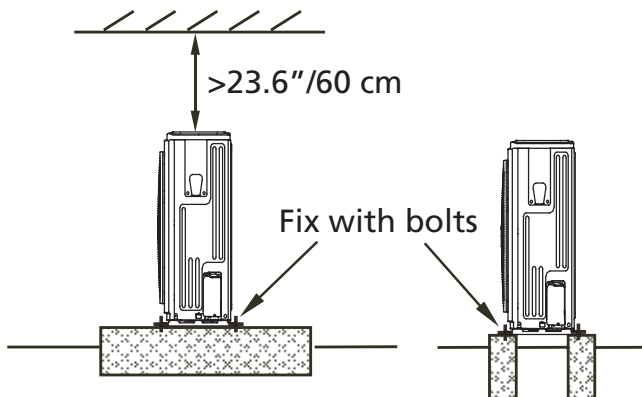


Fig. 6.3

! CAUTION

- Be sure to remove any obstacles that may block air circulation.
- Be sure to refer to Length Specifications to ensure there is enough room for installation and maintenance.

Split Type Outdoor Unit
(Refer to Fig 6.4, 6.5, 6.6, 6.10, and Table 6.1)

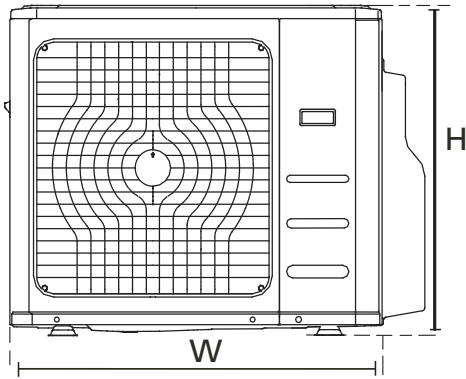


Fig. 6.4

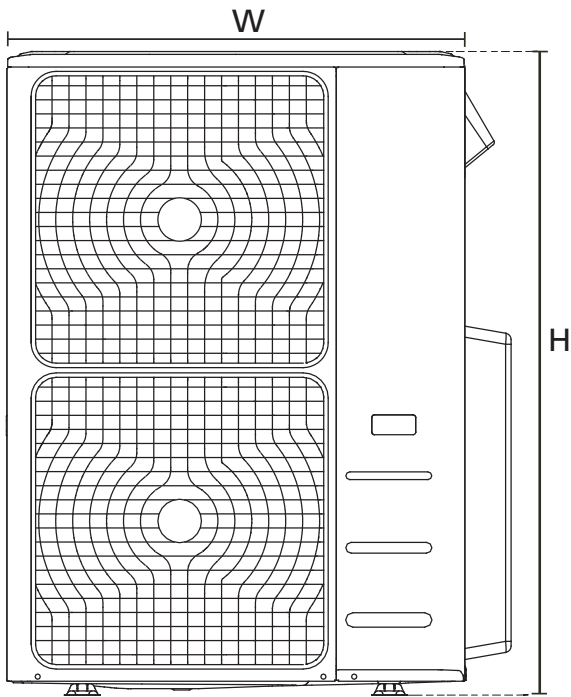


Fig. 6.5

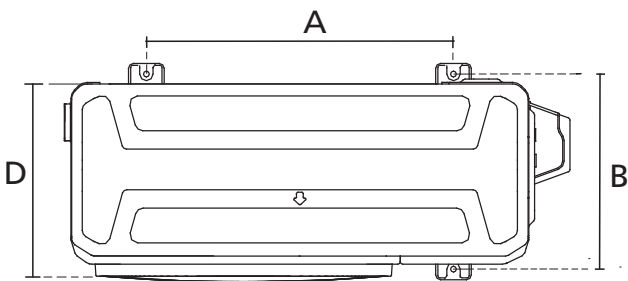


Fig. 6.6

Table 6.1: Length Specifications of Split Type Outdoor Unit (unit: inch/mm)

Outdoor Unit Dimensions W x H x D	Mounting Dimensions	
	Distance A	Distance B
760 x 590 x 285 (29.9 x 23.2 x 11.2)	20.85 (530)	11.4 (290)
810 x 558 x 310 (31.9 x 22 x 12.2)	21.6 (549)	12.8 (325)
845 x 700 x 320 (33.27 x 27.5 x 12.6)	22 (560)	13.2 (335)
900 x 860 x 315 (35.4 x 33.85 x 12.4)	23.2 (590)	13.1 (333)
945 x 810 x 395 (37.2 x 31.9 x 15.55)	25.2 (640)	15.95 (405)
990 x 965 x 345 (38.98 x 38 x 13.58)	24.58 (624)	14.4 (366)
938 x 1369 x 392 (36.93 x 53.9 x 15.43)	24.96 (634)	15.9 (404)
900 x 1170 x 350 (35.4 x 46 x 13.8)	23.2 (590)	14.88 (378)
800 x 554 x 333 (31.5 x 21.8 x 13.1)	20.24 (514)	13.39 (340)
845 x 702 x 363 (33.27 x 27.6 x 14.3)	21.26 (540)	13.8 (350)
946 x 810 x 420 (37.2 x 31.9 x 16.53)	26.5 (673)	15.87 (403)
946 x 810 x 410 (37.2 x 31.9 x 16.14)	26.5 (673)	15.87 (403)
952 x 1333 x 410 (37.5 x 52.5 x 16.14)	24.96 (634)	15.9 (404)
952 x 1333 x 415 (37.5 x 52.5 x 16.14)	24.96 (634)	15.9 (404)

NOTE: The minimum distance between the outdoor unit and walls described in the installation guide does not apply to airtight rooms. Be sure to keep the unit unobstructed in at least two of the three directions (M, N, and P) (see Fig. 6.7).

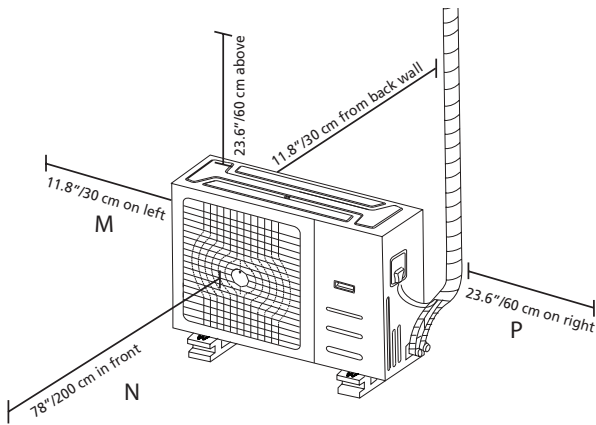


Fig. 6.7

Drain Joint Installation

Before bolting the outdoor unit in place, install the drain joint at the bottom of the unit. (See Fig. 6.8)

1. Fit the rubber seal on the end of the drain joint that will connect to the outdoor unit.
2. Insert the drain joint into the hole in the base pan of the unit.
3. Rotate the drain joint 90° until it clicks in place facing the front of the unit.
4. Connect a drain hose extension (not included) to the drain joint to redirect water from the unit during heating mode.

NOTE: Make sure the water drains to a safe location where it will not cause water damage or a slipping hazard.

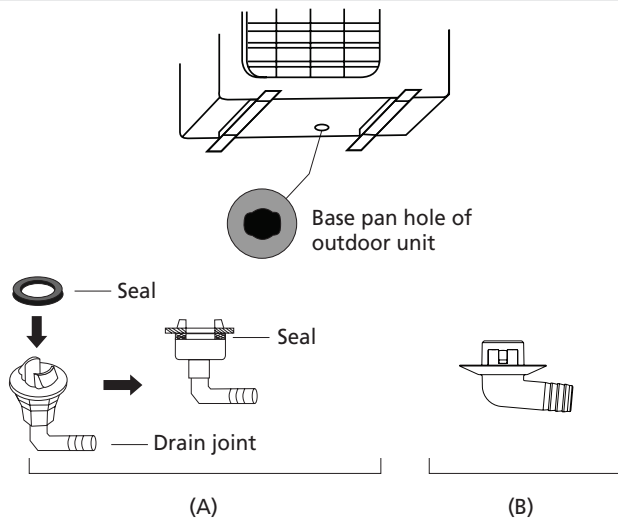


Fig. 6.8

Notes on Drilling the Hole in the Wall

You must drill a hole in the wall for the refrigerant piping and the signal cable that will connect the indoor and outdoor units.

1. Determine the location of the wall hole based on the location of the outdoor unit.
2. Using a 2.5" (65 mm) core drill, drill a hole in the wall.

NOTE: When drilling the wall hole, make sure to avoid wires, plumbing, and other sensitive components.

3. Place the protective wall cuff in the hole. This will protect the edges of the hole and will help seal it when you finish the installation process.

When Selecting a 24K Indoor Unit

The 24K indoor unit can only be connected with an A system. If there are two 24K indoor units, they can be connected with an A and B system (see Fig. 6.9).

Table 6.2: Connective pipe size of an A and B system (unit: inch)

Indoor Unit capacity (Btu/h)	Liquid	Gas
7K/9K/12K	1/4	3/8
12K/18K	1/4	1/2
24K	3/8	5/8

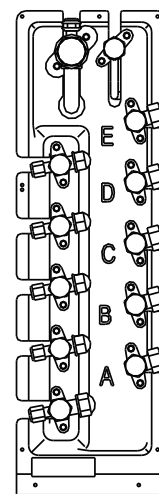


Fig. 6.9

Refrigerant Piping Connection

7

Safety Precautions

! WARNING

- All field piping must be completed by a licensed technician and must comply with local and national regulations.
- When the air conditioner is installed in a small room, measures must be taken to prevent the refrigerant concentration in the room from exceeding the safety limit in the event of refrigerant leakage. If the refrigerant leaks and its concentration exceeds its proper limit, hazards due to lack of oxygen may result.
- When installing the refrigeration system, ensure that air, dust, moisture, or foreign substances do not enter the refrigerant circuit. Contamination in the system may cause poor operating capacity, high pressure in the refrigeration cycle, explosion, or injury.
- Ventilate the area immediately if there is refrigerant leakage during the installation. Leaked refrigerant gas is both toxic and flammable. Ensure there is no refrigerant leakage after completing the installation work.

Refrigerant Piping Connection Instructions

! CAUTION

- The branching pipe must be installed horizontally. An angle of more than 10° may cause malfunction.
- **DO NOT** install the connecting pipe until both the indoor unit and the outdoor unit have been installed.
- Insulate the gas and liquid piping to prevent water leakage.

Step 1: Cut pipes

When preparing refrigerant pipes, take extra care to cut and flare them properly. This will ensure efficient operation and minimize the need for future maintenance.

1. Measure the distance between the indoor and outdoor units.
2. Using a pipe cutter, cut the pipe a little longer than the measured distance.

! CAUTION

DO NOT deform pipe while cutting. Be extra careful not to damage, dent, or deform the pipe while cutting. This will drastically reduce the heating efficiency of the unit.

1. Make sure the pipe is cut at a perfect 90° angle. Refer to Fig. 7.1 for examples of bad cuts.

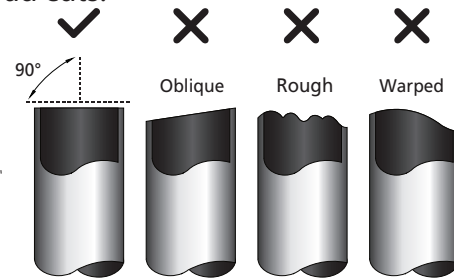


Fig. 7.1

Step 2: Remove burrs

Burrs can affect the air-tight seal of the refrigerant piping connection. They must be completely removed.

1. Hold the pipe at a downward angle to prevent burrs from falling into the pipe.
2. Using a reamer or deburring tool, remove all burrs from the cut section of the pipe.

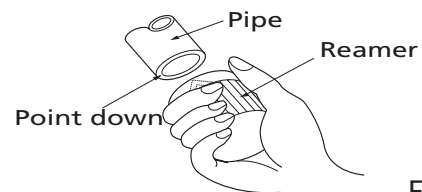


Fig. 7.2

Step 3: Flare pipe ends

Proper flaring is essential to achieve an airtight seal.

1. After removing burrs from the cut pipe, seal the ends with PVC tape to prevent foreign materials from entering the pipe.
2. Sheath the pipe with insulating material.
3. Place flare nuts on both ends of the pipe. Make sure they are facing in the right direction because you can't put them on or change their direction after flaring (see Fig. 7.3).

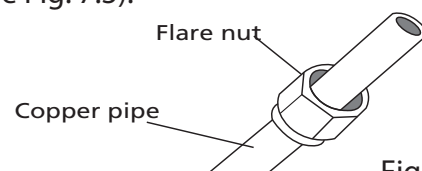


Fig. 7.3

- Remove the PVC tape from the ends of the pipe when you're ready to perform the flaring work.
- Clamp the flare form on the end of the pipe. The end of the pipe must extend beyond the flare form.

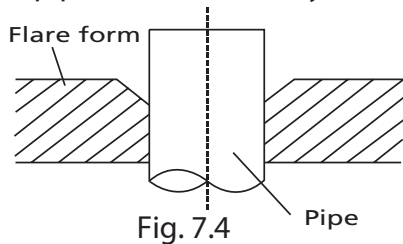


Fig. 7.4

- Place the flaring tool onto the form.
- Turn the handle of the flaring tool clockwise until the pipe is fully flared. Flare the pipe in accordance with the dimensions shown in table 7.1.

Table 7.1: PIPING EXTENSION BEYOND FLARE FORM

Pipe gauge	Tightening torque	Flare dimension (A) (Unit: in/mm)		Flare shape
		Min.	Max.	
Ø 6.4	14.2-17.2 N.m (144-176 kgf.cm)	0.3/8.3	0.3/8.3	
Ø 9.5	32.7-39.9 N.m (333-407 kgf.cm)	0.48/12.4	0.48/12.4	
Ø 12.7	49.5-60.3 N.m (504-616 kgf.cm)	0.6/15.4	0.6/15.8	
Ø 15.9	61.8-75.4 N.m (630-770 kgf.cm)	0.7/18.6	0.74/19	
Ø 19.1	97.2-118.6 N.m (990-1210 kgf.cm)	0.9/22.9	0.91/23.3	
Ø 22	109.5-133.7 N.m (1117-1364 kgf.cm)	1.06/27	1.07/27.3	

- Remove the flaring tool and flare form, then inspect the end of the pipe for cracks and even flaring.

Step 4: Connect pipes

Connect the copper pipes to the indoor unit first, then connect them to the outdoor unit. First connect the low-pressure pipe, then the high-pressure pipe.

- When connecting the flare nuts, apply a thin coat of refrigeration oil to the flared ends of the pipes.
- Align the center of the two pipes that you will connect.

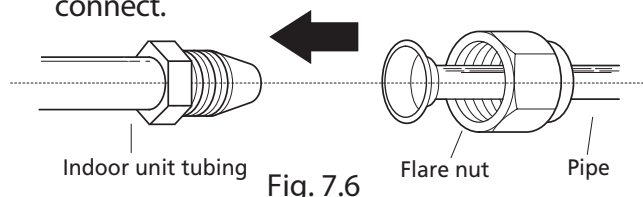


Fig. 7.6

- Tighten the flare nut as tightly as possible by hand.
- Using a spanner, grip the nut on the unit tubing.
- While firmly gripping the nut, use a torque wrench to tighten the flare nut according to the torque values in table 7.1.

NOTE: Use both a spanner and a torque wrench when connecting or disconnecting pipes to/from the unit.

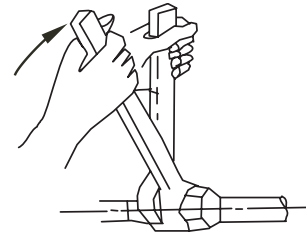


Fig. 7.7

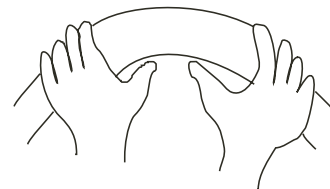
CAUTION

- Be sure to wrap insulation around the piping. Direct contact with the bare piping may result in burns or frostbite.
- Make sure the pipe is properly connected. Over tightening may damage the bell mouth and under tightening may lead to leakage.

NOTE ON MINIMUM BEND RADIUS

Carefully bend the tubing in the middle according to the diagram below. **DO NOT** bend the tubing more than 90° or more than 3 times.

Bend the pipe with your thumb



min. radius 10 cm (3.9")

Fig. 7.8

- After connecting the copper pipes to the indoor unit, wrap the power cable, signal cable, and piping together with binding tape.

NOTE: When bundling these items together, do not intertwine or cross the signal cable with any other wiring.

- Thread this pipeline through the wall and connect it to the outdoor unit.
- Insulate all the piping, including the valves of the outdoor unit.
- Open the stop valves of the outdoor unit to start the flow of the refrigerant between the indoor and outdoor units.

CAUTION

After completing the installation work, make sure there is no refrigerant leak. If there is, ventilate the area immediately and evacuate the system (refer to the Air Evacuation section of this manual).

Safety Precautions

WARNING

- Be sure to disconnect the power supply before working on the unit.
- All electrical wiring must be done according to local and national regulations.
- Electrical wiring must be done by a qualified technician. Improper connections may cause electrical malfunction, injury, and fire.
- An independent circuit and single outlet must be used for this unit. **DO NOT** plug another appliance or charger into the same outlet. If the electrical circuit capacity is not enough or there is a defect in the electrical work, it can lead to shock, fire, and unit and property damage.
- Connect the power cable to the terminals and fasten it with a clamp. An insecure connection may cause a fire.
- Make sure that all wiring is done correctly and the control board cover is properly installed. Failure to do so can cause overheating at the connection points, fire, and electrical shock.
- Ensure that the main supply connection is made through a switch that disconnects all poles, with a contact gap of at least 0.118 in (3 mm).
- **DO NOT** modify the length of the power cord or use an extension cord.

CAUTION

- Connect the outdoor wires before connecting the indoor wires.
- Make sure to ground the unit. The grounding wire should be away from gas pipes, water pipes, lightning rods, telephone wires, or other grounding wires. Improper grounding may cause electrical shock.
- **DO NOT** connect the unit with the power source until all wiring and piping is completed.
- Make sure that you do not cross your electrical wiring with your signal wiring, as this can cause distortion and interference.

Follow these instructions to prevent distortion when the compressor starts:

- The unit must be connected to the main outlet. Normally, the power supply must have a low output impedance of 32 ohms.
- No other equipment should be connected to the same power circuit.
- The unit's power information can be found on the rating sticker on the product.

Outdoor Unit Wiring

WARNING

Before performing any electrical or wiring work, turn off the main power to the system.

1. Prepare the cable for connection
 - A. First choose the right cable size. Be sure to use H07RN-F cables.

Table 8.1: Minimum Cross-Sectional Area of Power and Signal Cables North America

Rated Current of Appliance (A)	AWG
≤ 7	18
7 - 13	16
13 - 18	14
18 - 25	12
25 - 30	10

Table 8.2: Other Regions

Rated Current of Appliance (A)	Nominal Cross-Sectional Area (mm ²)
≤ 6	0.75
6 - 10	1
10 - 16	1.5
16 - 25	2.5
25 - 32	4
32 - 45	6

- B. Using wire strippers, strip the rubber jacket from both ends of the signal cable to reveal about 5.9 in (15 cm) of the wires inside.
- C. Strip the insulation from the ends of the wires.
- D. Using a wire crimper, crimp u-lugs on the ends of the wires.

NOTE: While connecting the wires, please strictly follow the wiring diagram (found inside the electrical box cover).

- 2. Remove the electric cover of the outdoor unit. If there is no cover on the outdoor unit, disassemble the bolts from the maintenance board and remove the protection board (see Fig. 8.1).

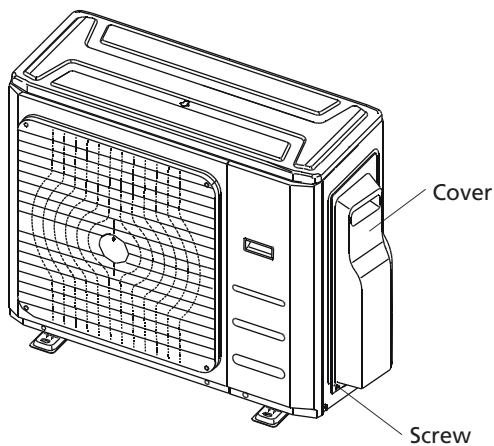


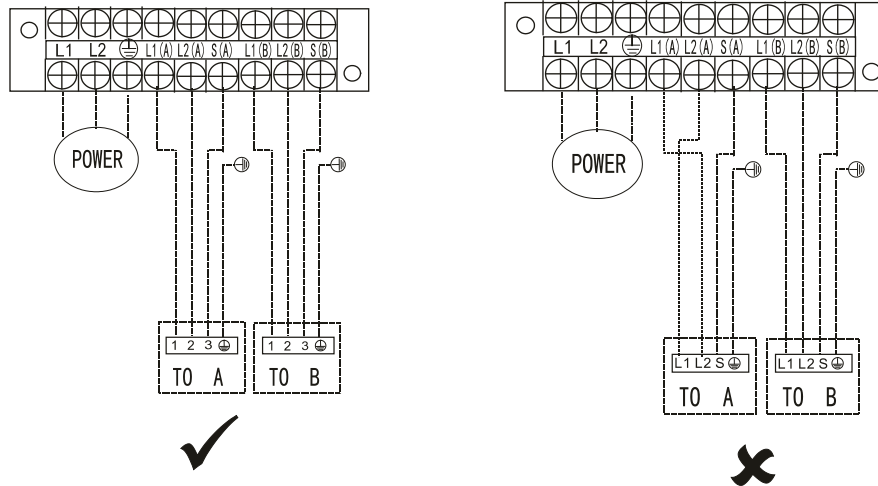
Fig. 8.1

- 3. Connect the u-lugs to the terminals. Match the wire colors/labels with the labels on the terminal block, then firmly screw the u-lug of each wire to its corresponding terminal.
- 4. Clamp down the cable with the designated cable clamp.

- 5. Insulate unused wires with electrical tape. Keep them away from any electrical or metal parts.
- 6. Reinstall the cover of the electric control box.

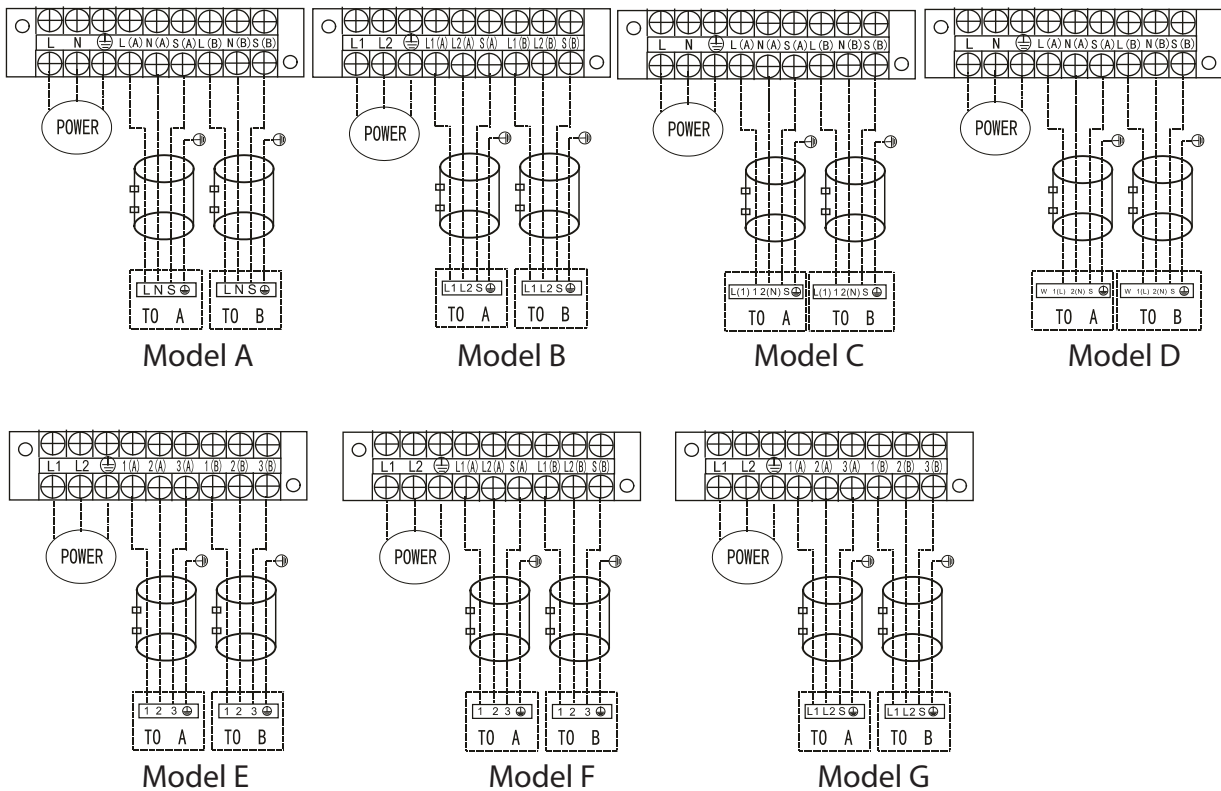
CAUTION

Connect the connective cables to the terminals as identified with their respective matched numbers on the terminal block of the indoor and outdoor units. For example, see the following US models: Terminal L1(A) on the outdoor unit must connect with terminal L1 on the indoor unit.



NOTE: If the client wants to perform the wiring himself, refer to the following figures. Run the main power cord through the lower line-outlet of the cord clamp.

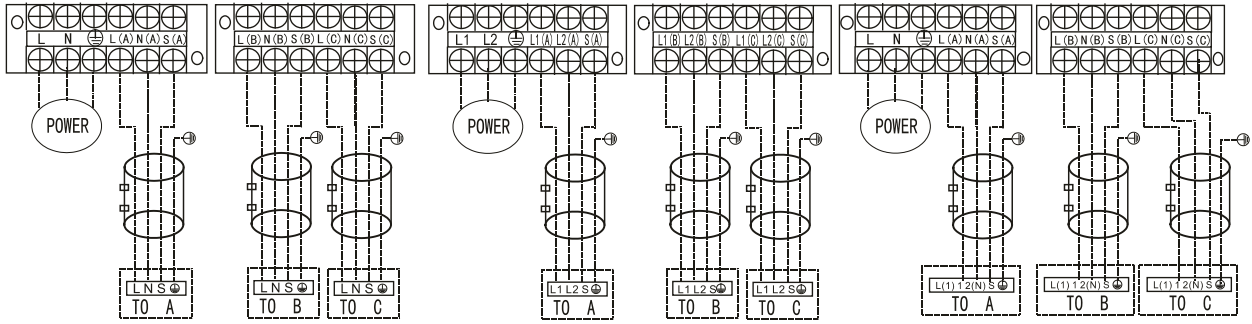
One-two models:



Magnetic ring (not supplied, optional part)
(Used to hitch to the connective cable of the indoor and outdoor units after installation.)

NOTE: If the client wants to perform the wiring himself, refer to the following figures.

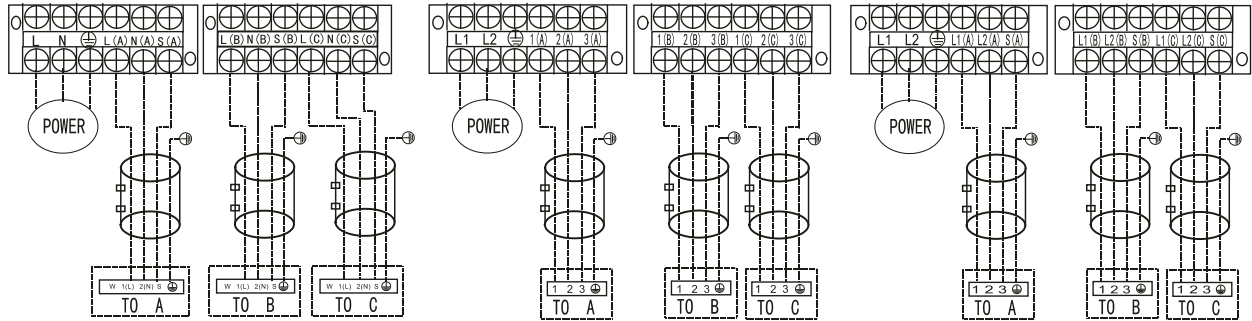
One-three models:



Model A

Model B

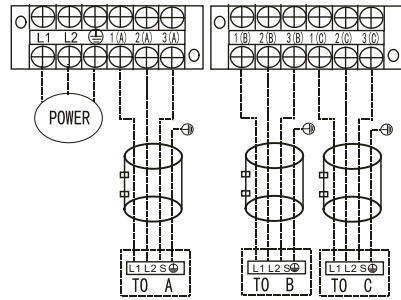
Model C



Model D

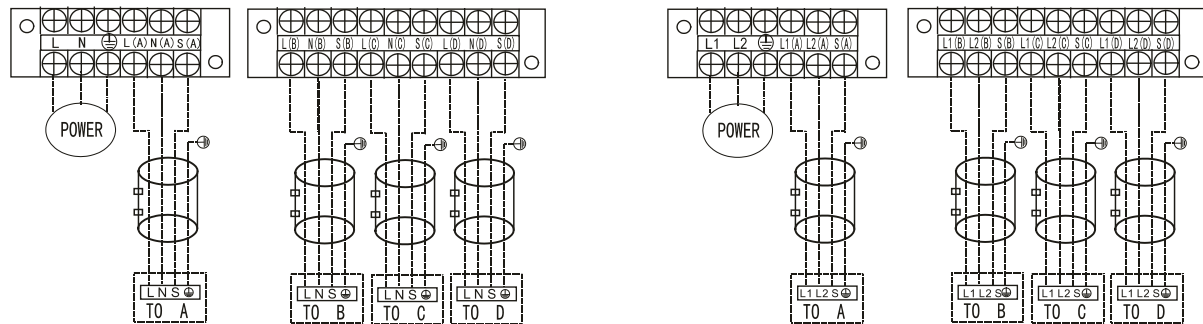
Model E

Model F



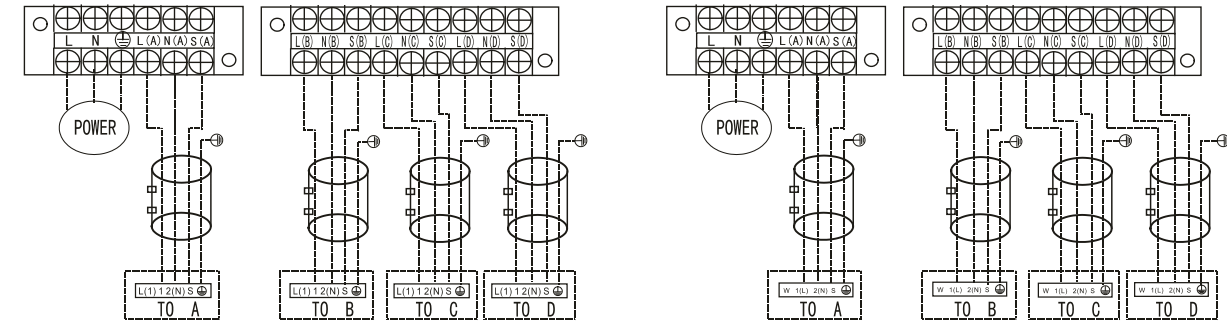
Model G

One-four models:



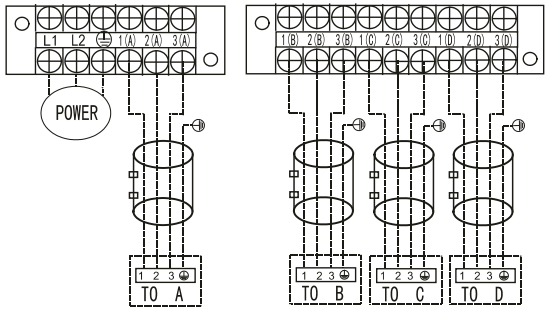
Model A

Model B

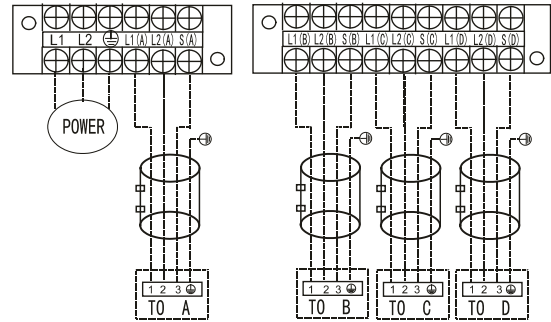


Model C

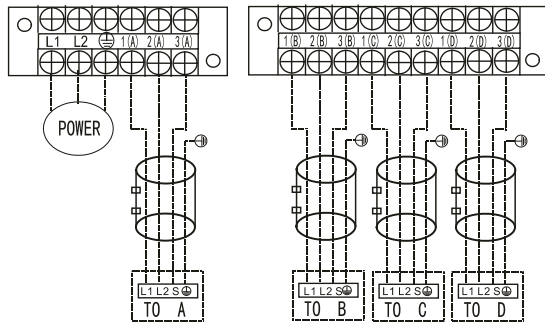
Model D



Model E

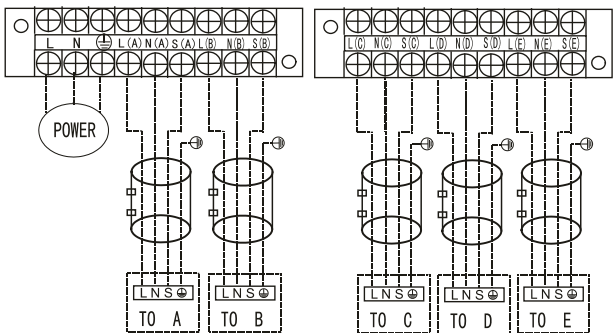


Model F

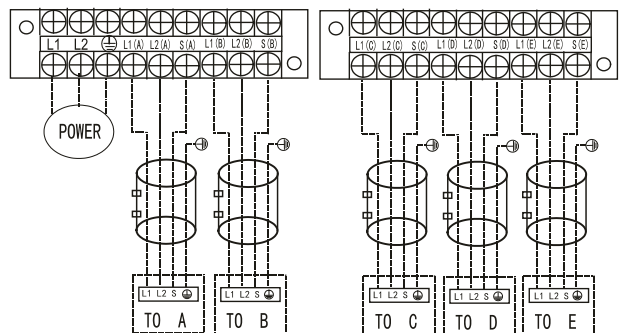


Model G

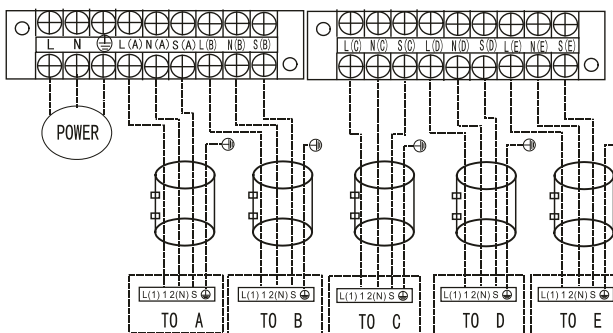
One-five models:



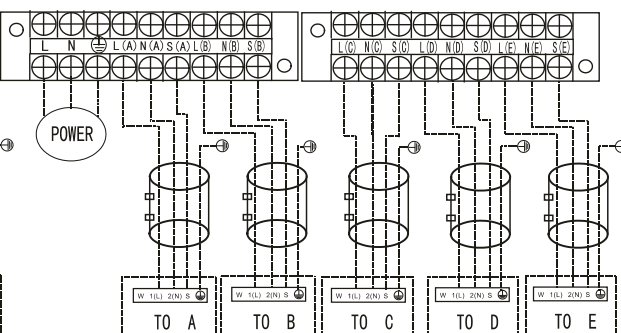
Model A



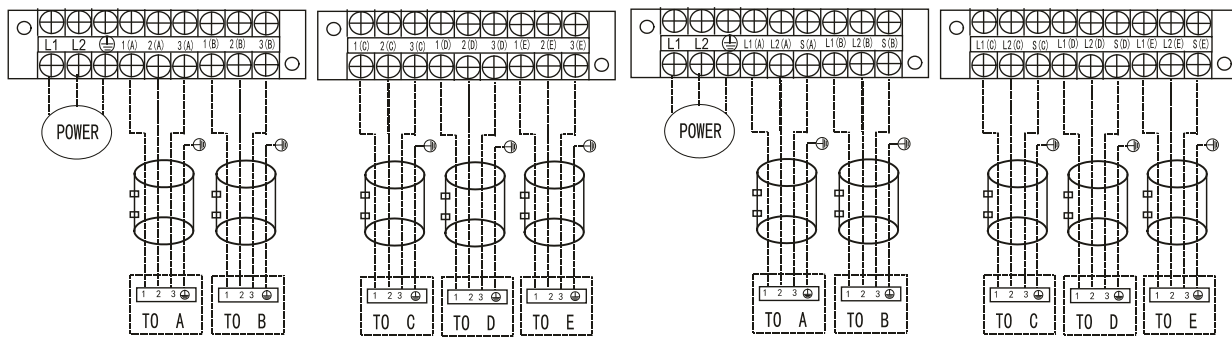
Model B



Model C

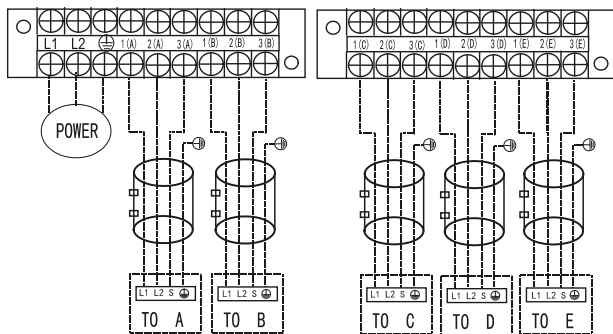


Model D



Model E

Model F



Model G

! CAUTION

After the confirmation of the above conditions, prepare the wiring as follows:

- Never fail to delegate an individual power circuit specifically for the air conditioner. For the method of wiring, use the circuit diagram posted on the inside of the control cover as a guide.
- The screws which fastens the wiring in the casing of electrical fittings are liable to come loose from vibrations to which the unit will be subjected during the course of transportation. Check to make sure they are all tightly fastened. (If they are loose, the wires could burn out.)
- Specification of power source.
- Confirm that the electrical capacity is sufficient.
- See that the starting voltage is maintained at more than 90 percent of the rated voltage marked on the name plate.
- Confirm that the cable thickness is as specified in the power source specification.
- Always install an earth leakage circuit breaker in a wet or moist area.
- The following could be caused by a voltage drop: The vibration of a magnetic switch (which will damage the contact point), the breakage of a fuse, or the disturbance of the normal function of the overload.
- The means for disconnection from a power supply must be incorporated in the fixed wiring and have an air gap contact separation of at least 0.12 in (3 mm) in each active (phase) conductor.
- Before terminals are accessed, all supply circuits must be disconnected.

Safety Precautions

CAUTION

- Use a vacuum pump with a gauge reading lower than -0.1 MPa and an air discharge capacity above 40 L/min.
- The outdoor unit does not need vacuuming. **DO NOT** open the outdoor unit's gas and liquid stop valves.
- Ensure that the compound meter reads -0.1 MPa or below after 2 hours. If after 3 hours of operation the gauge reading is still above -0.1 MPa, check if there is a gas leak or water inside the pipe. If there is no leakage, perform another evacuation for 1 or 2 hours.
- **DO NOT** use refrigerant gas to evacuate the system.

Evacuation Instructions

Before using the manifold gauge or vacuum pump, read their operation manuals to familiarize yourself with how to use them properly.

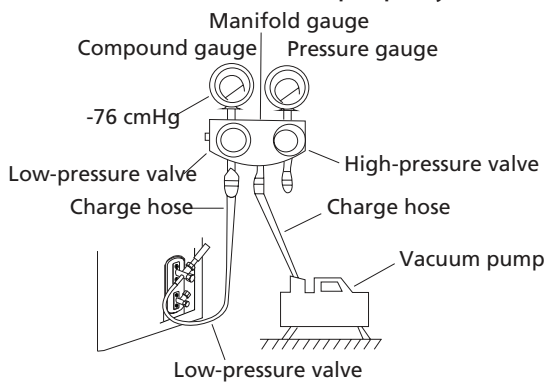


Fig. 9.1

1. Connect the charge hose of the manifold gauge to the service port on the outdoor unit's low-pressure valve.
2. Connect another charge hose from the manifold gauge to the vacuum pump.
3. Open the low-pressure side of the manifold gauge. Keep the low-pressure side closed.
4. Turn on the vacuum pump to evacuate the system.
5. Run the vacuum for at least 15 minutes, or until the compound meter reads -76 cmHG (-1x105 Pa).
6. Close the low-pressure side of the manifold gauge and turn off the vacuum pump.
7. Wait 5 minutes, then check that there has been no change in the system pressure.

NOTE: If there is no change in the system pressure, unscrew the cap from the packed valve (high-pressure valve). If there is a change in the system pressure, there may be a gas leak.

8. Insert a hexagonal wrench into the packed valve (high-pressure valve) and open the valve by turning the wrench counterclockwise a 1/4 turn. Listen for gas to exit the system, then close the valve after 5 seconds.

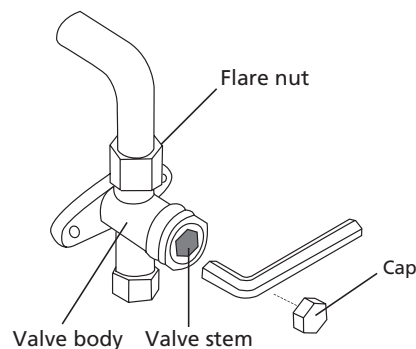


Fig. 9.2

9. Watch the Pressure Gauge for one minute to make sure that there is no change in pressure. The pressure gauge should read slightly higher than atmospheric pressure.
10. Remove the charge hose from the service port.
11. Using a hexagonal wrench, fully open both the high-pressure and high-pressure valves.

OPEN VALVE STEMS GENTLY

When opening valve stems, turn the hexagonal wrench until it hits against the stopper. **DO NOT** try to force the valve to open further.

12. Tighten the valve caps by hand, then tighten them using the proper tool.
13. If the outdoor unit uses all vacuum valves, and the vacuum position is at the main valve, the system is not connected with the indoor unit and must be tightened with a screw nut. Check the gas leakage before operation to prevent leakage.

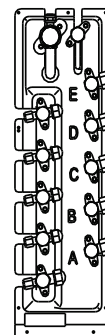


Fig. 9.3

Note on Adding Refrigerant

! CAUTION

- Refrigerant charging must be performed after wiring, vacuuming, and the leak test.
- **DO NOT** exceed the maximum allowable quantity of refrigerant or overcharge the system. Doing so may damage or impact the unit's function.
- Charging with unsuitable substances may cause explosions or accidents. Ensure that the appropriate refrigerant is used.
- Refrigerant containers must be opened slowly. Always use protective gear when charging the system.
- **DO NOT** mix refrigerant types.

N=2 (one-twin models), N=3 (one-three models), N=4 (one-four models), N=5 (one-five models). Some systems require additional charging depending on pipe lengths. The standard pipe length varies according to local regulations. For example, in North America, the standard pipe length is 7.5 m (25 ft). In other areas, the standard pipe length is 5 m (16 ft). The additional refrigerant to be charged can be calculated using the following formula:

ADDITIONAL REFRIGERANT PER PIPE LENGTH

Connective Pipe Length	Air Purging Method	Additional Refrigerant (R410A)	
Pre-charge pipe length (ft/m) (standard pipe length x N)	Vacuum pump	N/A	
More than (standard pipe length x N) ft/m	Vacuum pump	Liquid Side: $\varnothing 6.35$ ($\varnothing 1/4"$) (Total pipe length - standard pipe length x N) x 15 g/m (Total pipe length - standard pipe length x N) x 0.16 oz/ft	Liquid Side: $\varnothing 9.52$ ($\varnothing 3/8"$) (Total pipe length - standard pipe length x N) x 30 g/m (Total pipe length - standard pipe length x N) x 0.32 oz/ft

Safety And Leakage Check

Electrical safety check

Perform the electric safety check after completing installation:

1. Insulated resistance
The insulated resistance must be more than 2 M Ω .
2. Grounding work
After finishing the grounding work, measure the grounding resistance by visual detection and with a grounding resistance tester. Make sure the grounding resistance is less than 4 Ω .
3. Electrical leakage check (performed during test running)
During test operation after installation is finished, the service man can use the electroprobe and multimeter to perform the electrical leakage check. Turn off the unit immediately if there is leakage. Look for a solution to the problem until the unit operates properly.

Gas leak check

1. Soapy water method:
To check for leakage in the connecting points of the piping, use a soft brush to apply soapy water or a liquid neutral detergent to the indoor or outdoor unit connections. If bubbles come out, there is leakage.
2. Leak detector
Use the leak detector to check for leakage.

NOTE: The illustration is for explanation purposes only. The actual order of A, B, C, D and E on the machine may be slightly different from the unit you purchased. The actual shape shape prevails.

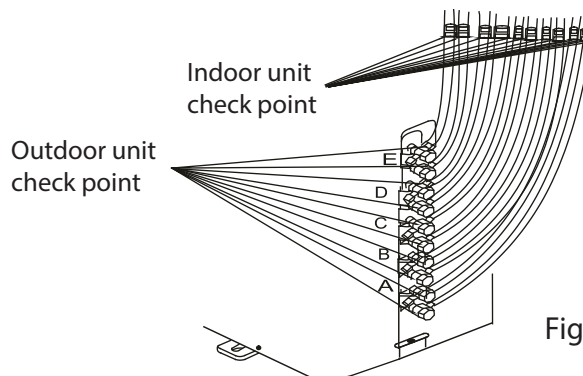


Fig. 9.4

A, B, C, and D are points on a one-four type.
A, B, C, D, and E are points on a one-five type.

Before Test Run

A test run must be performed after the entire system has been completely installed. Confirm the following points before performing the test:

- a) The indoor and outdoor units are properly installed.
- b) Piping and wiring are properly connected.
- c) No obstacles are near the inlet and outlet of the unit that might cause poor performance or product malfunction.
- d) The refrigeration system does not leak.
- e) The drainage system is unimpeded and draining to a safe location.
- f) The heating insulation is properly installed.
- g) The grounding wires are properly connected.
- h) The length of the piping and the added refrigerant stow capacity have been recorded.
- i) The power voltage is the correct voltage for the air conditioner.

- F. Check that the drainage system is unimpeded and draining smoothly.
 - G. Make sure there is no vibration or abnormal noise during operation.
5. For the outdoor unit:
- A. Check to see if the refrigeration system is leaking.
 - B. Make sure there is no vibration or abnormal noise during operation.
 - C. Make sure the wind, noise, and water generated by the unit do not disturb your neighbors or pose a safety hazard.

NOTE: If the unit malfunctions or does not operate according to your expectations, please refer to the Troubleshooting section of the User's manual before calling customer service.

! CAUTION

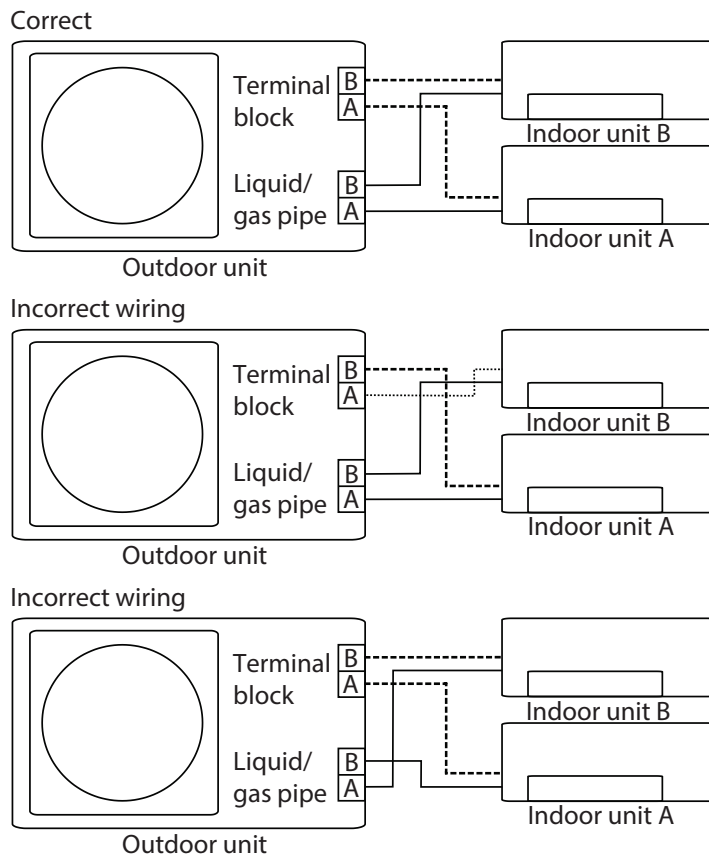
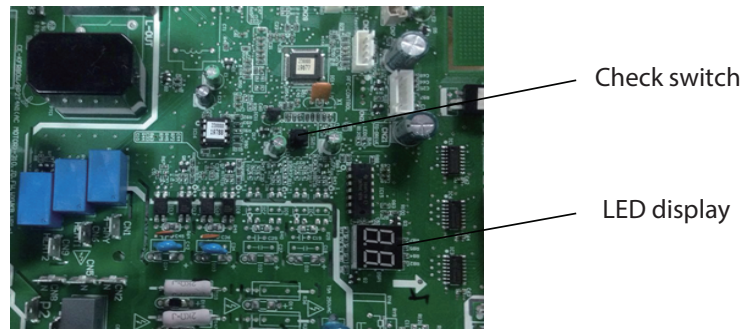
Failure to perform the test run may result in unit damage, property damage, or personal injury.

Test Run Instructions

1. Open both the liquid and gas stop valves.
2. Turn on the main power switch and allow the unit to warm up.
3. Set the air conditioner to COOL mode.
4. For the indoor unit:
 - A. Ensure the remote control and its buttons work properly.
 - B. Ensure the louvers move properly and can be changed using the remote control.
 - C. Double check to see if the room temperature is being registered correctly.
 - D. Ensure the indicators on the remote control and the display panel on the indoor unit work properly.
 - E. Ensure the manual buttons on the indoor unit works properly.

Automatic Wiring/Piping Correction Function

The new product is able to automatically correct a wiring/piping error. Press the "check switch" on the outdoor unit PCB board for 5 seconds until the LED display shows "CE." This means the function is working. Approximately 5-10 minutes after the switch is pressed, "CE" will disappear, the wiring/piping error will be corrected, and the wiring/piping will be properly connected.



How to Activate This Function

1. Check that the outside temperature is above 41° F (5° C).
(This function does not work when the outside temperature is not above 41° F (5° C))
2. Check that the stop valves on the liquid and gas pipes are open.
3. Turn on the breaker and wait at least 2 minutes.
4. Press the check switch on the outdoor PCB board until the LED display shows "CE."

The design and specifications are subject to change without prior notice for product improvement. Consult with the sales agency or manufacturer for details.



www.cooperandhunter.us