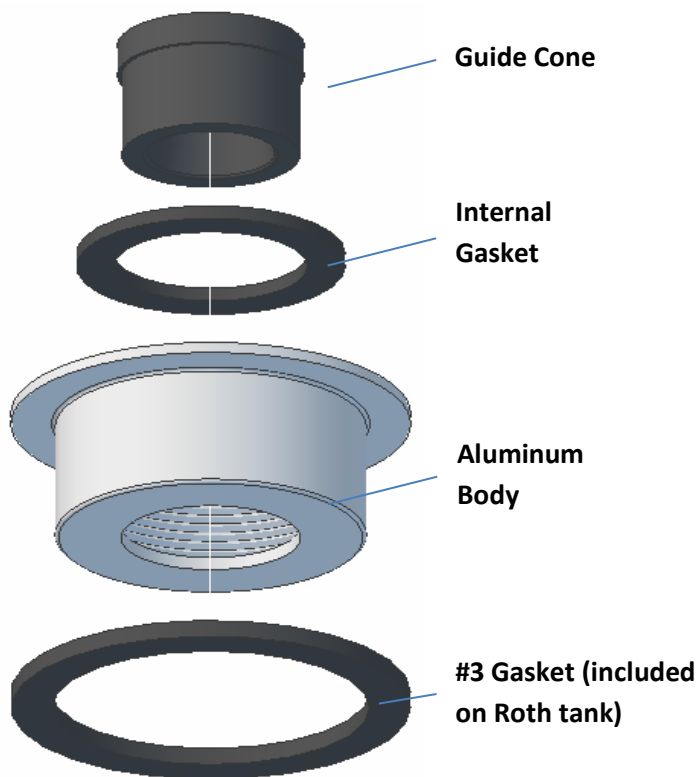
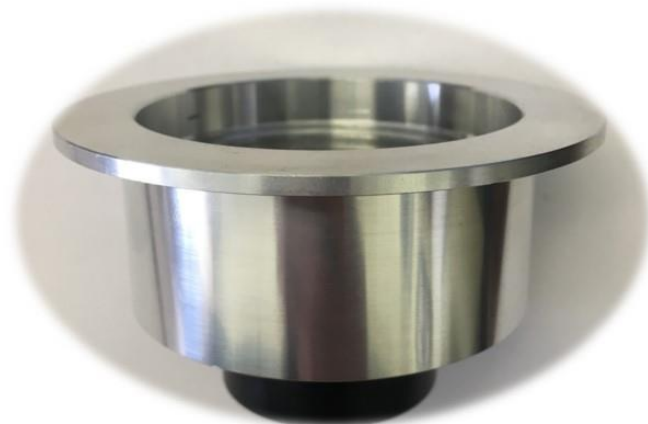


Adapter for Roth Double-Wall Tanks

The Roth Adapter (CCF-906) allows the standard Smart Oil Gauge to be used with Roth Double-Wall tanks. The adapter features an internal gasket that mates with the Smart Oil Gauge to create a seal. The internal guide cone ensures that the ultrasonic signal is directed to the surface of the oil. The outer flange of the adapter mates with the existing #3 gasket and is secured onto the tank with the black cap nut that comes with the Roth tanks. **DO NOT** use pipe dope or Teflon tape on the Smart Oil Gauge when using the Roth Adapter. Simply hand-tighten the Smart Oil Gauge until the gasket is compressed.



Compatible Tanks



400L	1000L	1000LH	620L	1500L
✓	✓	✓	✓	X

Specifications

Dimensions	3.34" x 3.34" x 1.90"
Material	Aluminum Body, Acetal Guide Cone
Part #	CCF-906