

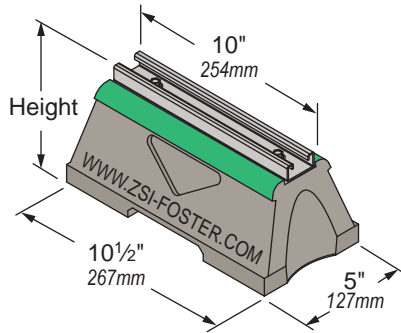


Cush-A-Block® Rooftop Supports

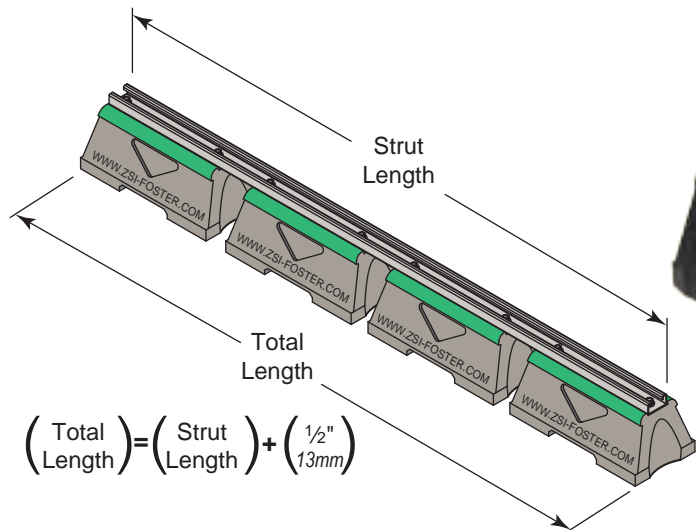
Standard Finish: Pre-galvanized (PG) or Hot Dipped Galvanized (HG)

CBN Series

Support With Metal Channel



Shown with 1³/₁₆" Strut



CBN2RD shown with two bases

The CBN Series provides a longer mounting surface with strut lengths up to 46.82" (1.2m). Custom lengths are available upon request

Part No.	No. of Bases	Height	Strut Length	Total Length	Uniform Load Lbs (kN)*
CBN-Support With 1³/₁₆" (21mm) Pre-Galv. or Hot Dip Galv. Steel Channel					
CBN1S	1	4- ¹³ / ₁₆ " (122mm)	10" (254mm)	10- ¹ / ₂ " (267mm)	2,500 * (11.12 kN)
CBN2S	2		23- ¹ / ₂ " (597mm)	24" (610mm)	5,000 * (22.24 kN)
CBN3S	3		35- ¹ / ₂ " (902mm)	36" (914mm)	7,500 * (33.36 kN)
CBN4S	4		47- ¹ / ₂ " (1.2m)	48" (1.2m)	10,000 * (44.48 kN)
CBN-Support With 1-⁵/₈" (41mm) Pre-Galv. or Hot Dip Galv. Steel Channel					
CBN1D	1	5- ⁵ / ₈ " (143mm)	10" (254mm)	10- ¹ / ₂ " (267mm)	2,500 * (11.12 kN)
CBN2D	2		23- ¹ / ₂ " (597mm)	24" (610mm)	5,000 * (22.24 kN)
CBN3D	3		35- ¹ / ₂ " (902mm)	36" (914mm)	7,500 * (33.36 kN)
CBN4D	4		47- ¹ / ₂ " (1.2m)	48" (1.2m)	10,000 * (44.48 kN)
CBN Support With 2-⁷/₁₆" (62mm) Pre-Galv. or Hot Dip Galv. Steel Channel					
CBN1RD	1	6- ⁷ / ₁₆ " (164mm)	10" (254mm)	10- ¹ / ₂ " (267mm)	2,500 * (11.12 kN)
CBN2RD	2		23- ¹ / ₂ " (597mm)	24" (610mm)	5,000 * (22.24 kN)
CBN3RD	3		35- ¹ / ₂ " (902mm)	36" (914mm)	7,500 * (33.36 kN)
CBN4RD	4		47- ¹ / ₂ " (1.2m)	48" (1.2m)	10,000 * (44.48 kN)

* This load is only for the capacity of the components in this assembly. Please consult roofing manufacturer or engineer for roof load capacity.



WARNING: These products can expose you to chemicals including lead, which is known to the State of California to cause cancer, and which is known to cause birth defects or other reproductive harm. For more information go to www.P65Warnings.ca.gov.