



AN ECONOMICAL SOLUTION FOR TODAY'S HEATING SYSTEMS

CAST IRON

TRIPLE PASS BOILER

80 TO 300 MBTU

RESIDENTIAL HEATING BOILER

KEY FEATURES

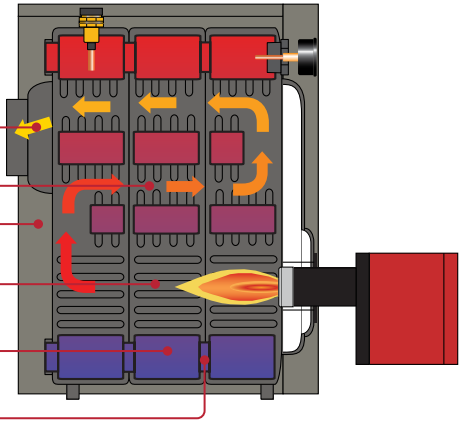
- » High Efficiency Triple Pass Design
- » Oil Heating Applications
- » All NPT Tappings
- » Convenient Accessory Tappings
- » Chimney or Direct Venting
- » Limited Lifetime Warranty



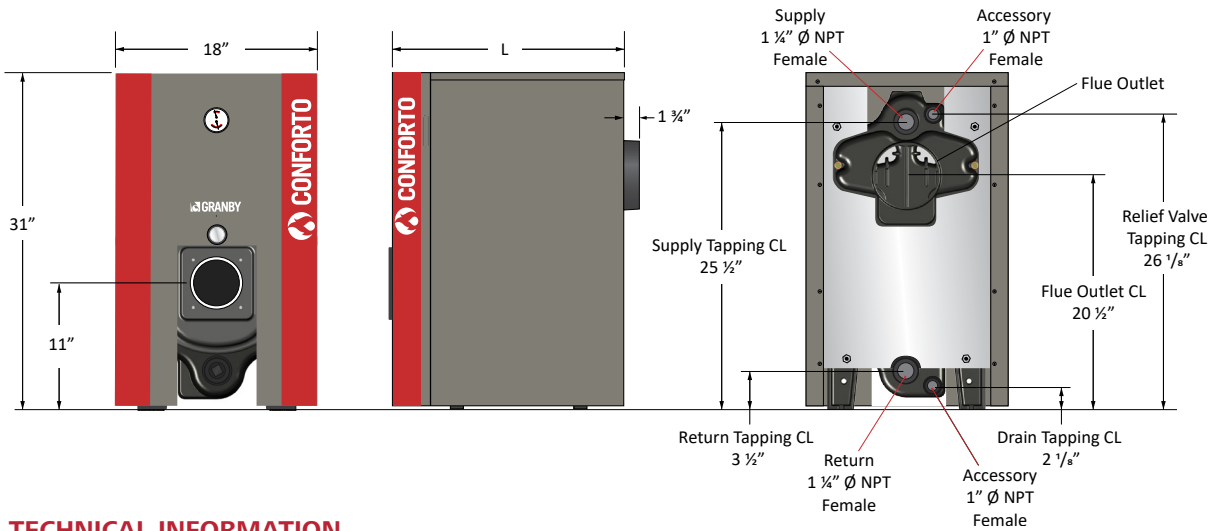
CONFORTO BOILER

TRIPLE PASS BOILER ADVANTAGE

- LOW EXHAUST TEMPERATURE
(350°F, RESULTS IN MORE USEFUL HEAT INTO THE BUILDING)
- LOW MASS
(275 TO 653 LBS)
- THICK FOIL BACKED INSULATION
(MAXIMIZES HEAT RETENTION DURING STANDBY)
- NON-REFRACTORY CHAMBER
(INCREASED EFFICIENCY)
- LOW WATER CONTENT
(6 TO 15 GAL)
- STEEL PUSH NIPPLE CONNECTIONS
(SUPERIOR DURABILITY)



DIMENSIONS



Size (Sections)	Length L (in)
3	18 1/2
4	23
5	27 1/2
6	31 3/4
7	36 1/4
8	40 1/2
9	45

TECHNICAL INFORMATION

SIZE	MODEL NUMBER	IBR BURNER INPUT CAPACITY		D.O.E HEATING CAPACITY (M.B.H)	IBR NET RATINGS WATER (M.B.H)	AFUE (%)	FLUE BREECH SIZE (IN)	WATER CONTENT (U.S. GAL)	BOILER WEIGHT (LBS)
		OIL (G.P.H)	OIL (M.B.H)						
CB3	CB3-KD-0080-01	.67	93	80	70	87	5	6.0	275
CB4	CB4-KD-0118-01	.98	137	118	103	87	5	7.5	338
CB5	CB5-KD-0147-01	1.23	171	147	129	87	5	9.0	401
CB6	CB6-KD-0185-01	1.54	215	185	161	87	6	10.5	464
CB7	CB7-KD-0228-01	1.89	263	228	198	87	6	12.0	527
CB8	CB8-KD-0270-01	2.25	314	270	235	87	6	13.5	590
CB9	CB9-KD-0300-01	2.50	349	300	262	87	6	15.0	653

