



Model CB199 and CB180 Series Residential Condensing Gas Combination Boiler Specification Sheet

- **Standard Input-** Gas consumption ranges:
CB199 : 18,000 BTUh to 199,000 BTUh
CB180 : 18,000 BTUh to 180,000 BTUh
- **Heating Mode Input-** Gas consumption ranges:
CB199 : 18,000 BTUh to 120,000 BTUh
CB180 : 18,000 BTUh to 100,000 BTUh
 - **Turndown Ratio-** 6.7 (CB199) and 5.6 (CB180)
- **Capacity Range-** Flow rates of 0.5 GPM up to 9.3 GPM (CB199) and 9.1 GPM (CB180)
- **Compact Design-** ANSI A21.13/CSA 4.9 certified design that can be wall-mounted indoors
- **Durable Steel Casing with Polyester Coating**
- **Heat Exchanger-** Manufactured with STS 304 stainless steel
- **Venting Options-** For indoor installation only. Convertible to Single Vent (-SV) with the use of conversion kit (#SV-CK-3)
- **Direct Electronic Ignition**
- **AFUE-** 0.95(NG) 0.95(LP)
- **Temperature Controls-** Includes remote thermostat that can precisely adjust the output temperature with the capability to display temperatures in °C; Domestic Mode: 90°F to 140°F, Heating Mode: 100°F to 180°F
- **Outdoor Reset Control-** Built-in customizable programming for Energy Savings and Comfort with Outdoor Temperature Sensor (included)
- **Power Cord Installation Kit-** 6' power cord is included
- **Safety Devices-** Flame Sensor, Overheat Cut off Limit Switch, Gas Leak Detector Sensor, Water Leak Detector Sensor, Exhaust Temperature Sensor, Pressure Sensor, Heating Supply Temperature Sensor
- **Internal Pump-** Heating Mode: used for primary closed loop. Domestic Mode: used for pre-heating of internal plate heat exchanger
- **10-Year* Limited Heat Exchanger Warranty for Residential Use**
- **5-Year Limited Parts Warranty**
- **1-Year Reasonable Labor**



DV Model

Model

CB199-DV
CB180-DV

Accessories

- 3" PVC Termination (#VK3-H-PVC)
- Vertical Adapter Set (#VK3-PVC-VAS)
- PVC Terminal (#PRC-1)
- Neutralizer (NC-1) (For 1 Water Heater)
- Horizontal Hood Termination (#PVT-HL)
- Isolation Valves (#IK-WV-200-1)
- Vent Screens with Finishing (2") (After Market)
- PVC Reducer Bushing (3in X 2in) (After Market)
- SV Conversion Kit (#SV-CK-3) 90 Elbow with Inlet Screen

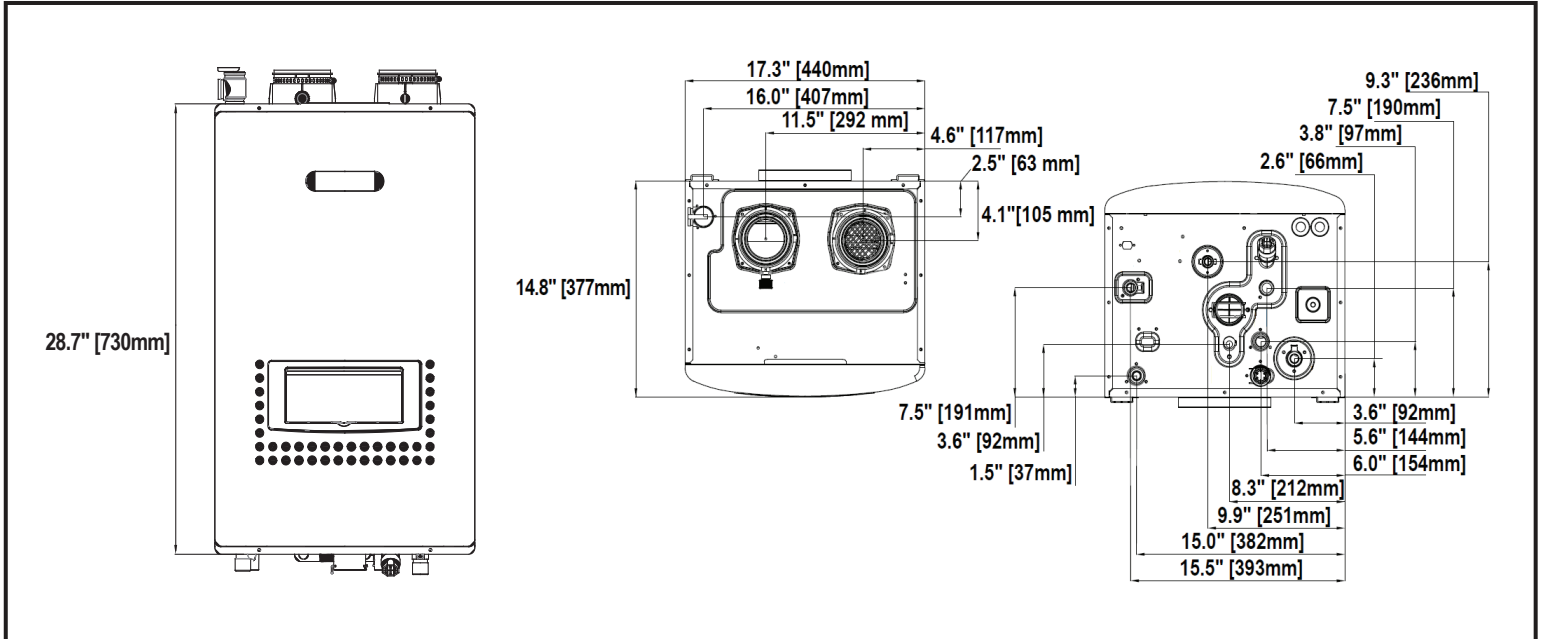


Low NOx Approved
by SCAQMD
14 ng/J or 20 ppm
(Natural Gas Only)

*Primary Heat Exchanger warranty is maintained at 10 years when used in a single family dwelling and 3 years when product is supplied with pre-heated or circulated water on the domestic water side, in accordance with the Installation Manual. Refer to Noritz Limited Warranty for complete coverage details.

** This product complies with California AB 1953 Low Lead Law and Section 1417(d) of the Safe Drinking Water Act

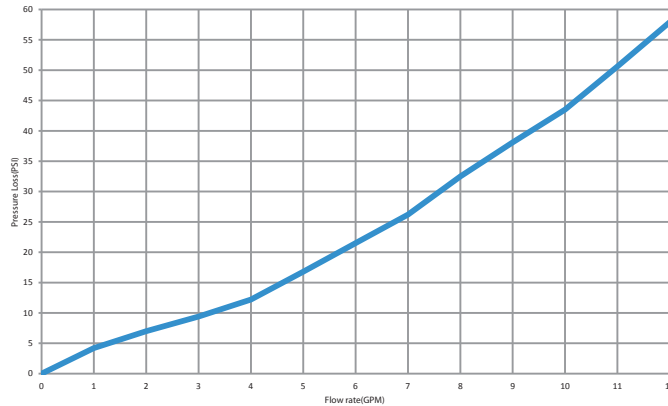
Dimensions



Flow Rates

Temperature Rise (°F)		30	40	45	50	60	70	80	90	100
Flow Rate (GPM)	CB199-DV	9.3	8.6	7.7	7.0	5.8	4.9	4.3	3.8	3.2
	CB180-DV	9.1	8.3	7.2	6.5	5.4	4.6	4.0	3.6	3.2

CB Pressure Loss



Specifications

Model Name		CB199-DV	CB180-DV
Weight		90 (pounds)	
Operating Pressure		15 - 150 psi	
Gas Supply Pressure		NG: 3.5" - 10.5" LP: 8.0" - 14.0"	
Water Holding Capacity		Under 2 Gallons	
Connection Sizes	Water Inlet	3/4"	
	Hot Water Outlet	3/4"	
	Gas Inlet	3/4"	
	Condensate Drain	1/2" Threaded	
	Auto Feeder Inlet	3/4"	
	Heating Supply	1"	
Power	Supply	120VAC 60Hz	
	Consumption	187W(71W+116W_PUMP)	180W(64W+116W_PUMP)
Freeze Protection		42°F (5.5°C) - 46°F (8°C)	
Temperature Settings	Domestic Hot Water	°F Mode	Normal Temp: 90-120°F, High Temp: 121-140°F (In 1°F intervals)
		°C Mode	Normal Temp: 32-49°C, High Temp: 49.5-60°C (In 1°C intervals)
	Heating	°F Mode	100-180°F
		°C Mode	38-82°C