



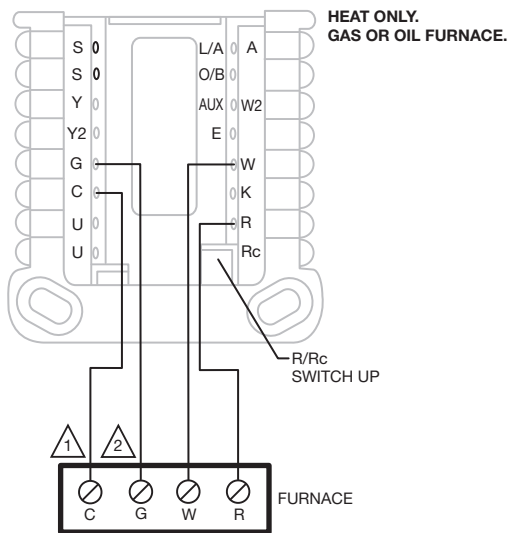
T10 Pro Wi-Fi Wiring Diagrams

ADDENDUM

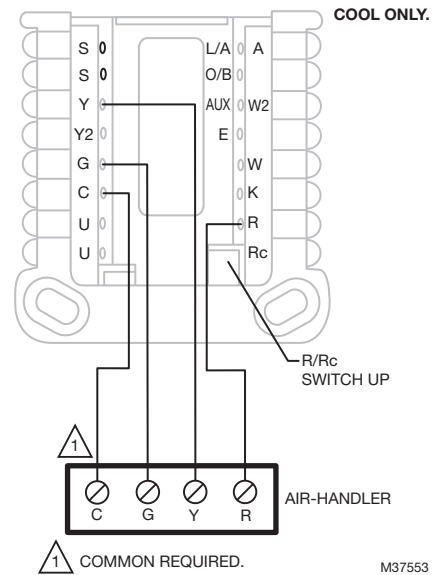
WIRING DIAGRAMS

Cool only

Heat only: Gas or Oil Furnace

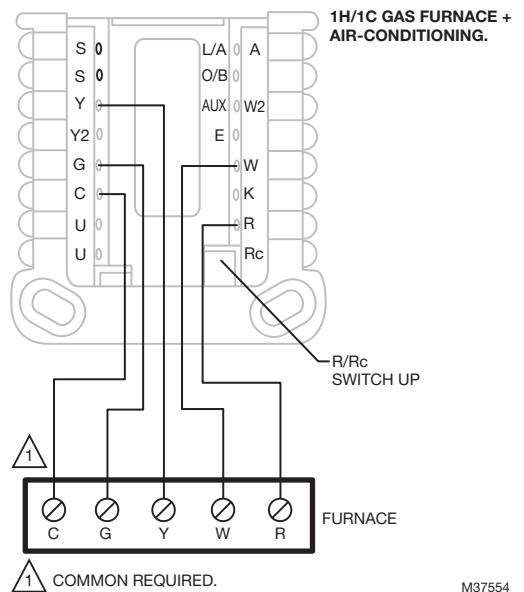


- 1 COMMON REQUIRED.
- 2 G USED FOR INDEPENDENT FAN CONTROL ONLY. MOST HEAT ONLY, GAS OR OIL FORCED AIR SYSTEMS DO NOT USE A FAN (G) WIRE. M37552



- 1 COMMON REQUIRED. M37553

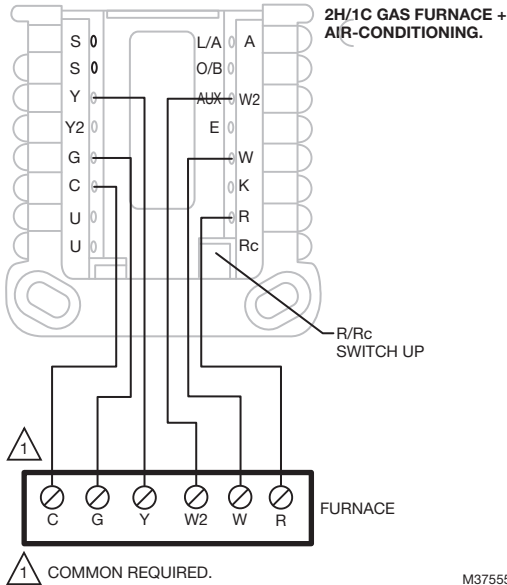
1H/1C: Gas Furnace



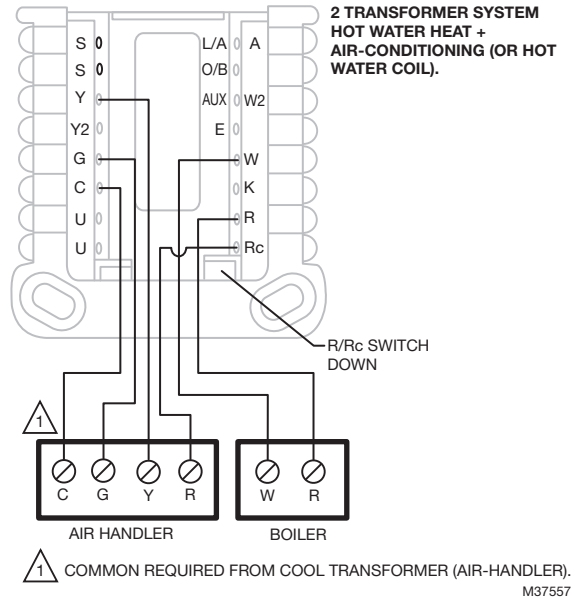
- 1 COMMON REQUIRED. M37554



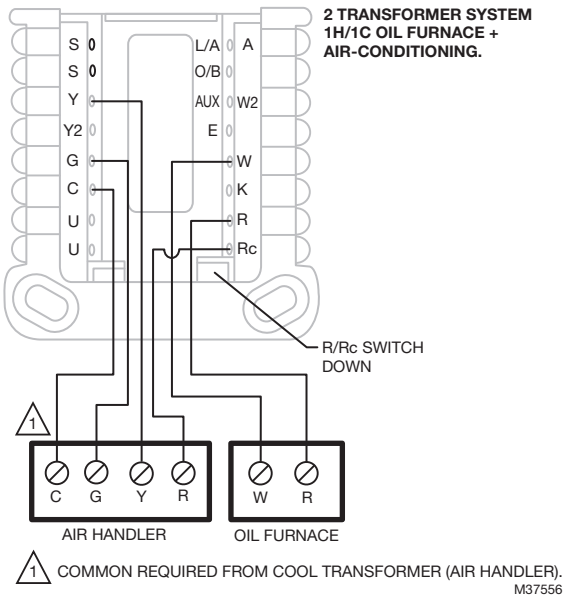
2H/1C: Gas Furnace



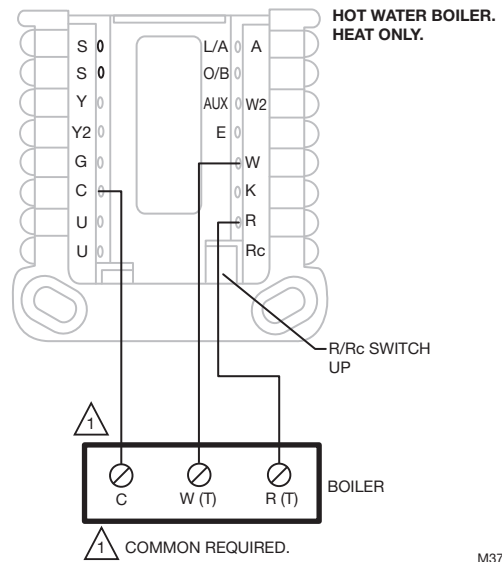
2 Transformer System, Hot Water Heat with Air-Conditioning (or Hot Water Coil)



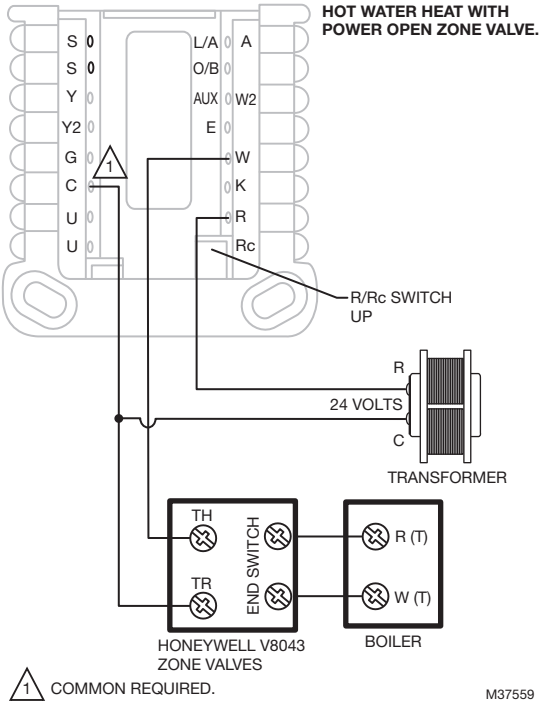
2 Transformer System, 1H/1C: Oil Furnace



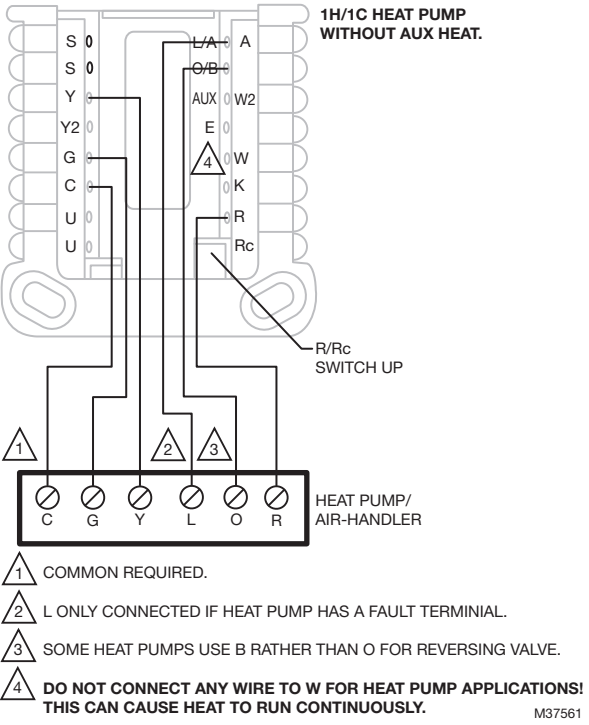
Hot Water Boiler, Heat Only



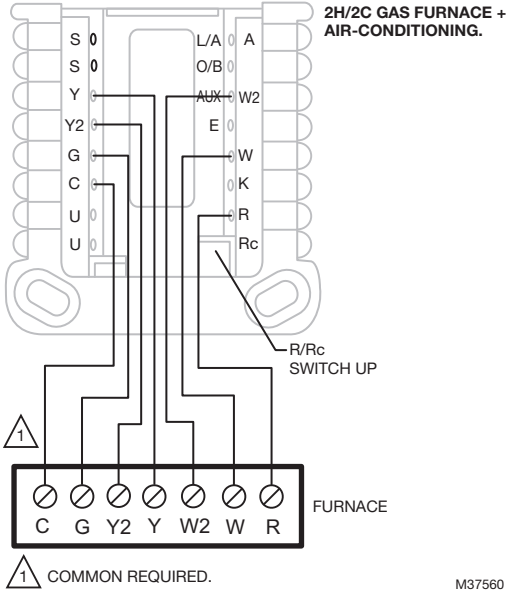
Hot Water Heat with Power Open Zone Valve



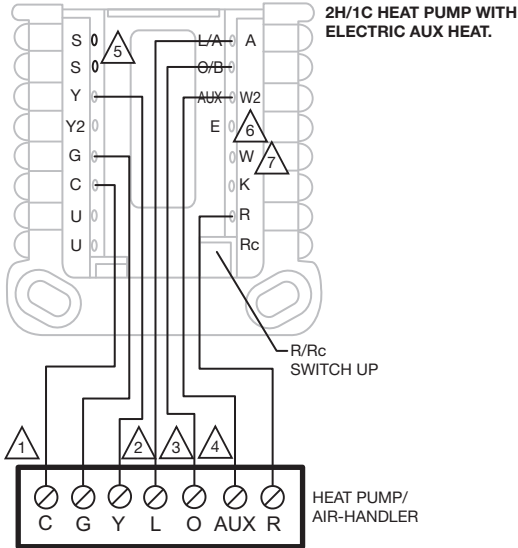
1H/1C: Heat Pump without Aux Heat



2H/2C: Gas Furnace



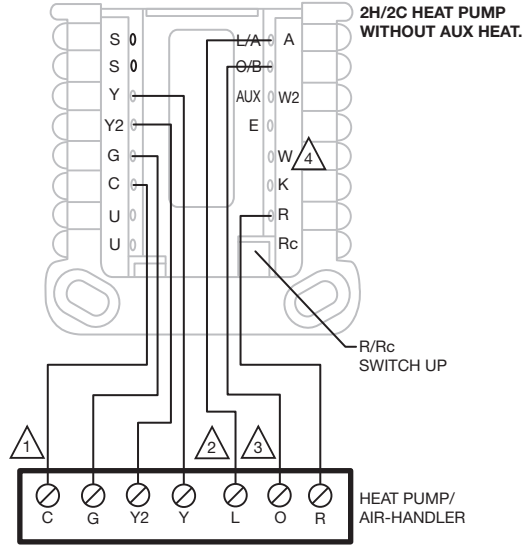
2H/1C: Heat Pump with Electric Aux Heat



- 1 COMMON REQUIRED.
- 2 L ONLY CONNECTED IF HEAT PUMP HAS A FAULT TERMINAL.
- 3 SOME HEAT PUMPS USE B RATHER THAN O FOR REVERSING VALVE.
- 4 DIFFERENT HEAT PUMP MODELS LABEL THE AUXILIARY HEAT TERMINAL DIFFERENTLY THAN SHOWN. CONSULT HEAT PUMP WIRING GUIDE.
- 5 LOCKOUT OF AUX HEAT ON HIGH OUTDOOR TEMPERATURE CAN BE DONE THROUGH ROUTER/INTERNET CONNECTION AND HOME APP OR WIRE C7089U1006 TO THE TWO "S" TERMINALS.
- 6 MOST HEAT PUMPS SHARE THE SAME SET OF HEAT STRIPS FOR AUX AND EM HEAT. IN THOSE CASES E ISN'T USED. THE TH320WF2006 MODEL CAN BE CONFIGURED FOR SEPARATE AUX AND E. IF THIS IS DONE, WIRE ONE SET OF STRIPS TO E TO BE ENERGIZED IN EM HEAT AND A DIFFERENT SET OF STRIPS TO AUX TO BE ENERGIZED IN AUX HEAT.
- 7 **DO NOT CONNECT ANY WIRE TO W FOR HEAT PUMP APPLICATIONS! THIS CAN CAUSE HEAT TO RUN CONTINUOUSLY.**

M367562

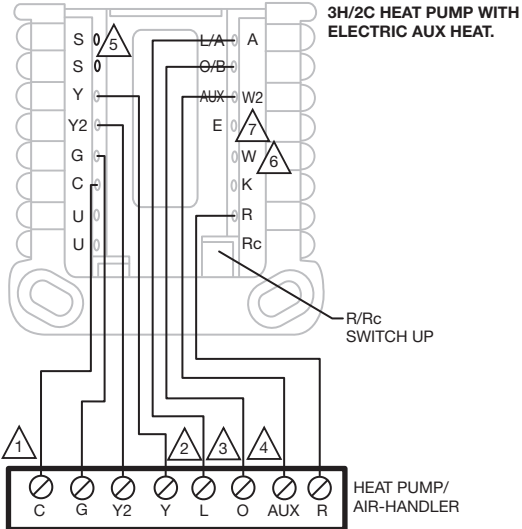
2H/2C: Heat Pump without Aux Heat



- 1 COMMON REQUIRED.
- 2 L ONLY CONNECTED IF HEAT PUMP HAS A FAULT TERMINAL.
- 3 SOME HEAT PUMPS USE B RATHER THAN O FOR REVERSING VALVE.
- 4 **DO NOT CONNECT ANY WIRE TO W FOR HEAT PUMP APPLICATIONS! THIS CAN CAUSE HEAT TO RUN CONTINUOUSLY.**

M37563

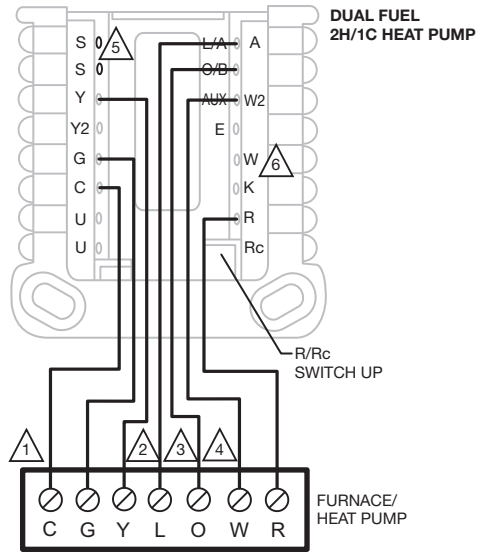
3H/2C Heat Pump with Electric Aux Heat



- 1 COMMON REQUIRED.
- 2 L ONLY CONNECTED IF HEAT PUMP HAS A FAULT TERMINAL.
- 3 SOME HEAT PUMPS USE B RATHER THAN O FOR REVERSING VALVE.
- 4 DIFFERENT HEAT PUMP MODELS LABEL THE AUXILIARY HEAT TERMINAL DIFFERENTLY THAN SHOWN. CONSULT HEAT PUMP WIRING GUIDE.
- 5 LOCKOUT OF AUX HEAT ON HIGH OUTDOOR TEMPERATURE CAN BE DONE THROUGH ROUTER/INTERNET CONNECTION AND HOME APP OR WIRE C7089U1006 TO THE TWO "S" TERMINALS.
- 6 **DO NOT CONNECT ANY WIRE TO W FOR HEAT PUMP APPLICATIONS! THIS CAN CAUSE HEAT TO RUN CONTINUOUSLY.**
- 7 MOST HEAT PUMPS SHARE THE SAME SET OF HEAT STRIPS FOR AUX AND EM HEAT. IN THOSE CASES E ISN'T USED. THE TH6320WF2006 MODEL CAN BE CONFIGURED FOR SEPARATE AUX AND E. IF THIS IS DONE, WIRE ONE SET OF STRIPS TO E TO BE ENERGIZED IN EM HEAT AND A DIFFERENT SET OF STRIPS TO AUX TO BE ENERGIZED IN AUX HEAT.

M37564

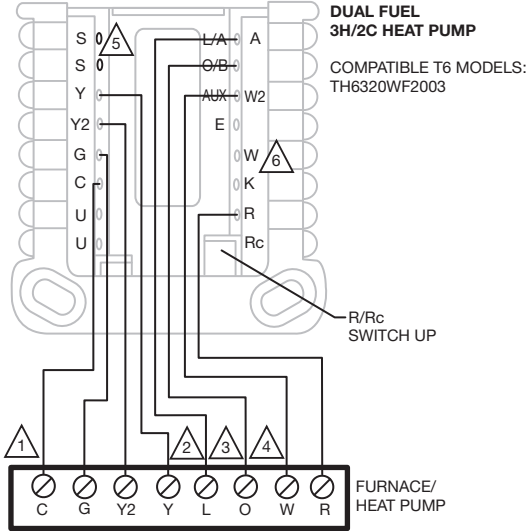
Dual Fuel, 2H/1C: Heat Pump



- 1 COMMON REQUIRED.
- 2 L ONLY CONNECTED IF HEAT PUMP HAS A FAULT TERMINAL.
- 3 SOME HEAT PUMPS USE B RATHER THAN O FOR REVERSING VALVE.
- 4 THE HEAT PUMP AND FURNACE HAVE SEPARATE BOARDS. WE SHOW THEM TOGETHER TO SIMPLIFY THE DIAGRAM. W IS FROM THE FURNACE BOARD.
- 5 BALANCE POINT LOCKOUT CAN BE DONE THROUGH ROUTER/INTERNET CONNECTION AND HOME APP OR WIRE C7089U1006 TO THE TWO "S" TERMINALS.
- 6 **DO NOT CONNECT ANY WIRE TO W FOR HEAT PUMP APPLICATIONS! THIS CAN CAUSE HEAT TO RUN CONTINUOUSLY.**

M37565

Dual Fuel, 3H/2C: Heat Pump



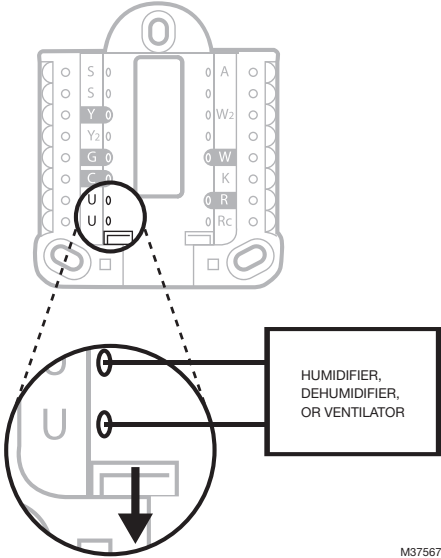
- 1 COMMON REQUIRED.
- 2 L ONLY CONNECTED IF HEAT PUMP HAS A FAULT TERMINAL.
- 3 SOME HEAT PUMPS USE B RATHER THAN O FOR REVERSING VALVE.
- 4 THE HEAT PUMP AND FURNACE HAVE SEPARATE BOARDS. WE SHOW THEM TOGETHER TO SIMPLIFY THE DIAGRAM. W IS FROM THE FURNACE BOARD.
- 5 LOCKOUT OF AUX HEAT ON HIGH OUTDOOR TEMPERATURE CAN BE DONE THROUGH ROUTER/INTERNET CONNECTION AND HOME APP OR WIRE C7089U1006 TO THE TWO "S" TERMINALS.
- 6 **DO NOT CONNECT ANY WIRE TO W FOR HEAT PUMP APPLICATIONS! THIS CAN CAUSE HEAT TO RUN CONTINUOUSLY.**

M36911A

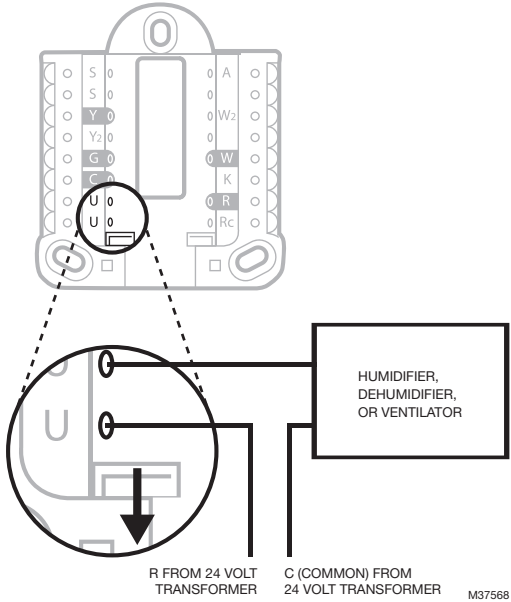
Whole house humidifier, dehumidifier, or ventilator

Using U Slider Tab

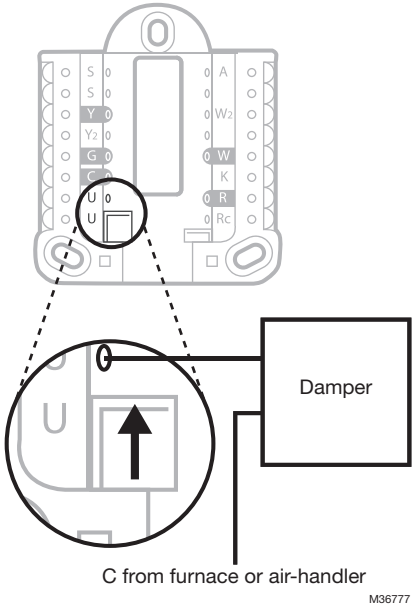
WIRED TO HUMIDIFIER, DEHUMIDIFIER OR VENTILATOR WITH BUILT-IN TRANSFORMER



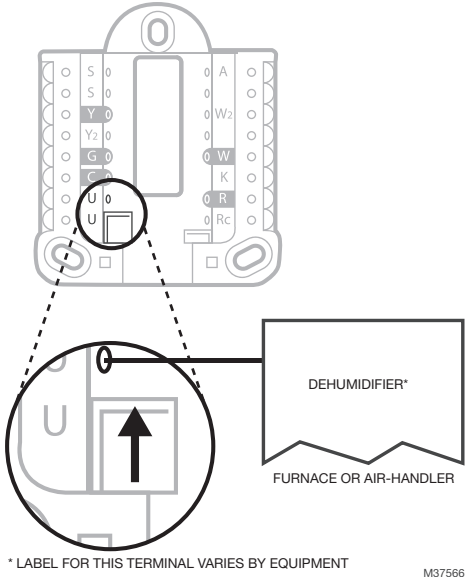
WIRED TO HUMIDIFIER, VENTILATOR, OR DAMPER POWERED BY EXTERNAL TRANSFORMER



WIRED TO FRESH AIR DAMPER POWERED BY FURNACE TRANSFORMER



WIRED TO LOW SPEED FAN TERMINAL ON HVAC FOR DEHUMIDIFICATION



T10 PRO WI-FI WIRING DIAGRAMS



resideo

Resideo Inc., 1985 Douglas Drive North,
Golden Valley, MN 55422

www.resideo.com 33-00439-02 M.S. Rev. 02-19 | Printed in United States

©2019 Resideo Technologies, Inc. All rights reserved. The Honeywell Home trademark is used under license from Honeywell International Inc.