





Climate 5000 Series 9K BTU Single Zone Regular System Wall Mounted IDU

Engineering
Submittal
Sheet



BOSCH

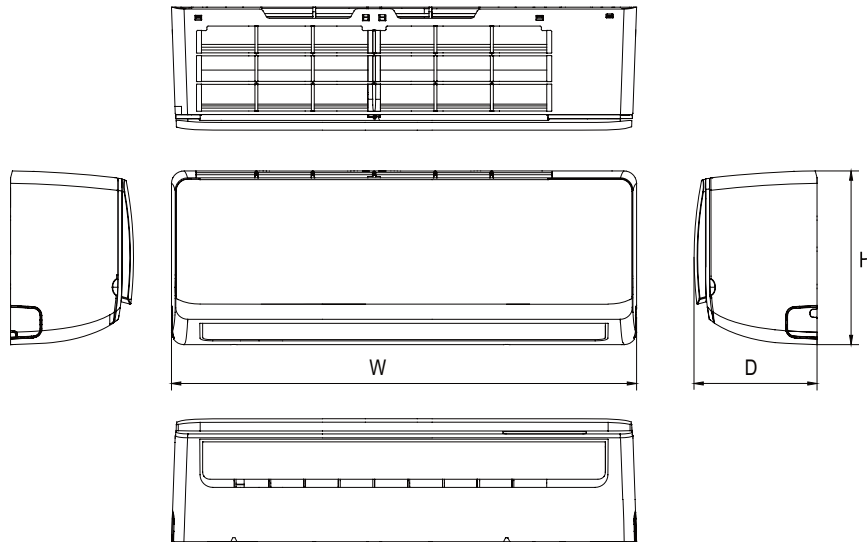
Overview and Project Information	
   	Project name
	Location
	Architect
	Engineer
	General contractor
	Reference #

9K Btu Single Zone Regular Heat System - Wall Mounted IDU			
Indoor part number		8733956175	
Indoor model number		BMS500-AAU009-1AHWXC	
Outdoor part number		8733956189	
Outdoor model number		BMS500-AAS009-1CSXRC	
Efficiency Data		AHRI 210/240 2017	AHRI 210/240 2023
SEER		25.50	25.50
EER		15.00	15.00
HSPF Region IV		12.2	12.3
HSPF Region V		10.0	9.2
COP(47F)		3.95	3.95
COP (5F)		1.85	2.17
Performance Data		AHRI 210/240 2017	AHRI 210/240 2023
Cooling	Capacity Range	2500~11900	2500~11900
	Rated Capacity	9000	9000
	Current	2.61	2.61
	Input Power	600	600
	Capacity Range		3400~13000
Heating	Rated Capacity (47F)	10000	10000
	Rated Capacity (5F)	8300	7500
	Current	3.23	3.23
	Input Power	742	742
	Capacity Range		3400~13000
Electrical Data			
Power supply (V / Ø / Hz)		208-230 / 1 / 60	
Min. circuit ampacity indoor/outdoor (A)		3.0 / 13.0	
Max. fuse indoor/outdoor (A)		15.0 / 15.0	
Compressor Data			
Type:		Rotary	
Refrigerant oil /oil charge (ml)		VG74 / 310	
Input (W)		790	
Rated current (RLA/A)		7.6	
Operation Range			
ODU	Cooling (°F / °C)	-13~122 / -25~50	
	Heating (°F / °C)	-13~86 / -25~30	
IDU	Cooling (°F / °C)	60~90 / 16~32	
	Heating (°F / °C)	32~86 / 0~30	

Piping		
Refrigerant precharge (oz/g)		38.1 / 1080
Length for precharge (ft/m)		25 / 7.6
Liquid side (in/mm)		1/4" / Ø6.35
Gas side (in/mm)		3/8" / Ø9.52
Additional charge per ft (oz/g)		0.16 / 15
Max. refrigerant pipe length (ft/m)		98 / 30
Max. difference in height (ft/m)		66 / 20
System Data		
Refrigerant type		R410A
Design pressure (PSIG)		550/340
Dehumidification (pts/hr)		2.12
IDU	Fan motor model	ZKFP-20-8-6-7
	Fan motor qty (ea)	1
	Fan motor input (W)	50
	Fan speed (RPM)	1020 / 892 / 828
	Air flow, H / M / L (CFM)	335.29 / 229.41 / 176.47
	Approx. Air Throw Range ft (m)	4.9(1.5)-31(9.5)
	Noise level, H / M / L (dB(A))	38 / 34 / 23
	Net weight (lbs / kg)	25.35 / 11.5
	Gross weight (lbs / kg)	30.64 / 13.9
	ODU	Fan motor model
Fan motor qty (ea)		1
Fan motor input (W)		100.3
Fan motor speed, H / L (RPM)		800 / 600
Air flow, Max (CFM)		1294
Noise level, Max (dB(A))		53.0
Net weight (lbs / kg)		63.7 / 28.9
Gross weight (lbs / kg)		69.0 / 31.3
Accessories		
BMS-WT1-XXC (8733956179)		Wired Wall Thermostat
BMS-DRY-XXX (8733953129)		24V Interface
BMS-PK1-7X1 (8733951010)		25ft Lineset
BMS-PK1-5X1 (8733951016)		16ft Lineset
Standard Parts		
8-733-956-822		Remote Control

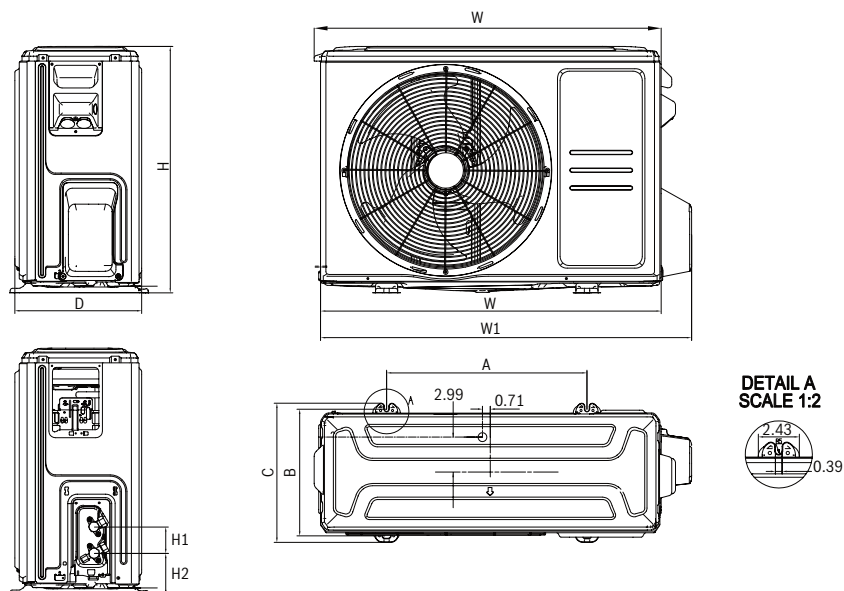


Indoor Unit Dimensions and Connections



Model	W (in)	D (in)	H (in)
BMS500-AAU009-1AHWXC	33.4	9.1	11.7

Outdoor Unit Dimensions and Connections



Model	W (in)	D (in)	H (in)	W1 (in)	W2 (in)	H1 (in)	H2 (in)	A (in)	B (in)	C (in)
BMS500-AAS009-1CSXRC	30.12	11.26	21.85	33.0	30.87	2.36	3.67	17.8	11.26	12.36