

# Climate 5000 Series




## 115V – 12K BTU Single Zone Regular System

### Wall Mounted IDU

Engineering  
Submittal  
Sheet



# BOSCH

Overview and Project Information	
  	Project Name
	Location
	Architect
	Engineer
	General Contractor
	Reference #

115V - 12K Btu Single Zone Regular Heat System Wall Mounted IDU		
Indoor model #	8733953249	
Indoor model name	BMS500-AAS012-0AHWXB	
Outdoor model #	8733953250	
Outdoor model name	BMS500-AAS012-0CSXRB	
Performance Data		
Cooling	Capacity (Btu/h):	12000
	Input (W)	923
	Rated current (A)	8.2
	EER (Btu/w)	13
	SEER (Btu/w)	22
Heating at 47°F	Capacity (Btu/h)	12000
	Input (W)	1035
	Rated current (A)	9.2
	COP (W/W)	3.40
	HSPF4	10.2
	HSPF5	8.3
Electrical Data		
Power supply (V / Ø / Hz)	115 / 1 / 60	
Min. Circuit ampacity (A)	15.0	
Max. Fuse (A)	20.0	
Compressor Data		
Type:	Rotary	
Refrigerant oil /oil charge (ml)	ESTER OIL VG74 / 370	
Input (W)	800	
Rated current (RLA / A)	6.80	
Piping		
Refrigerant Charge (oz/g)	44.1 / 1250	
Liquid side (in/mm)	1/4" / Ø6.35	
Gas side (in/mm)	1/2" / Ø12.7	
Additional charge per ft (oz)	0.16	
Refrigerant precharge (ft/m)	25 / 7.6	
Max. refrigerant pipe length (ft/m)	82 / 25	
Max. difference in height (ft/m)	33 / 10	

Operation Range		
ODU	Cooling (°F / °C)	-13~122 / -25~50
	Heating (°F / °C)	-13~86 / -25~30
IDU	Cooling (°F / °C)	62~90 / 17~32
	Heating (°F / °C)	32~86 / 0~30
System Data		
Refrigerant Type		R410A
Design pressure (PSIG)		550/340
Dehumidification (pts/hr)		2.54
IDU	Fan motor qty (ea)	1
	Fan motor input (W)	25.0
	Fan motor RLA (A)	0.47
	Fan speed (RPM)	1150 / 900 / 700
	Air flow, H / M / L (CFM)	365 / 265 / 194
	Noise level, H / M / L (dB(A))	42 / 33 / 24
	Net weight (lbs / kg)	19.8 / 9.0
	Gross weight (lbs / kg)	25.4 / 11.5
ODU	Fan motor qty (ea)	1
	Fan motor input (W)	63
	Fan motor RLA (A)	0.40
	Fan motor speed (RPM)	800 / 750 / 650
	Air flow, Max (CFM)	1180
	Noise level, Max (dB(A))	52.5
	Net weight (lbs / kg)	79.8 / 36.2
	Gross weight (lbs / kg)	86.0 / 39.0
Accessories		
BMS-WT1-XXX (8733953127)	Wired Wall Thermostat	
BMS-DRY-XXX (8733953129)	24V Interface	
BMS-PK2-7X1 (8733951011)	25ft Lineset	
BMS-PK2-5X1 (8733951017)	16ft Lineset	

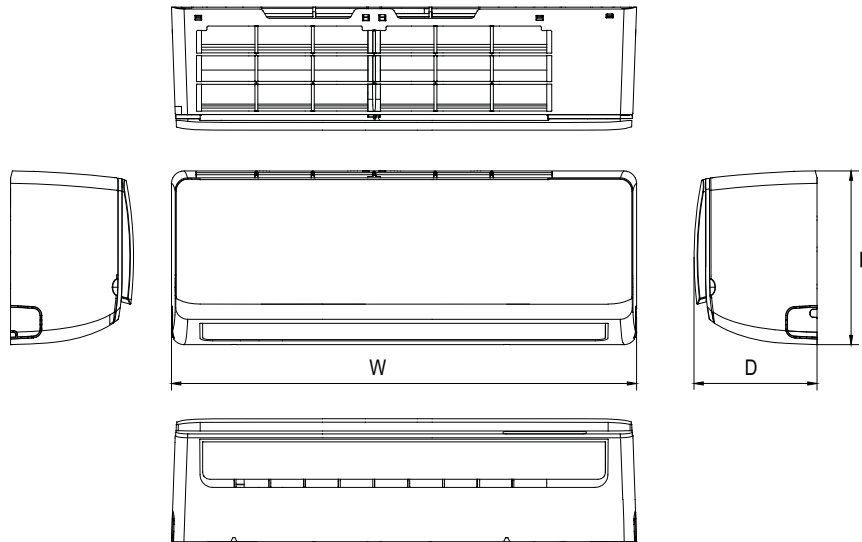
# Climate 5000 Series

115V – 12K Btu Single Zone Regular System - Wall Mounted IDU



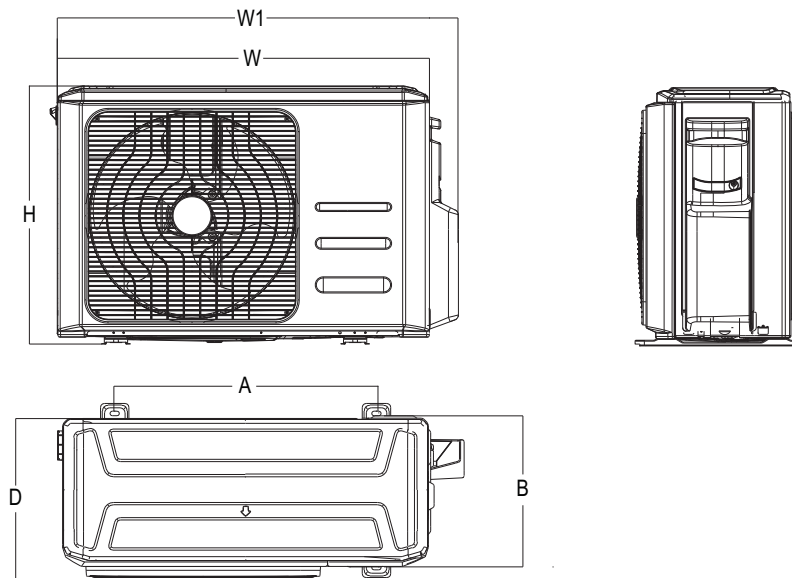
# BOSCH

### Indoor Unit Dimensions and Connections



Model	W (in)	D (in)	H (in)
BMS500-AAS012-0AHWXB	32.9	7.8	11.0

### Outdoor Unit Dimensions and Connections



Model	W (in)	D (in)	H (in)	W1 (in)	A (in)	B (in)
BMS500-AAS012-0CSXRB	31.5	13.1	21.8	34.3	20.2	13.4