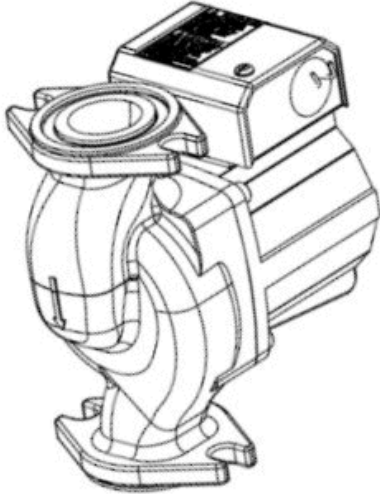


<b>JOB:</b>   <b>UNIT TAG:</b> <b>ENGINEER:</b> <b>CONTRACTOR:</b>	<b>REPRESENTATIVE:</b>   <b>ORDER NO.</b> <b>SUBMITTED BY:</b> <b>APPROVED BY:</b>	<b>DATE:</b> <b>DATE:</b> <b>DATE:</b>
---	---	--



# Series LR Iron & Lead-Free<sup>\*</sup> Bronze Booster Pumps

Where potable water is pumped,  
use a bronze Series LR circulator.



**DESCRIPTION**

The Series LR is a flanged in-line system lubricated circulating pump designed specifically for quiet operation in closed loop systems. The Series LR is available in cast iron body construction for hydronic heating systems or lead-free \* bronze body construction for potable water applications.

**CONSTRUCTION**

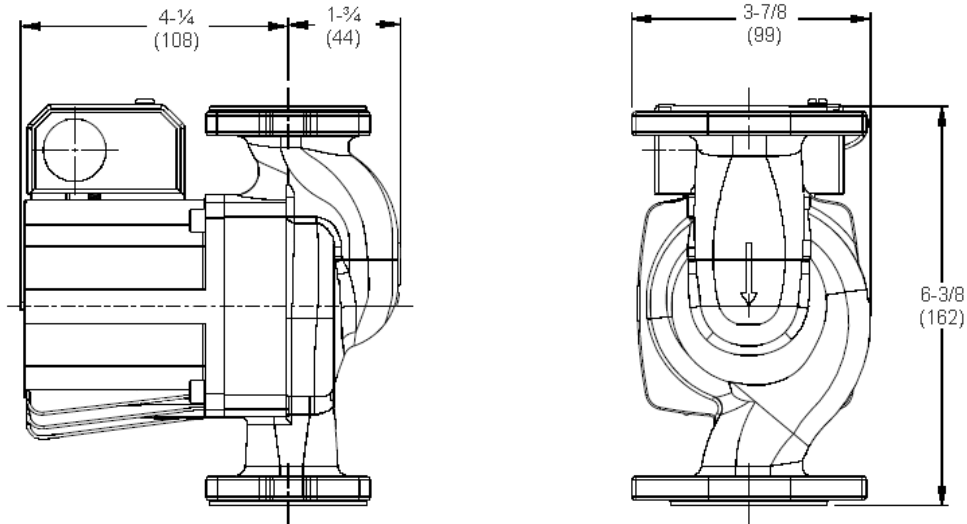
Pump Body  
 LR-20WR: Cast Iron  
 LR-15BWR: Bronze  
 Impeller: Noryl®  
 Shaft: Ceramic  
 Bearings: Carbon

**OPERATING DATA**

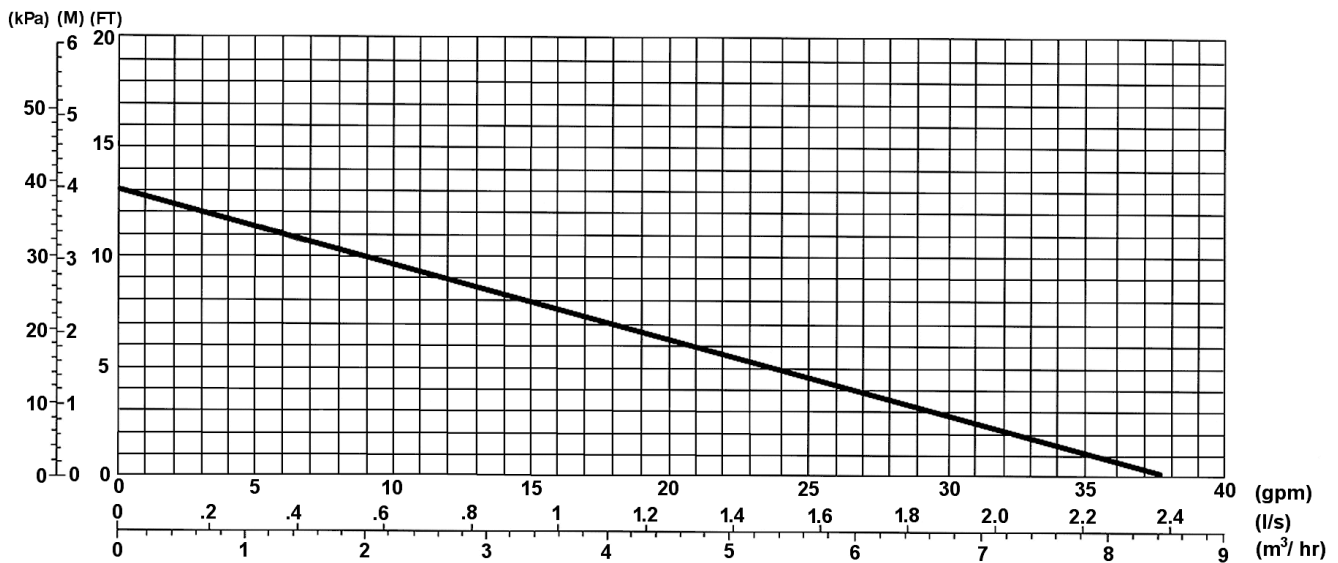
Maximum working pressure: 150 psig (10 bar)  
 Maximum operating temperature: 225°F (107°C)

Model Number	Part Number	Pump Body Material	Flange Sizes Inches-NPT	Standard 60 Cycle Motor Characteristics				Tagging	Quantity
				Watts	Voltage	F.L. Amps	RPM		
LR-20WR	106507	Cast Iron	3/4, 1, 1-1/4, 1-1/2	125	115	1.1	2950		
LR-15BWR	106514LF	Bronze	3/4, 1, 1-1/4, 1-1/2	125	115	1.1	2950		

\* Contains less than 0.25% lead content on wetted surfaces.



**PUMP PERFORMANCE CURVE**



**TYPICAL SPECIFICATIONS**

The contractor shall furnish and install in-line circulating pumps as illustrated on the plans and in accordance with the following specifications:

1. The pump shall be of the horizontal system lubricated type specifically designed and guaranteed for quiet operation.
2. Pump to be suitable for 225° F (107° C) operation at 150 PSIG (10 Bar) working pressure.
3. The pumps shall have a ceramic shaft supported by carbon bearings. Bearings are to be lubricated by the circulating fluid.

4. Motor stator to be isolated from circulating fluid through use of stainless steel can. Rotor to be sheathed in stainless steel.
5. Motors shall be non-overloading at any point on the pump curve. Motors to have built-in impedance protection.
6. The pump manufacturer shall be ISO-9001 certified.

Pumps to have a capacity of \_\_\_\_\_ GPM at \_\_\_\_\_ foot head when powered by 115 volt, 60 cycle, single phase electrical supply.  
 All pumps are to, ITT Industries-Bell & Gossett Model LR-\_\_\_\_\_.