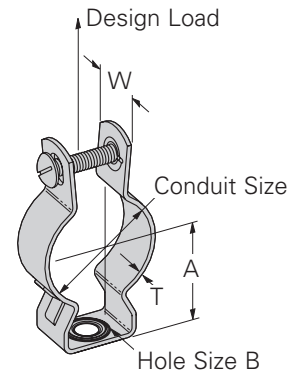


Pipe clamps

BL1400 Series Conduit Hanger

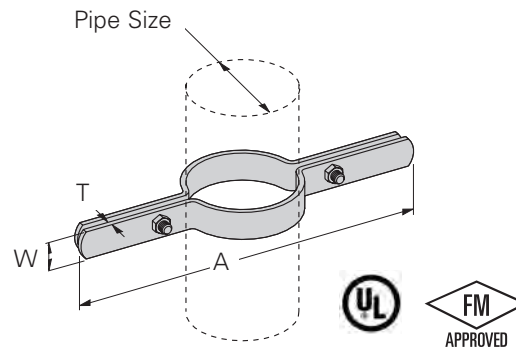
- Safety Factor of 3
- Unless noted all sizes fit both rigid (R) and thinwall (EMT) conduit
- Hardware included
- Now available in Dura-Copper™ finish - add DCU to part number.
- Standard finishes: ZN, SS4



Part No	Conduit Size	A		B		T		W		Design Load		Wt./C	
		In.	mm	In.	mm	In.	mm	In.	mm	Lbs.	kN	Lbs.	kg
BL1400	1/2" EMT & Rigid	29/32"	(23.0)	9/32"	(7.1)	16 Ga.	(1.5)	3/4"	(19.0)	50	(.222)	6	(2.7)
BL1410	3/4" EMT & Rigid	31/32"	(24.6)	9/32"	(7.1)	16 Ga.	(1.5)	3/4"	(19.0)	50	(.222)	7	(3.2)
BL1420	1" EMT & Rigid	1 1/4"	(31.7)	9/32"	(7.1)	16 Ga.	(1.5)	3/4"	(19.0)	60	(.267)	8	(3.6)
BL1425	1 1/4" EMT	1.2"	(30.5)	1/4"	(6.35)	18 Ga.	(1.2)	7/8"	(22.2)	75	(.334)	10	(4.5)
BL1430	1 1/4" Rigid, 1 1/2" EMT	1.375"	(34.9)	1/4"	(6.35)	18 Ga.	(1.2)	7/8"	(22.2)	80	(.356)	11	(5.0)
BL1440	1 1/2" Rigid	1.65"	(41.9)	5/16"	(7.94)	18 Ga.	(1.2)	1"	(25.4)	80	(.356)	16	(7.3)
BL1450	2" EMT & Rigid	1.94"	(49.3)	5/16"	(7.94)	18 Ga.	(1.2)	1"	(25.4)	100	(.445)	23	(10.4)
BL1460	2 1/2" EMT & Rigid	2.1"	(53.3)	5/16"	(7.94)	16 Ga.	(1.5)	1 1/4"	(31.7)	125	(.556)	29	(13.2)
BL1470	3" EMT & Rigid	2.45"	(62.2)	5/16"	(7.94)	16 Ga.	(1.5)	1 1/4"	(31.7)	165	(.734)	31	(14.1)
BL1480	3 1/2" EMT & Rigid	2.76"	(70.1)	5/16"	(7.94)	16 Ga.	(1.5)	1 1/4"	(31.7)	200	(.890)	38	(17.2)
BL1490	4" EMT & Rigid	3"	(76.2)	5/16"	(7.94)	16 Ga.	(1.5)	1 1/4"	(31.7)	230	(1.023)	38	(17.2)

B3373 Series Riser Clamp

- Safety Factor of 3.5
- B3373-3/4 thru B3373-8 are UL Listed
- B3373-3/4 thru B3373-6 are FM Approved
- Includes hex head cap screws and hex nuts
- Standard finishes: ZN, PLN



Part No.	Pipe Size		A		Design Load		Wt./C	
	In.	mm	In.	mm	Lbs.	kN	Lbs.	kg
B3373-1/2	1/2"	(15)	9"	(228.6)	255	(1.13)	101	(45.9)
B3373-3/4	3/4"	(20)	9 1/4"	(234.9)	255	(1.13)	105	(47.7)
B3373-1	1"	(25)	9 9/16"	(242.9)	255	(1.13)	109	(49.4)
B3373-1 1/4	1 1/4"	(32)	10"	(254.0)	255	(1.13)	112	(50.9)
B3373-1 1/2	1 1/2"	(32)	10 1/4"	(260.3)	255	(1.13)	113	(51.1)
B3373-2	2"	(40)	10 3/4"	(273.0)	255	(1.13)	165	(75.0)
B3373-2 1/2	2 1/2"	(50)	11 1/4"	(285.7)	390	(1.73)	180	(81.6)
B3373-3	3"	(65)	11 15/16"	(303.2)	530	(2.36)	195	(88.4)
B3373-3 1/2	3 1/2"	(80)	12 3/8"	(314.3)	670	(2.98)	217	(98.5)
B3373-4	4"	(90)	12 7/8"	(327.0)	810	(3.60)	228	(103.5)
B3373-5	5"	(100)	14"	(355.6)	1160	(5.16)	480	(217.7)
B3373-6	6"	(100)	15 3/16"	(385.8)	1570	(6.98)	526	(238.6)
B3373-8	8"	(100)	17 3/4"	(450.8)	2500	(11.12)	957	(434.1)

Reference page 168 for general fitting and standard finish specifications.