

Job Name _____

Contractor _____

Job Location _____

Approval _____

Engineer _____

Contractor's P.O. No. _____

Approval _____

Representative _____

Series 335

Bronze Boiler Pressure Relief Valves

Size: 3/4" x 3/4"

Series 335 ASME rated Boiler Pressure Relief Valves were developed to fill the OEM need of the hydronic industry for a smaller valve on popular size boilers up to 510,000 BTU at 30psi (2.11 bar).

The compact design, all bronze construction and modern appearance make them an ideal choice for a wide variety of smaller size OEM boilers.

Features

- Stainless steel spring
- High heat resisting silicone disc
- Bronze seat

Specifications

Series 335 ASME Tested and Rated Hot Water Boiler Safety Relief Valves shall be installed on boiler where noted. Valve shall be manufactured out of bronze with stainless steel spring, silicon disc and bronze seat. Valve shall have a maximum operating pressure of 30psi (2.11 bar) for boilers up to 510,000 BTU. Valve shall be a Watts Series 335.

Models

Series 335 are furnished with a choice of female inlet connection No. 335-M2 or male inlet connection No. M335-M2. Size 3/4" x 3/4" set 30psi (2.11 bar).

Materials

Bronze seat
Stainless steel spring
Silicone disc

Pressure — Temperature

30psi (2.11 bar) with corresponding high BTU/hr rating up to 510,000

Approvals



335-M2



M335-M2

WARNING

Following installation, the valve lever MUST be operated AT LEAST ONCE A YEAR to ensure that the water-ways are clear.

Certain naturally occurring mineral deposits may adhere to the valve, rendering it inoperative. When manually operating the lever, water will discharge and precautions must be taken to avoid contact with hot water and to avoid water damage. **BEFORE operating lever**, check to see that a discharge line is connected to this valve directing the flow of hot water from the valve to a proper place of disposal otherwise personal injury may result. If no water flows, valve is inoperative. **CALL A PLUMBER IMMEDIATELY.**

This device is designed for emergency safety relief and shall not be used as an operating control.

NOTICE

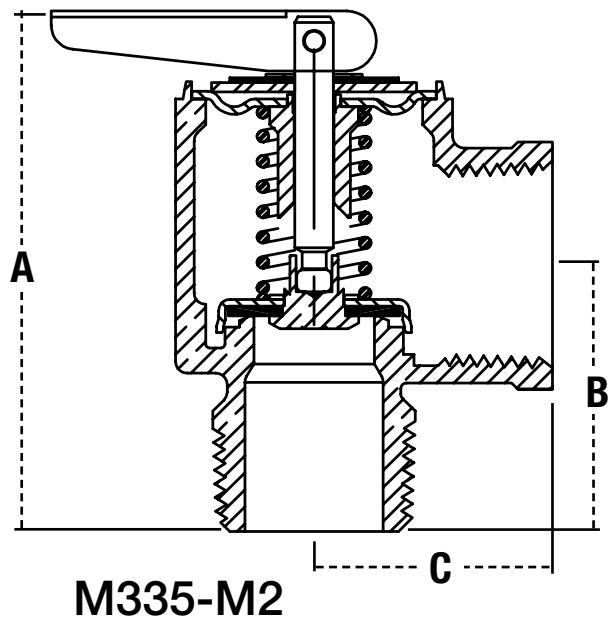
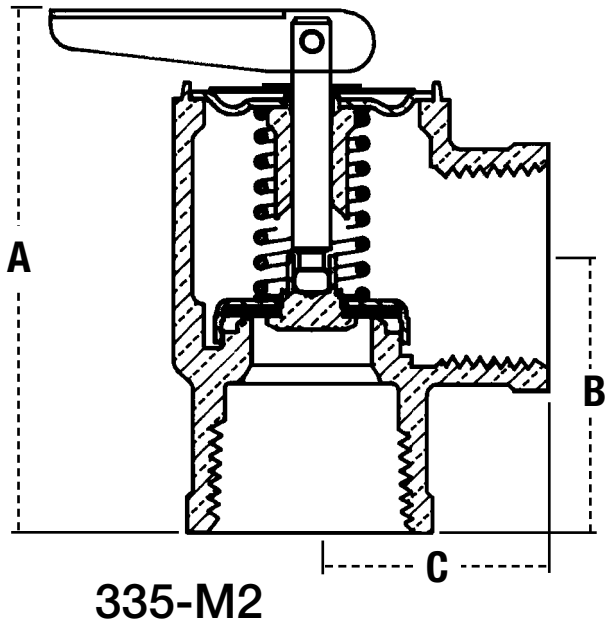
The information contained herein is not intended to replace the full product installation and safety information available or the experience of a trained product installer. You are required to thoroughly read all installation instructions and product safety information before beginning the installation of this product.

NOTICE

Inquire with governing authorities for local installation requirements

Watts product specifications in U.S. customary units and metric are approximate and are provided for reference only. For precise measurements, please contact Watts Technical Service. Watts reserves the right to change or modify product design, construction, specifications, or materials without prior notice and without incurring any obligation to make such changes and modifications on Watts products previously or subsequently sold.





Dimensions – Weights

SIZE	MODEL	Connections		Setting		Steam Pressure Discharge Capacity	DIMENSIONS						WEIGHT	
		Inlet	Outlet	psi	bar		A		B		C		lbs.	kg
3/4	335-M2	Female	Female	30	2.11	510,000	2 3/4	70	1 3/8	35	1 1/4	31	0.50	.23
3/4	M335-M2	Male	Female	30	2.11	510,000	2 3/4	70	1 3/8	35	1 1/4	31	0.46	.21



USA: Tel: (978) 689-6066 • Fax: (978) 975-8350 • Watts.com
 Canada: Tel: (905) 332-4090 • Fax: (905) 332-7068 • Watts.ca
 Latin America: Tel: (52) 81-1001-8600 • Watts.com