



Water Feeders – Electric

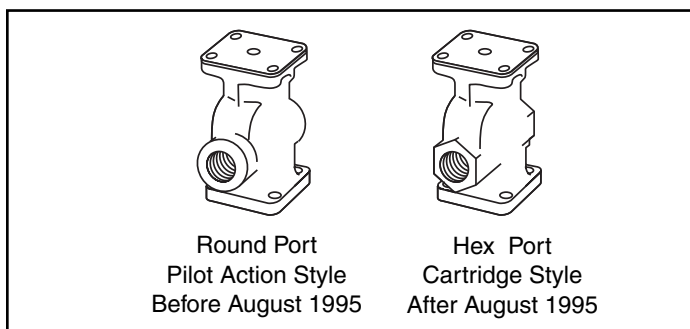
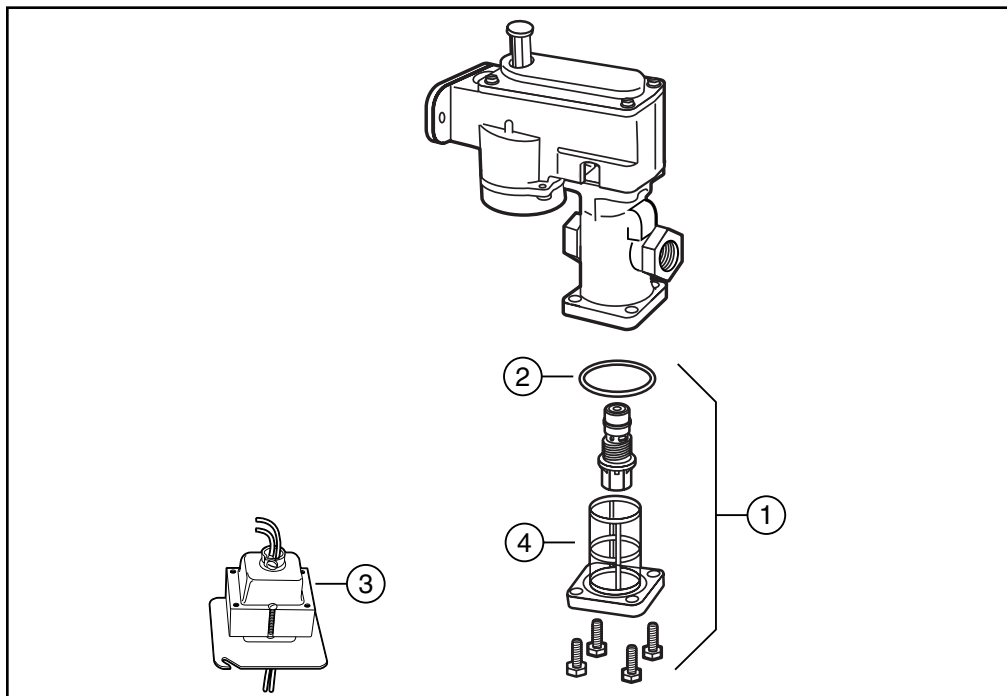
Series 101-A Electric Water Feeders



Series 101-A

Components

Item Number	Part Number	Model Number	Description	Weight lbs. (kg)
1	310453	CTRD-101	Cartridge & strainer kit	0.8 (.36)
2	324435	37-101	Tetraseal O-ring	0.1 (.05)
3	324100	101-24V-48	Transformer (24V)	3.5 (1.6)
4	347100	SA-101-38	Strainer (includes item 2)	0.7 (.32)



BOILER CONTROLS