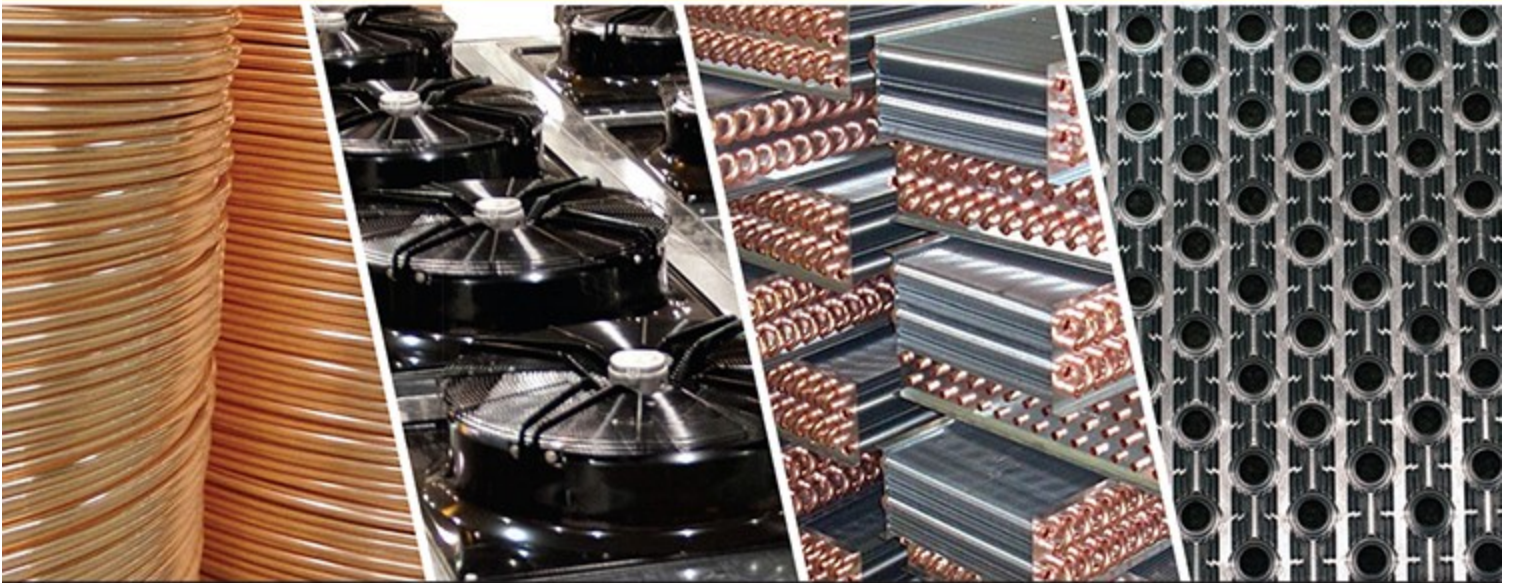


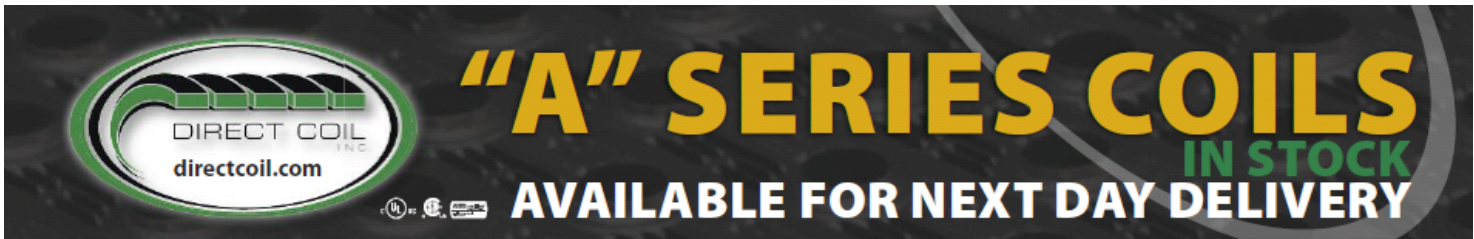


# INNOVATIVE HEAT TRANSFER PRODUCTS



## 2020 "A" Series Catalog

5055 Taylor Kidd Blvd. Millhaven, Ontario Canada, K0H 1G0  
TEL: (613) 544-2200 FAX: (613) 544-7779



**Index**

<u>Series</u>	<u>Description</u>	<u>Page</u>
ATX	Custom Built Coil Worksheet	3
ATQ	ARI Certified Hot Water Duct Coils	4-7
AQH	High Performance Hot Water Duct Coils	8-9
ACMU	City-Multi 1Row Hot Water Coils	10-12
AXQ	Cased Hot Water Coils	13-19
ATS	Steam Duct Coils	20
ACWH	Cased Horizontal Chilled-Hot Water Coils	21-22
ACCW	Multi-Position Chilled—Hot Water Coils	23-25
ADCX-H	Cased Horizontal DX Coils	26
ADCX-A	“A” Style Uncased DX Coils	27
ADCX-M	“M” Style Uncased DX Coils	27



24 hr., 1 or 2 week production cycles are available!



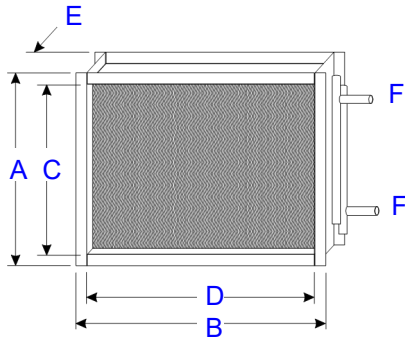


# "A" SERIES COILS

**IN STOCK**

**AVAILABLE FOR NEXT DAY DELIVERY**

## ATX Custom Coil Worksheet



**Hot or Chilled Water, Steam, Condenser & DX Coils** .....Built to your specifications.

*Don't lose out on jobs, big or small!*

1 or 2 week production cycles are available!

Just fill out the worksheet below and fax it to [516 599-2000](tel:5165992000).

### NOTES

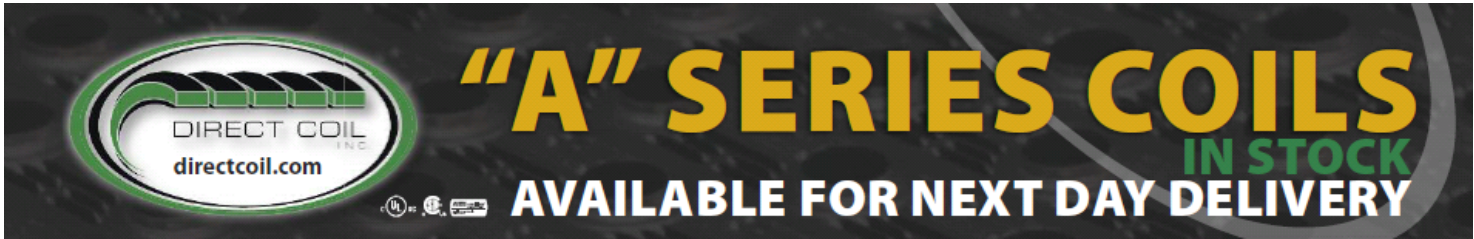
#### DUCT COIL PERFORMANCE DATA

Item	QTY	ROWS	BTU's	CFM	GPM	EWT	EAT
1							
2							
3							

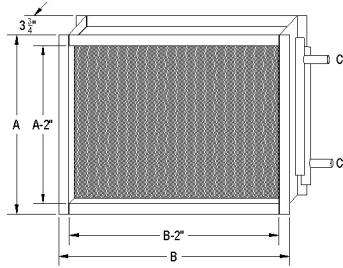
#### DUCT COIL DIMENSIONAL DATA

Item	A	B	C	D	E	F
1						
2						
3						

Wholesaler Name	Job Name	Tel. #	Fax #	Contact



## ATQ Series 1 Row Hot Water Duct Coils



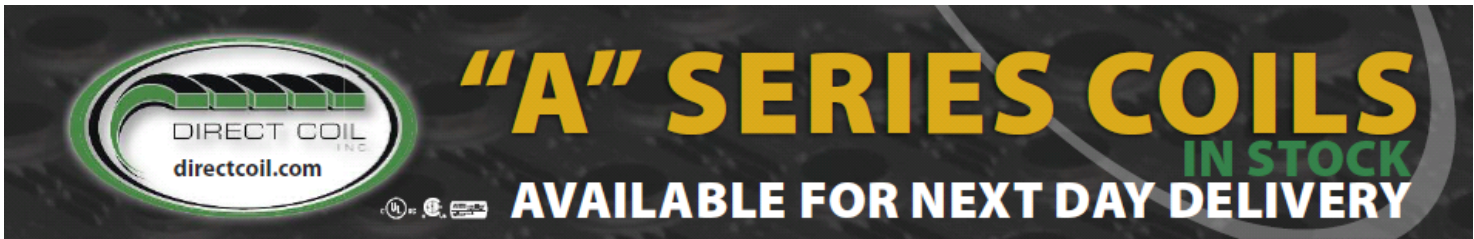
- ARI 410 Certified
- Galvanized Steel 16 Ga. frame
- Aluminum Fins, .0060 thickness
- Copper Tubing, 1/2" w/ .015 wall
- Max 500 PSI Operating Pressure
- Max 2500 PSI Ultimate Pressure
- BTU outputs from 11,000 to 90,000
- Horizontal/Vertical Installation
- Full one year warranty
- Call for other performance criteria ratings.

Part #	GPM	CFM	BTUH	APD	A	B	C
ATQ-1-0712	4	300	11,700	.08	9.5	14	7/8
		400	13,360	.12			
		500	15,230	.18			
ATQ-1-1212	4	600	20,990	.10	14.5	14	7/8
		700	22,660	.14			
		800	24,160	.17			
ATQ-1-1218	4	900	30,530	.10	14.5	20	7/8
		1000	32,120	.12			
		1100	33,580	.15			
ATQ-1-1224	4	1400	42,370	.14	14.5	26	7/8
		1500	43,670	.15			
		1600	44,900	.17			
ATQ-1-1515	4	1000	32,120	.12	17	17	7/8
		1100	33,580	.15			
		1200	34,920	.17			
ATQ-1-1520	4	1300	40,980	.12	17	22	7/8
		1400	42,370	.14			
		1500	43,670	.15			
ATQ-1-1524	4	1600	48,480	.12	17	26	7/8
		1700	49,760	.14			
		1800	51,020	.15			
ATQ-1-1530	4	2000	58,870	.12	17	32	7/8
		2100	60,290	.14			
		2200	61,650	.15			

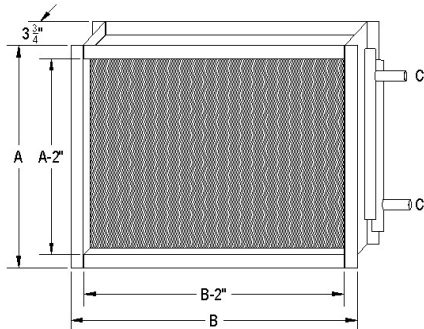
Part #	GPM	CFM	BTUH	APD	A	B	C
ATQ-1-1536	4	2500	70,410	.13	17	38	7/8
		2600	71,690	.14			
		2700	72,940	.15			
ATQ-1-1718	4	1400	41,620	.12	19.5	20	7/8
		1500	42,860	.14			
		1600	44,020	.16			
ATQ-1-1724	4	1900	53,780	.13	19.5	26	7/8
		2000	55,110	.14			
		2100	56,380	.15			
ATQ-1-1730	4	2400	65,880	.13	19.5	32	7/8
		2500	67,110	.14			
		2700	69,430	.16			
ATQ-1-1736	4	2800	76,000	.12	19.5	38	7/8
		3000	78,310	.14			
		3200	80,480	.16			
ATQ-1-2024	4	2300	60,170	.14	19.5	44	1 1/8
		2500	62,390	.16			
		2700	64,450	.19			
ATQ-1-2036	4	3600	86,280	.15	22	38	1-1/8
		3800	88,100	.17			
		4000	89,820	.18			

New

Performance data based on 65° EAT, 180° EWT



## ATQ Series 2 Row Hot Water Duct Coils

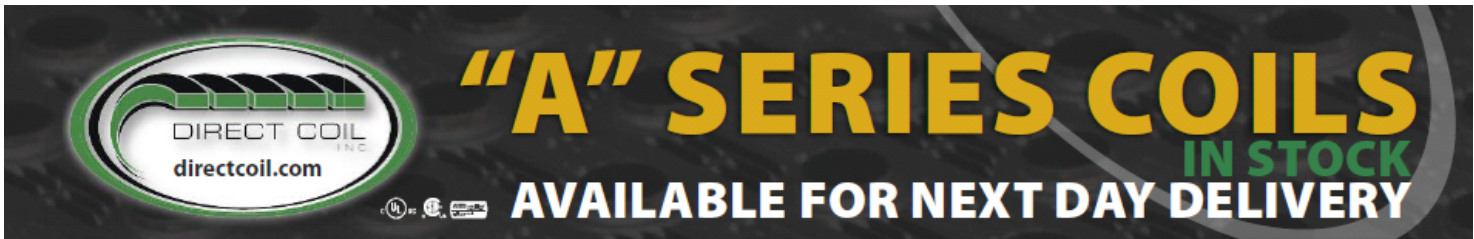


- ARI 410 Certified
- Galvanized Steel 16 Ga. frame
- Aluminum Fins, .0060 thickness
- Copper Tubing, 1/2" w/ .015 wall
- Max 500 PSI Operating Pressure
- Max 2500 PSI Ultimate Pressure
- BTU outputs from 14,000 to 120,000
- Horizontal/Vertical Installation
- Full one year warranty
- Call for other performance criteria ratings

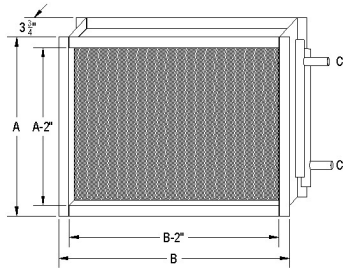
Part #	GPM	CFM	BTUH	APD	A	B	C
ATQ-2-0712	4	200	14,920	.08	9.5	14	7/8
		300	19,400	.15			
		400	23,010	.25			
ATQ-2-1024	7.2	800	50,270	.15	12	26	7/8
		900	53,860	.19			
		1000	57,160	.22			
ATQ-2-1212	4	400	27,360	.10	14.5	14	7/8
		500	31,360	.15			
		600	34,830	.21			
ATQ-2-1215	7.2	600	38,880	.14	14.5	17	7/8
		700	42,650	.19			
		800	46,070	.23			
ATQ-2-1218	7.2	800	49,180	.17	14.5	20	7/8
		900	52,640	.21			
		1000	55,820	.25			
ATQ-2-1224	7.2	1100	65,250	.18	14.5	26	7/8
		1200	68,490	.21			
		1300	71,520	.24			
ATQ-2-1236	7.2	1600	91,990	.17	14.5	38	7/8
		1800	97,840	.21			
		2000	103,150	.25			

Part #	GPM	CFM	BTUH	APD	A	B	C
ATQ-2-1515	7.2	700	45,400	.14	17	17	7/8
		800	49,180	.17			
		900	52,640	.21			
ATQ-2-1518	7.2	900	56,080	.15	17	20	7/8
		1000	59,610	.18			
		1100	62,880	.22			
ATQ-2-1520	7.2	1100	65,250	.18	17	22	7/8
		1200	68,490	.21			
		1300	71,520	.24			
ATQ-2-1524	7.2	1400	79,390	.20	17	26	7/8
		1500	82,360	.22			
		1600	85,170	.25			
ATQ-2-1530	7.2	1700	94,990	.19	17	32	7/8
		1800	97,840	.21			
		1900	100,560	.23			
ATQ-2-1536	7.2	2000	109,740	.18	17	38	7/8
		2200	115,070	.22			
		2400	119,950	.25			

Performance data based on 65° EAT, 180° EWT



## ATQ Series 2 & 3 Row Hot Water Duct Coils



- ARI 410 Certified
- Galvanized Steel 16 Ga. frame
- Aluminum Fins, .0060 thickness
- Copper Tubing, 1/2" w/ .015 wall
- Max 500 PSI Operating Pressure
- Max 2500 PSI Ultimate Pressure
- BTU outputs from 30,000 to 140,000
- Horizontal/Vertical Installation
- Full one year warranty
- Call for other performance criteria ratings

Part #	GPM	CFM	BTUH	APD	A	B	C
ATQ-2-1718	7.2	1100	66,350	.17	19.5	20	7/8
		1200	69,670	.19			
		1300	72,780	.22			
ATQ-2-1724	7.2	1400	83,610	.15	19.5	26	1 1/8
		1500	86,830	.17			
		1600	89,890	.19			
ATQ-2-1730	7.2	1700	99,900	.15	19.5	32	1 1/8
		1900	105,920	.18			
		2100	111,410	.21			
ATQ-2-1736	10	2200	125,370	.17	19.5	38	1 1/8
		2400	131,170	.19			
		2600	136,570	.22			
ATQ-2-2020	7.2	1300	74,660	.15	22	22	7/8
		1500	80,390	.19			
		1700	85,460	.23			
ATQ-2-2025	7.2	1600	90,150	.14	22	27	7/8
		1800	95,640	.17			
		2000	100,580	.21			
ATQ-2-2030	10	2100	119,020	.17	22	32	1 1/8
		2300	124,760	.19			
		2500	130,070	.22			
ATQ-2-2036	10	2600	141,530	.18	22	38	1 1/8
		2800	146,810	.20			
		3000	151,740	.22			

Part #	GPM	CFM	BTUH	APD	A	B	C
ATQ-2-2525	7.2	2100	111,650	.16	27	27	1 1/8
		2400	118,790	.19			
		2700	125,070	.24			
ATQ-3-1215	7.2	500	43,930	.16	14.5	17	7/8
		600	49,990	.21			
		700	55,300	.28			
ATQ-3-1520	7.2	800	66,090	.16	17	22	7/8
		900	71,320	.19			
		1000	76,170	.23			
ATQ-3-2020	7.2	1100	85,840	.17	22	22	7/8
		1200	90,460	.19			
		1300	94,800	.22			
ATQ-3-2025	7.2	1400	105,550	.17	22	27	7/8
		1500	109,840	.19			
		1600	113,880	.21			
ATQ-3-2030	10	1700	132,900	.17	22	32	1 1/8
		1800	137,600	.19			
		1900	142,110	.21			
ATQ-3-2525	10	1800	135,530	.19	27	27	1 1/8
		1900	139,890	.21			
		2000	144,050	.23			

Performance data based on 65° EAT, 180° EWT

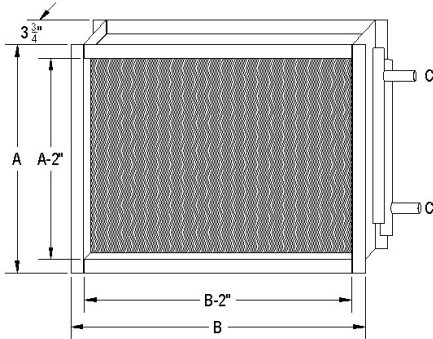


# "A" SERIES COILS

**IN STOCK**

**AVAILABLE FOR NEXT DAY DELIVERY**

## ATQ Series Commercial 2 Row Hot Water Duct Coils



- ARI 410 Certified
- Galvanized Steel 16 Ga. frame
- Aluminum Fins, .0060 thickness
- Copper Tubing, 1/2" w/ .015 wall
- Max 500 PSI Operating Pressure
- Max 2500 PSI Ultimate Pressure
- BTU outputs from 30,000 to 140,000
- Horizontal/Vertical Installation
- Full one year warranty
- Call for other performance criteria ratings

**New**

Part #	GPM	CFM	BTUH	APD	A	B	C
ATQ-2-2048	12.	3000	174,750	.14	22	50	1 1/8
		3300	183,580	.16			
		3600	191,720	.19			
ATQ-2-2324	16	1700	107,620	.13	25 3/4	26	1 1/8
		2000	118,150	.17			
		2300	127,540	.21			
ATQ-2-2336	20	2600	163,960	.13	25 3/4	38	1 3/8
		3000	177,970	.17			
		3400	190,620	.21			
ATQ-2-2348	20	3600	217,410	.14	25 3/4	50	1 3/8
		4000	230,310	.17			
		4400	242,200	.20			
ATQ-2-3036	20	3600	213,490	.15	32	38	1 3/8
		4000	226,030	.18			
		4400	237,570	.22			
ATQ-2-3048	24	4600	278,180	.14	32	50	1 3/8
		5000	291,240	.16			
		5400	303,470	.19			
ATQ-2-3054	24	5600	321,770	.16	32	56	1 3/8
		6000	333,620	.18			
		6400	344,800	.20			

**New**

**New**

Performance data based on 65° EAT, 180° EWT

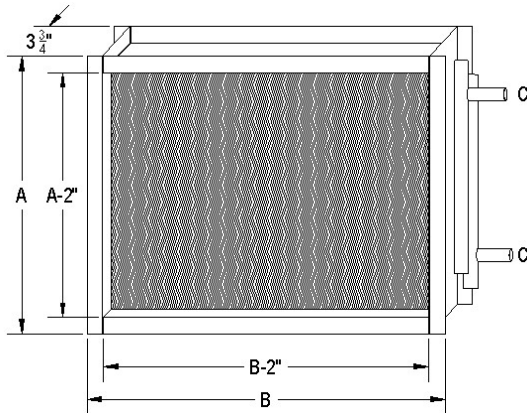


# "A" SERIES COILS

**IN STOCK**

**AVAILABLE FOR NEXT DAY DELIVERY**

## AQH Series 2 Row Hot Water Duct Coils



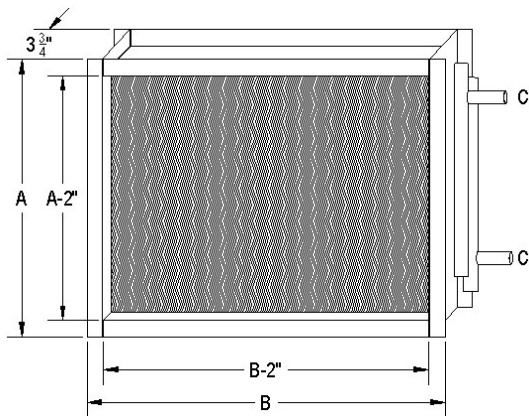
- Galvanized Steel 18 Ga. frame
- Corrugated Aluminum Fins
- 0.012 Wall Copper Tubing
- Copper Sweat - Supply/Return
- Max 500 PSI Operating Pressure
- Max 2500 PSI Ultimate Pressure
- Horizontal/Vertical Installation
- Immersion Tested @ 350 psi
- One Year Warranty

Part #	GPM	CFM	BTUH	APD	A	B	C
AQH-2-1216	5	400	31,290	.07	14	18	7/8
		500	36,220	.11			
		600	40,570	.15			
		700	44,460	.19			
		800	47,960	.24			
AQH-2-1620	7	900	62,730	.12	18	22	7/8
		1000	66,870	.15			
		1100	70,730	.17			
		1200	74,350	.20			
		1300	77,740	.23			
AQH-2-2020	8	1300	84,310	.16	22	22	1 1/8
		1400	87,960	.18			
		1500	91,430	.20			
		1600	94,710	.22			
		1700	97,840	.25			
AQH-2-2026	8	1800	110,090	.17	22	28	1 1/8
		1900	113,350	.19			
		2000	116,450	.21			
		2100	119,430	.23			
		2200	122,290	.24			
AQH-2-2032	8	2300	133,840	.18	22	34	1 1/8
		2400	136,760	.20			
		2500	139,570	.21			
		2600	142,270	.23			
		2700	144,880	.24			
AQH-2-2424	10	2000	124,450	.17	26	26	1 1/8
		2100	127,840	.19			
		2200	131,110	.20			
		2300	134,260	.22			
		2400	137,300	.24			

Performance data based on 60° EAT, 180° EWT



### AQH Series 3 Row Hot Water Duct Coils



- Galvanized Steel 18 Ga. frame
- Corrugated Aluminum Fins
- 0.012 Wall Copper Tubing
- Copper Sweat - Supply/Return
- Max 500 PSI Operating Pressure
- Max 2500 PSI Ultimate Pressure
- Horizontal/Vertical Installation
- Immersion Tested @ 350 psi
- One Year Warranty

Part #	GPM	CFM	BTUH	APD	A	B	C
AQH-3-1620	8	700	65,550	.12	18	22	7/8
		800	71,990	.15			
		900	77,980	.18			
		1000	83,570	.22			
		1100	88,790	.26			
AQH-3-2020	10	1000	89,990	.15	22	22	1 1/8
		1100	96,020	.18			
		1200	101,720	.20			
		1300	107,120	.23			
		1400	112,250	.27			
AQH-3-2026	10	1400	120,270	.17	22	28	1 1/8
		1500	125,750	.19			
		1600	130,990	.21			
		1700	136,000	.24			
		1800	140,790	.26			
AQH-3-2032	12	1800	153,390	.18	22	34	1 1/8
		1900	158,830	.20			
		2000	164,070	.22			
		2100	169,120	.24			
		2200	174,000	.26			
AQH-3-2424	12	1600	137,030	.18	26	26	1 1/8
		1700	142,530	.20			
		1800	147,800	.22			
		1900	152,880	.24			
		2000	157,760	.26			

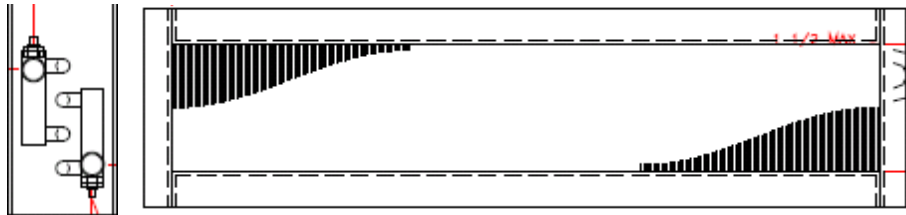
Performance data based on 60° EAT, 180° EWT



# "A" SERIES COILS

**IN STOCK**  
**AVAILABLE FOR NEXT DAY DELIVERY**

## ACMU Series 1 Row Hot Water Duct Coils



Dimensional Data	<u>FH</u>	<u>FL</u>	<u>OAH</u>	<u>OAL</u>	<u>W</u>	<u>Conn</u>
ACMU-1-0526	5	26	7 3/4	28	4	7/8 OD
ACMU-1-0533	5	33	7 3/4	35	4	7/8 OD
ACMU-1-0541	5	41	7 3/4	43	4	7/8 OD

ACMU-1-0526	<u>CFM</u>	<u>BTU</u>	<u>sp</u>	<u>wpd</u>	<u>LAT</u>	<u>LWT</u>
PEFY P 06 NMSU-ER2	176	<b>11,820</b>	0.02	3.82	126	176.97
	212	<b>13,430</b>	0.03	3.82	122.85	176.55
	247	<b>14,870</b>	0.03	3.82	119.97	176.18
PEFY P 08 NMSU-ER2	194	<b>12,640</b>	0.03	3.82	124.52	176.76
	247	<b>13,430</b>	0.03	3.82	122.85	176.55
	317	<b>17,450</b>	0.05	3.82	115.28	175.52
PEFY P 12 NMSU-ER2	211	<b>13,390</b>	0.03	3.82	122.94	176.56
	282	<b>16,210</b>	0.04	3.82	117.48	175.84
	370	<b>19,200</b>	0.07	3.82	112.39	175.07
ACMU-1-0533	<u>CFM</u>	<u>BTU</u>	<u>sp</u>	<u>wpd</u>	<u>LAT</u>	<u>LWT</u>
PEFY 15 NMSU-ER2	282	<b>17,600</b>	0.03	4.44	121.99	175.48
	335	<b>19,710</b>	0.04	4.44	118.72	174.94
	388	<b>21,640</b>	0.05	4.44	115.94	174.45
PEFY 18 NMSU-ER2	353	<b>20,380</b>	0.04	4.44	117.73	174.77
	441	<b>23,430</b>	0.06	4.44	113.52	173.99
	529	<b>26,130</b>	0.08	4.44	110.12	173.29
ACMU-1-0541	<u>CFM</u>	<u>BTU</u>	<u>sp</u>	<u>wpd</u>	<u>LAT</u>	<u>LWT</u>
PEFY 24 NMSU-ER2	423	<b>24,570</b>	0.04	5.11	118.05	173.69
	565	<b>29,410</b>	0.06	5.11	112.54	172.45
	706	<b>33,530</b>	0.09	5.11	108.36	171.4

All ratings based on 65 degree EAT, 180 degree EWT, 8 GPM



# "A" SERIES COILS

**IN STOCK**  
**AVAILABLE FOR NEXT DAY DELIVERY**

Dimensional Data	<u>FH</u>	<u>FL</u>	<u>OAH</u>	<u>OAL</u>	<u>W</u>	<u>Conn</u>
ACMU-1-0726	7 1/2	26	9 1/2	28	4	7/8 OD
ACMU-1-0733	7 1/2	33	9 1/2	35	4	7/8 OD
ACMU-1-0741	7 1/2	41	9 1/2	43	4	7/8 OD
ACMU-1-0753	7 1/2	53	9 1/2	55	4	7/8 OD
ACMU-1-0759	7 1/2	59	9 1/2	61	4	7/8 OD

ACMU-1-0726	<u>CFM</u>	<u>BTU</u>	<u>sp</u>	<u>wpd</u>	<u>LAT</u>	<u>LWT</u>
PEFY P 06, 08 NMAU-E2	212	<b>14,930</b>	0.01	2.06	129.31	176.17
	266	<b>17,470</b>	0.02	2.06	124.97	175.52
	300	<b>18,940</b>	0.02	2.06	122.65	175.14
PEFY P 12 NMAU-E2	266	<b>17,470</b>	0.02	2.06	124.97	175.52
	318	<b>19,680</b>	0.03	2.06	121.52	174.95
	371	<b>21,750</b>	0.03	2.06	118.53	174.42

ACMU-1-0733	<u>CFM</u>	<u>BTU</u>	<u>sp</u>	<u>wpd</u>	<u>LAT</u>	<u>LWT</u>
PEFY P15 NMAU-E2	363	<b>23,310</b>	0.02	2.38	123.63	174.02
	424	<b>25,820</b>	0.03	2.38	120.6	173.37
	494	<b>28,460</b>	0.03	2.38	117.62	172.7
PEFY P18 NMAU-E2	424	<b>25,820</b>	0.03	2.38	120.6	173.37
	512	<b>29,110</b>	0.04	2.38	116.92	172.53
	600	<b>32,080</b>	0.05	2.38	113.83	171.77

ACMU-1-0741	<u>CFM</u>	<u>BTU</u>	<u>sp</u>	<u>wpd</u>	<u>LAT</u>	<u>LWT</u>
PEFY P 24, 27, 30 NMAU-E2	618	<b>35,090</b>	0.04	2.69	116.85	170.99
	742	<b>39,210</b>	0.05	2.69	113.26	169.94
	883	<b>43,390</b>	0.07	2.69	109.87	168.87

ACMU-1-0753	<u>CFM</u>	<u>BTU</u>	<u>sp</u>	<u>wpd</u>	<u>LAT</u>	<u>LWT</u>
PEFY P 36 NMAU-E2	812	<b>45,260</b>	0.04	3.18	115.9	168.38
	989	<b>50,880</b>	0.05	3.18	111.98	166.94
	1166	<b>55,850</b>	0.07	3.18	108.74	165.67
PEFY P 48 NMAU-E2	989	<b>50,880</b>	0.05	3.18	111.98	166.94
	1201	<b>56,770</b>	0.07	3.18	108.17	165.43
	1412	<b>61,920</b>	0.09	3.18	105.05	164.11

ACMU-1-0759	<u>CFM</u>	<u>BTU</u>	<u>sp</u>	<u>wpd</u>	<u>LAT</u>	<u>LWT</u>
PEFY P 54 NMAU-E2	1042	<b>54,190</b>	0.05	3.39	112.49	166.09
	1254	<b>60,180</b>	0.07	3.39	108.82	164.56
	1483	<b>65,870</b>	0.09	3.39	105.56	163.1

All ratings based on 65 degree EAT, 180 degree EWT, 8 GPM

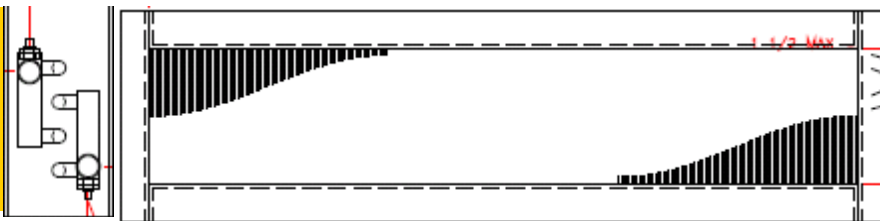


# "A" SERIES COILS

**IN STOCK**

**AVAILABLE FOR NEXT DAY DELIVERY**

## ACMU Series 1 Row Hot Water Duct Coils



Dimensional Data	<u>FH</u>	<u>FL</u>	<u>OAH</u>	<u>OAL</u>	<u>W</u>	<u>Conn</u>
ACMU-1-0821	8 1/4	21 1/2	11 3/4	23 1/2	4	7/8 OD
ACMU-1-0832	8 1/4	32 3/4	11 3/4	35 3/4	4	7/8 OD
ACMU-1-0839	8 1/4	39	11 3/4	41	4	7/8 OD
ACMU-1-1343	13 3/4	43 1/4	15 3/4	45 1/4	4	1 1/4 OD
ACMU-1-0821	<u>CFM</u>	<u>BTU</u>	<u>sp</u>	<u>wpd</u>	<u>LAT</u>	<u>LWT</u>
PEFY P 15, 18 NMHU-E2	353	<b>23,600</b>	0.04	2.1	126.04	173.94
	494	<b>29,150</b>	0.06	2.1	118.89	172.52
PEFY P 24 NMHU-E2	477	<b>28,540</b>	0.06	2.1	119.64	172.68
	671	<b>34,830</b>	0.11	2.1	112.4	171.06
ACMU-1-0832	<u>CFM</u>	<u>BTU</u>	<u>sp</u>	<u>wpd</u>	<u>LAT</u>	<u>LWT</u>
PEFY P 27 NMHU-E2	547	<b>35,830</b>	0.04	2.63	124.81	170.81
	777	<b>44,420</b>	0.07	2.63	117.2	168.6
PEFY P 30 NMHU-E2	636	<b>39,380</b>	0.05	2.63	121.55	169.89
	883	<b>47,800</b>	0.08	2.63	114.44	167.73
ACMU-1-0839	<u>CFM</u>	<u>BTU</u>	<u>sp</u>	<u>wpd</u>	<u>LAT</u>	<u>LWT</u>
PEFY P 36, 48 NMHU-E2	936	<b>52,680</b>	0.7	2.92	116.4	166.48
	1342	<b>64,100</b>	0.13	2.92	108.62	163.55
PEFY P 54 NMHU-E2	989	<b>54,360</b>	0.08	2.92	115.2	166.05
	1412	<b>65,780</b>	0.14	2.92	107.54	163.12
ACMU-1-1343	<u>CFM Range</u>	<u>BTU</u>	<u>sp</u>	<u>wpd</u>	<u>LAT</u>	<u>LWT</u>
PEFY P-72NMHSU-E	1766	<b>91,140</b>	0.08	4.27	112.13	156.61
	2154	<b>100,730</b>	0.11	4.27	107.71	154.15
	2542	<b>108,870</b>	0.15	4.27	104.11	152.06
PEFY P-96NMHSU-E	2048	<b>98,270</b>	0.1	4.27	108.82	154.78
	2507	<b>108,190</b>	0.14	4.27	104.41	152.24
	2966	<b>116,480</b>	0.19	4.27	100.86	150.11

All ratings based on 65 degree EAT, 180 degree EWT, 8 GPM



# "A" SERIES COILS

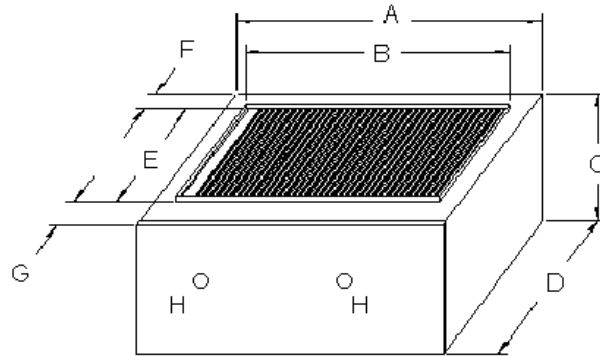
**IN STOCK**

**AVAILABLE FOR NEXT DAY DELIVERY**



## AXQ "C" Series Cased Hot Water Coils

- ◆ SIMPLE INSTALLATION
- ◆ GALVANIZED EMBOSSED CASE
- ◆ SWEAT CONNECTIONS
- ◆ HORIZONTAL OR VERTICAL MOUNTING
- ◆ 1 YEAR WARRANTY

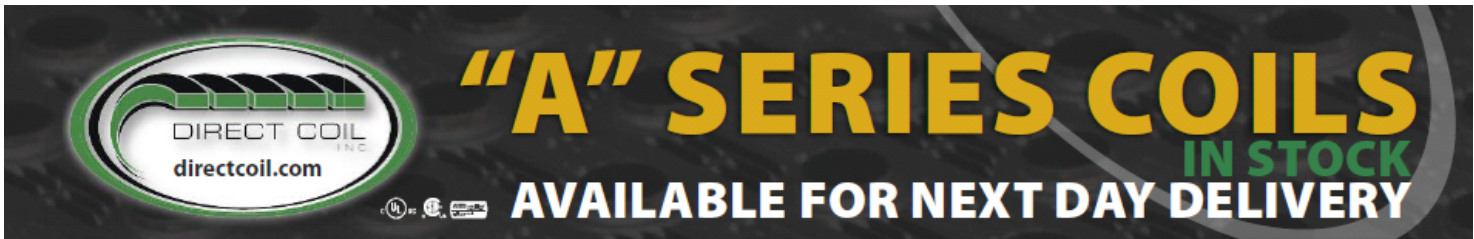


### Dimensional Data

H2O COIL MODEL #	Performance@ 60 EAT 180 EWT, 8 GPM	A	B	C	D	E	F	G	H
AXQ056-C7	67,250 BTU @ 800 CFM .16 APD; 3.18' WPD	14-1/4"	12-1/4"	10"	22"	18"	1"	3"	7/8" OD
AXQ076-C7	83,270 BTU @ 1200 CFM .21 APD; 2.88' WPD	17-1/2"	15-1/2"	10"	22"	18"	1"	3"	7/8" OD
AXQ093-C7	100,430 BTU @ 1600 CFM .26 APD; 2.33 WPD	21"	19"	10"	22"	18"	1"	3"	7/8" OD
AXQ112-C7	115,200 BTU @ 2000 CFM .26 APD; 3.48' WPD	24-1/2"	22-1/2"	10"	22"	18"	1"	3"	7/8" OD

Our new **AXQ Series Cased Hot Water Coils** have been designed with **lower air pressure and water pressure drops to meet realistic residential and commercial application.**

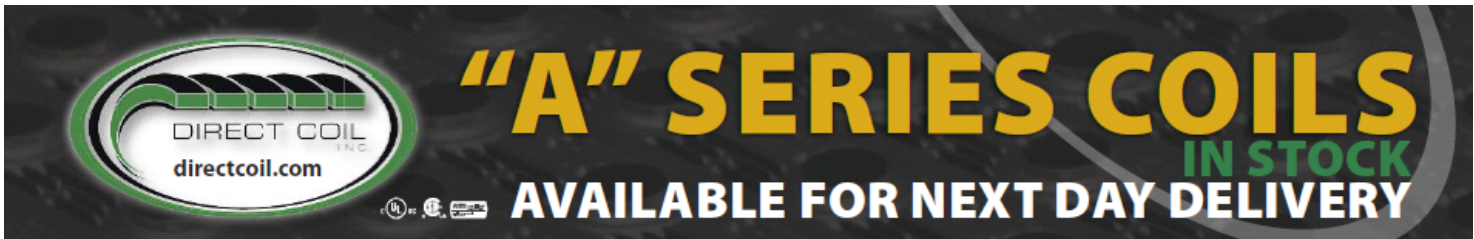
See expanded performance rating on the next pages. **BTU Ranges from 16,000 to 121,000 BTU!**



**AXQ "C" Series Cased Hot Water Coils**

part #	CFM	APD	BTU @ 120° EWT	BTU @ 140° EWT	BTU @ 160° EWT	BTU @ 180° EWT
<b>AXQ056-C7</b>	300	.03	16,040	21,450	26,890	32,330
	400	.05	20,140	26,970	33,830	40,700
	500	.07	23,830	31,940	40,080	48,260
	600	.10	27,160	36,440	45,770	55,140
	700	.13	30,210	40,560	50,980	61,440
	<b>800</b>	<b>.16</b>	<b>33,000</b>	<b>44,350</b>	<b>55,770</b>	<b>67,250</b>
	900	.20	35,580	47,840	60,200	72,630
	1000	.23	37,970	51,080	64,310	77,620
	1100	.28	40,190	54,100	68,140	82,270
EAT 60 degrees	8 GPM	WPD	3.42	3.33	3.25	3.18

part #	CFM	APD	BTU @ 120° EWT	BTU @ 140° EWT	BTU @ 160° EWT	BTU @ 180° EWT
<b>AXQ076-C7</b>	600	.06	25,850	34,660	43,500	52,380
	700	.08	28,740	38,560	48,430	58,340
	800	.10	31,410	42,160	52,980	63,850
	900	.13	33,870	45,500	57,200	68,960
	1000	.15	36,160	48,600	61,130	73,730
	1100	.18	38,300	51,500	64,810	78,190
	<b>1200</b>	<b>.21</b>	<b>40,310</b>	<b>54,220</b>	<b>68,260</b>	<b>82,370</b>
	1300	.24	42,190	56,780	71,500	86,310
	1400	.27	43,960	59,190	74,560	90,030
	1500	.30	45,630	61,460	77,450	93,540
EAT 60 degrees	8 GPM	WPD	3.08	3.01	2.94	2.88



## AXQ "C" Series Cased Hot Water Coils

part #	CFM	APD	BTU @ 120° EWT	BTU @ 140° EWT	BTU @ 160° EWT	BTU @ 180° EWT
<b>AXQ093-C7</b>	1000	.12	37,330	50,190	63,150	76,180
	1100	.14	39,570	53,230	67,000	80,850
	1200	.16	41,660	56,070	70,610	85,230
	1300	.18	43,630	58,740	74,000	89,360
	1400	.20	45,480	61,260	77,210	93,260
	1500	.23	47,220	63,640	80,230	96,940
	<b>1600</b>	<b>.26</b>	<b>48,870</b>	<b>65,900</b>	<b>83,100</b>	<b>100,430</b>
	1700	.28	50,440	68,030	85,820	103,740
	1800	.31	51,920	70,060	88,410	106,890
EAT 60 degrees	8 GPM	WPD	2.48	2.43	2.38	2.33

part #	CFM	APD	BTU @ 120° EWT	BTU @ 140° EWT	BTU @ 160° EWT	BTU @ 180° EWT
<b>AXQ-112-C7</b>	1400	.14	46,380	62,290	78,290	94,370
	1500	.16	48,260	64,830	81,510	98,270
	1600	.18	50,050	67,250	84,580	101,980
	1700	.20	51,750	69,550	87,490	105,520
	1800	.22	53,370	71,750	90,280	108,890
	1900	.24	54,910	73,850	92,940	112,120
	<b>2000</b>	<b>.26</b>	<b>56,390</b>	<b>75,860</b>	<b>95,480</b>	<b>115,200</b>
	2100	.28	57,810	77,780	97,920	118,160
	2200	.30	59,160	79,620	100,250	121,000
EAT 60 degrees	8 GPM	WPD	3.76	3.66	3.56	3.48

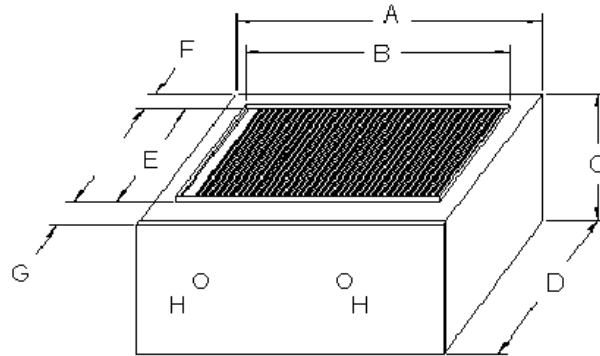


# "A" SERIES COILS

**IN STOCK**  
**AVAILABLE FOR NEXT DAY DELIVERY**

## AXQ G & T Series Cased Hot Water Coils

- ◆ SIMPLE INSTALLATION
- ◆ GALVANIZED EMBOSSED CASE
- ◆ SWEAT CONNECTIONS
- ◆ HORIZONTAL OR VERTICAL MOUNTING
- ◆ 1 YEAR WARRANTY



### Dimensional Data

H2O COIL	Performance@ 60 EAT	A	B	C	D	E	F	G	H
AXQ058-G7	64,960 BTU @ 800 CFM .14 APD; 2.71' WPD	15 1/2"	13 1/2"	10"	22"	18"	1"	3"	7/8 OD
AXQ061-T7	69,210 BTU @ 800 CFM .13 APD; 2.78' WPD	17 1/2"	15 1/2"	10"	21"	17"	1"	3"	7/8 OD
AXQ078-G7	84,550 BTU @ 1200 CFM .17 ADP; 2.59' WPD	19 1/2"	17 1/2"	10"	22"	18"	1"	3"	7/8 OD
AXQ083-T7	94,420 BTU @ 1200 CFM .18 APD; 2.67' WPD	21-1/2"	19-1/2"	10"	21"	17"	1"	3"	7/8 OD
AXQ096-T7	109,740 BTU @ 1600 CFM .23 APD; .2.79' WPD	23 1/2"	21 1/2"	10"	21"	17"	1"	3"	7/8 OD
AXQ102-G7	110,140 BTU @ 2000 CFM .32 APD; 3.22 WPD	22"	20"	10"	22"	18"	1"	3"	7/8 OD
AXQ115-T7	121,800 BTU @ 2000 CFM .28 APD; 3.50' WPD	26"	24"	10"	21"	17"	1"	3"	7/8 OD





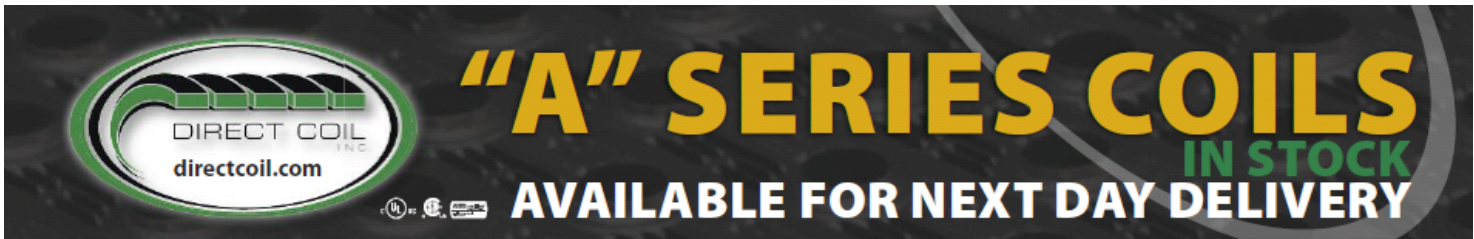
# "A" SERIES COILS

**IN STOCK**  
**AVAILABLE FOR NEXT DAY DELIVERY**

## AXQ G & T Series Cased Hot Water Coils

PART #	CFM	APD	BTU @ 120° EWT	BTU @ 140° EWT	BTU @ 160° EWT	BTU @ 180° EWT
<b>AXQ061-T7</b>	400	.04	20,570	27,550	34,540	41,560
	500	.06	24,400	32,700	41,040	49,400
	600	.08	27,870	37,390	46,960	56,560
	700	.10	31,050	41,680	52,390	63,140
	<b>800</b>	.13	33,970	45,640	57,400	<b>69,210</b>
	900	.15	36,670	49,300	62,040	74,830
	1000	.19	39,170	52,700	66,350	80,070
	1100	.22	41,500	55,870	70,370	84,960
	1200	.25	43,680	58,830	74,130	89,540
EAT 60 F	8 GPM	w. g. ' 4	3.04	2.96	2.89	2.83

PART #	CFM	APD	BTU @ 120° EWT	BTU @ 140° EWT	BTU @ 160° EWT	BTU @ 180° EWT
<b>AXQ083-T7</b>	700	.07	32,440	43,530	54,680	65,870
	800	.09	35,600	47,790	60,070	72,390
	900	.11	38,520	51,750	65,080	78,470
	1000	.13	41,240	55,440	69,750	84,130
	1100	.15	43,770	58,880	74,120	89,440
	<b>1200</b>	.18	46,150	62,110	76,220	<b>94,420</b>
	1300	.20	48,380	65,140	82,070	99,110
	1400	.23	50,470	68,000	85,700	103,520
	1500	.26	52,450	70,690	89,130	107,700
EAT 60 F	8 GPM	w. g. ' 4	2.86	2.79	2.73	2.67



**AXQ G & T Series Cased Hot Water Coils**

PART #	CFM	APD	BTU @ 120° EWT	BTU @ 140° EWT	BTU @ 160° EWT	BTU @ 180° EWT
<b>AXQ096-T7</b>	1000	.11	40,510	54,420	68,420	82,480
	1100	.12	43,030	57,830	72,740	87,720
	1200	.14	45,390	61,030	76,790	92,640
	1300	.16	47,600	64,040	80,610	97,280
	1400	.19	49,700	66,880	84,220	101,660
	1500	.21	51,670	69,570	87,630	105,810
	1600	.23	53,540	72,110	90,870	109,740
	1700	.26	55,310	74,530	93,940	113,470
	1800	.29	56,990	76,820	96,860	117,030
EAT 60 F	8 GPM	w. g. ' "	2.99	2.92	2.85	2.79

PART #	CFM	APD	BTU @ 120° EWT	BTU @ 140° EWT	BTU @ 160° EWT	BTU @ 180° EWT
<b>AXQ115-T7</b>	1400	.15	48,960	65,780	82,720	99,730
	1500	.17	50,950	68,480	86,130	103,870
	1600	.19	52,840	71,040	89,380	107,810
	1700	.21	54,630	73,480	92,470	111,550
	1800	.23	56,340	75,800	95,410	115,130
	1900	.26	57,970	78,010	98,220	118,540
	<b>2000</b>	.28	59,530	80,130	100,900	121,800
EAT 60 F	8 GPM	w. g. ' "	3.79	3.68	3.58	3.50



# "A" SERIES COILS

**IN STOCK**  
**AVAILABLE FOR NEXT DAY DELIVERY**

## AXQ G & T Series Cased Hot Water Coils

PART #	CFM	APD	120° EWT	140° EWT	160° EWT	180° EWT
<b>AXQ058-G7</b>	400	.04	19,560	26,190	32,850	39,530
	500	.06	23,090	30,950	38,850	46,770
	600	.08	26,280	35,260	44,290	53,360
	700	.11	29,200	39,200	49,280	59,400
	<b>800</b>	.14	31,870	42,830	53,860	<b>64,960</b>
	900	.17	34,340	46,170	58,100	70,100
	1000	.20	36,620	49,280	62,040	74,890
	1100	.23	38,750	52,170	65,720	79,350
	1200	.27	40,730	54,870	69,150	83,520
EAT 60 degrees	8 GPM	w. g. ‘	2.89	2.82	2.76	2.71

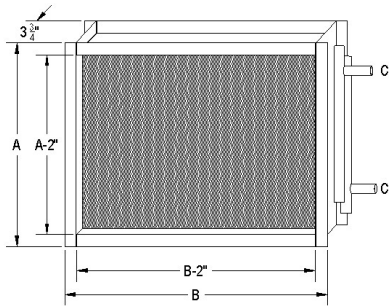
PART #	CFM	APD	120° EWT	140° EWT	160° EWT	180° EWT
<b>AXQ078-G7</b>	700	.07	29,390	39,420	49,520	59,650
	800	.09	32,140	43,150	54,220	65,340
	900	.11	34,700	46,600	58,590	<b>70,640</b>
	1000	.13	37,070	49,820	62,670	75,580
	1100	.15	39,290	52,830	66,480	80,210
	<b>1200</b>	.17	41,370	55,650	70,060	84,550
	1300	.20	43,320	58,310	73,430	88,640
	1400	.22	45,160	60,810	76,600	92,500
	1500	.25	46,890	63,170	79,610	96,150
	1600					
EAT 60 degrees	8 GPM	w. g. ‘	2.76	2.70	2.64	2.59

PART #	CFM	APD	120° EWT	140° EWT	160° EWT	180° EWT
<b>AXQ102-G7</b>	1200	.14	40,640	54,570	68,600	82,690
	1300	.16	42,600	57,230	71,970	86,770
	1400	.18	44,460	59,750	75,150	90,630
	1500	.20	46,220	62,130	78,170	94,290
	<b>1600</b>	.22	47,880	64,400	81,040	<b>97,770</b>
	1700	.25	49,470	66,550	83,770	101,080
	1800	.27	50,980	68,600	86,370	104,240
	1900	.30	52,420	70,560	88,850	107,260
	<b>2000</b>	.32	53,790	72,420	91,230	<b>110,140</b>
EAT 60 degrees	8 GPM	w. g. ‘	3.47	3.38	3.29	3.22



# "A" SERIES COILS

**IN STOCK**  
**AVAILABLE FOR NEXT DAY DELIVERY**



## ATS Series 1 & 2 Row Steam Duct Coils

- Galvanized Steel 18GA frame
- Aluminum Fins, .0060 thickness
- Copper Tubing, 1/2" w/ .025 wall
- BTU outputs from 70,000 to 347,000
- Horizontal/Vertical Installation
- Full one year warranty

Part #	*lbs	CFM	BTUH	APD	A	B	C
ATS1-1224	5	2000	70,000	0.26	14.5	26	1 1/8
	10		75,200				
	15		79,200				
ATS1-1230	5	2400	85,900	0.24	14.5	32	1 1/8
	10		92,300				
	15		97,800				
ATS1-1236	5	3000	105,000	0.26	14.5	38	1 1/8
	10		112,800				
	15		119,600				
ATS1-1524	5	2300	82,400	0.24	17	26	1 1/8
	10		88,600				
	15		93,900				
ATS1-1530	5	2800	101,800	0.23	17	32	1 1/8
	10		109,400				
	15		116,000				
ATS1-1536	5	3400	122,800	0.23	17	38	1 1/8
	10		132,000				
	15		139,900				
ATS1-1724	5	2700	96,400	0.24	19.5	26	1 1/8
	10		103,600				
	15		109,800				
ATS1-1736	5	4000	143,800	0.24	19.5	38	1 1/8
	10		154,600				
	15		163,800				
ATS1-2530	5	5000	175,000	0.26	27	32	1 1/8
	10		188,100				
	15		199,300				
ATS1-2536	5	6000	210,000	0.26	27	38	1 1/8
	10		225,700				
	15		239,200				

Part #	*lbs	CFM	BTUH	APD	A	B	C
ATS2-1224	5	1250	98,100	0.23	14.5	26	1 1/8
	10		105,500				
	15		111,700				
ATS2-1230	5	1650	126,400	0.25	14.5	32	1 1/8
	10		136,900				
	15		144,000				
ATS2-1236	5	2000	152,600	0.26	14.5	38	1 1/8
	10		164,000				
	15		173,800				
ATS2-1524	5	1600	122,000	0.26	17	26	1 1/8
	10		131,200				
	15		139,000				
ATS2-1530	5	2000	152,600	0.26	17	32	1 1/8
	10		164,000				
	15		173,800				
ATS2-1536	5	2400	183,100	0.26	17	38	1 1/8
	10		196,800				
	15		208,500				
ATS2-1724	5	1800	139,500	0.24	19.5	26	1 1/8
	10		150,000				
	15		158,900				
ATS2-1736	5	2800	213,600	0.26	19.5	38	1 1/8
	10		229,600				
	15		243,300				
ATS2-2530	5	3000	250,800	0.25	27	32	1 1/8
	10		269,600				
	15		285,600				
ATS2-2536	5	4000	305,200	0.26	27	38	1 1/8
	10		328,100				
	15		347,600				

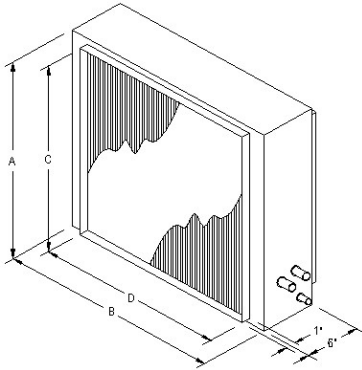
Performance data based on 65° EAT



# "A" SERIES COILS

**IN STOCK**  
**AVAILABLE FOR NEXT DAY DELIVERY**

## ACWH Series—Horizontal Chilled / Hot Water Coils



- Simple Installation
- Excellent Performance
- Insulated Steel Casing
- Sloped Drain Pan
- Sweat Connections
- Dual 3/8" Air Vents

MODEL	A	B	C	D	I/O	Drain
ACWH-09	19	23 1/2	16 1/8	19 1/8	7/8	1/2
ACWH-10	21	24 1/2	18 1/8	20 3/8	7/8	1/2
ACWH-12	24	29 1/2	21 1/8	25 1/8	7/8	1/2
ACWH-15	28	34 1/2	25 1/8	30 5/8	7/8	1/2

### Chilled Water Ratings

Performance data based on  
EAT 80° DB, 67° WB

CFM	400		500		600		700		800		900		1000	
SP "WG	.06		.10		.13		.17		.21		.25		.29	
EWT °F	ACWH-09 Total Cooling Capacity (Sensible) - BTU - Based on 5 U.S. gpm - Pressure drop - 2.02 Ft w.g.													
42	22,220	(13,190)	22,890	(15,410)	25,050	(17,410)	26,840	(19,250)	28,350	(20,970)	29,660	(22,660)	30,810	(24,100)
45	18,250	(12,330)	20,680	(14,460)	22,650	(16,410)	24,300	(18,200)	25,710	(19,870)	26,940	(21,450)	28,030	(22,930)
48	16,130	(11,430)	18,290	(13,480)	20,070	(15,350)	21,570	(17,080)	22,870	(18,870)	24,020	(20,220)	25,040	(21,650)

CFM	600		700		800		900		1000		1100		1200	
SP "WG	.10		.13		.17		.20		.23		.27		.30	
EWT °F	ACWH-10 Total Cooling Capacity (Sensible) - BTU - Based on 6 U.S. gpm - Pressure drop - 2.47 Ft w.g.													
42	27,670	(18,570)	29,900	(20,600)	31,800	(22,490)	33,450	(24,260)	34,390	(25,940)	36,170	(27,530)	37,330	(29,050)
45	24,880	(17,380)	26,900	(19,340)	28,630	(21,170)	30,130	(22,990)	31,470	(24,520)	32,660	(26,070)	33,750	(27,540)
48	22,000	(16,190)	23,820	(18,070)	25,390	(19,840)	26,770	(21,510)	28,010	(23,080)	29,120	(24,580)	30,140	(26,000)

CFM	700		850		1000		1150		1300		1450		1600	
SP "WG	.06		.10		.13		.17		.20		.24		.27	
EWT °F	ACWH-12 Total Cooling Capacity (Sensible) - BTU - Based on 7 U.S. gpm - Pressure drop - 2.77 Ft w.g.													
42	34,190	(22,550)	37,890	(25,750)	40,940	(28,670)	43,500	(31,380)	45,700	(33,920)	47,630	(36,320)	49,330	(38,590)
45	30,800	(21,080)	34,160	(24,160)	36,940	(27,000)	39,310	(29,640)	41,350	(32,120)	43,160	(34,460)	44,770	(36,670)
48	27,230	(19,580)	30,240	(22,550)	32,770	(25,290)	34,950	(27,850)	36,840	(30,250)	38,530	(32,510)	40,060	(34,630)

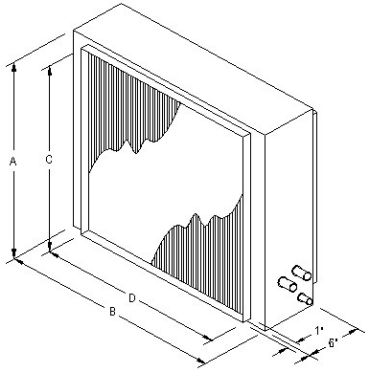
CFM	1500		1600		1700		1800		1900		2000		2100	
SP "WG	.15		.16		.18		.20		.21		.23		.25	
EWT °F	ACWH-15 Total Cooling Capacity (Sensible) - BTU - Based on 8 U.S. gpm - Pressure drop - 5.0 Ft w.g.													
42	59,020	(41,920)	60,630	(43,680)	62,130	(45,380)	63,530	(47,030)	64,840	(48,630)	66,070	(50,190)	67,230	(51,710)
45	53,160	(39,480)	54,650	(41,190)	56,040	(42,850)	57,340	(44,460)	58,570	(46,020)	59,730	(47,530)	60,830	(49,010)
48	47,230	(37,040)	48,610	(38,700)	49,900	(40,300)	51,120	(41,860)	52,270	(43,370)	53,370	(44,840)	54,400	(46,260)



# "A" SERIES COILS

**IN STOCK**  
**AVAILABLE FOR NEXT DAY DELIVERY**

## ACWH Series—Horizontal Chilled / Hot Water Coils



- Simple Installation
- Excellent Performance
- Insulated Steel Casing
- Sloped Drain Pan
- Sweat Connections
- Dual 3/8" Air Vents

MODEL	A	B	C	D	I/O	Drain
ACWH-09	19	23 1/2	16 1/8	19 1/8	7/8	1/2
ACWH-10	21	24 1/2	18 1/8	20 3/8	7/8	1/2
ACWH-12	24	29 1/2	21 1/8	25 1/8	7/8	1/2
ACWH-15	28	34 1/2	25 1/8	30 5/8	7/8	1/2

### Hot Water Ratings

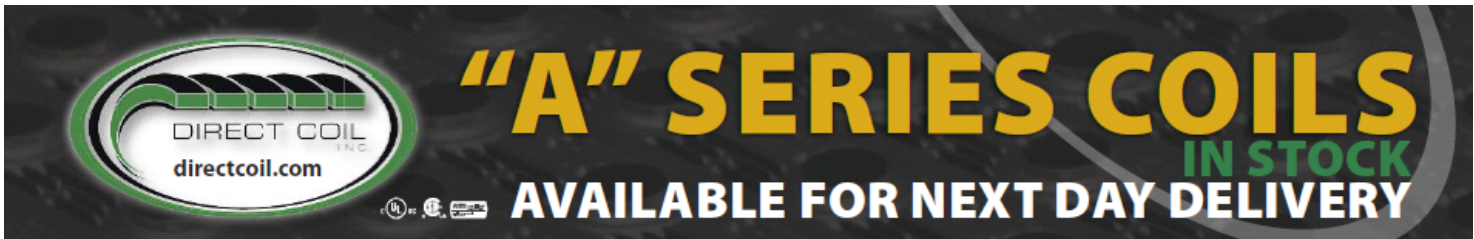
Performance data based on  
EAT 65° DB

CFM	400	500	600	700	800	900	1000
SP "WG	.05	.08	.11	.14	.18	.21	.26
EWT °F	<b>ACWH-09 Total Heating Capacity - BTU - Based on 5 U.S. gpm - Pressure drop - 1.6 Ft w.g.</b>						
120	21,850	26,280	30,320	33,990	37,350	40,410	43,220
140	29,890	35,990	41,560	46,650	51,290	55,550	59,450
160	37,960	45,740	52,860	59,370	65,330	70,800	75,820
180	46,040	55,520	64,200	72,150	79,440	86,120	92,270

CFM	600	700	800	900	1000	1100	1200
SP "WG	.08	.11	.13	.16	.19	.23	.27
EWT °F	<b>ACWH-10 Total Heating Capacity - BTU - Based on 6 U.S. gpm - Pressure drop - 2.0 Ft w.g.</b>						
120	31,530	35,600	39,370	42,860	46,090	49,090	51,890
140	43,180	48,790	53,990	58,820	63,310	67,480	71,360
160	54,870	62,040	68,700	74,890	80,640	85,990	90,990
180	66,590	75,330	83,460	91,010	98,050	104,600	110,710

CFM	700	850	1000	1150	1300	1450	1600
SP "WG	.06	.08	.11	.13	.17	.20	.23
EWT °F	<b>ACWH-12 Total Heating Capacity - BTU - Based on 7 U.S. gpm - Pressure drop - 2.3 Ft w.g.</b>						
120	37,650	44,030	49,850	55,160	60,010	64,450	68,520
140	51,520	60,300	68,330	75,670	82,380	88,540	94,190
160	65,420	76,630	86,890	96,290	104,900	112,800	120,060
180	79,350	93,000	105,510	116,980	127,500	137,150	146,040

CFM	1500	1600	1700	1800	1900	2000	2100
SP "WG	.12	.13	.15	.16	.18	.19	.21
EWT °F	<b>ACWH-15 Total Heating Capacity - BTU - Based on 8 U.S. gpm - Pressure drop - 3.9 Ft w.g.</b>						
120	72,500	75,830	79,010	82,050	84,950	87,720	90,370
140	99,300	103,890	108,280	112,470	116,470	120,300	123,960
160	126,200	132,060	137,670	143,030	145,150	153,040	157,720
180	153,150	160,300	167,130	173,660	179,900	185,870	191,580

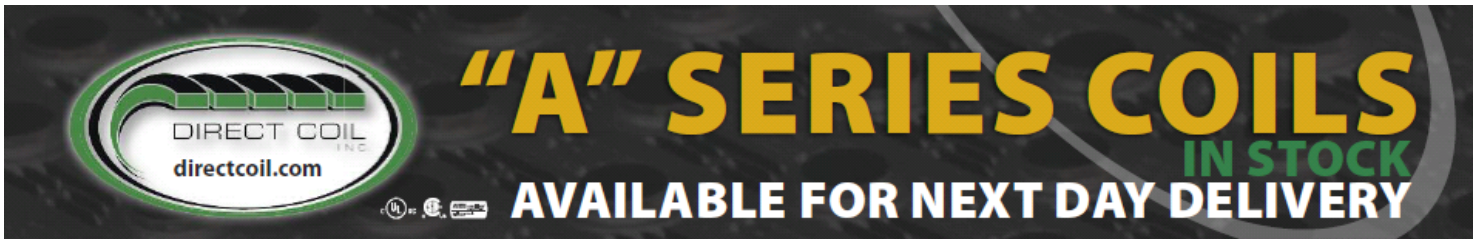


## ACCW Series Multi-Position Chilled-Hot Water Coils

NEW Dual Drain Pan Units are perfect for Geothermal applications, as well as standard chiller and boiler applications. Better by Design....1.5 –10 ton available as of Jan 2015. See next 2 pages for performance details



Part #	Width	Depth	Height	S (01)	S (02)	Conn. OD	Conn. Vents	Drain Lines
ACCW-18E	14	20 3/4	14	11 3/4	15 3/4	7/8	1/8	1/2
ACCW-24	14 3/4	22	13 1/2	13 1/4	20 1/4	7/8	1/8	1/2
ACCW-30E	18	20 3/4	16	15 3/4	17 3/4	7/8	1/8	1/2
ACCW-36	17.5	22	16 1/8	15 3/4	20 1/4	7/8	1/8	1/2
ACCW-42E	22	24 3/4	18	19 3/4	19 3/4	7/8	1/8	1/2
ACCW-48	21	22	18 1/8	19 1/2	20 1/4	7/8	1/8	1/2
ACCW-60	24 1/2	22	21 1/8	21	20 1/4	1 1/8	1/4	1/2
ACCW-60E	26	28 3/4	22	23 3/4	23 3/4	1 1/8	1/4	1/2
ACCW-84E	44	24 3/4	22	41 3/4	19 3/4	1 1/8	1/4	3/4
ACCW-120E	52	28 3/4	28	48 3/4	23 3/4	1 1/8	1/4	1



### ACCW Series Multi-Position Chilled-Hot Water Coils

### Chilled Water Ratings

Performance data based on EAT 80° DB, 67° WB

CFM	400		500		600	
SP "WG	.08		.12		.15	
EWT °F	ACCW-18E Total (Sensible) Cooling Capacity BTU @ 7 gpm WPD - 2.38' w.g @ 45 EWT					
45	15,530	(10,570)	17,630	(12,340)	19,380	(13,950)
50	12,460	(9,310)	14,090	(10,901)	15,400	(12,330)

CFM	1500		1600		1700	
SP "WG	.26		.28		.30	
EWT °F	ACCW-48 Total (Sensible) Cooling Capacity BTU @ 12 gpm WPD - 2.95' w.g @ 45 EWT					
45	46,860	(35,950)	48,100	(37,440)	49,240	(38,890)
50	37,830	(32,170)	38,890	(33,550)	39,890	(34,890)

CFM	700		800		900	
SP "WG	.17		.21		.25	
EWT °F	ACCW-24 Total (Sensible) Cooling Capacity BTU @ 7 GPM, 2.55' w.g @ 45 EWT					
45	23,570	(17,240)	24,990	(18,770)	26,220	(20,200)
50	18,820	(15,280)	19,990	(16,690)	21,030	(18,000)

CFM	1800		1900		2000	
SP "WG	.27		.29		.31	
EWT °F	ACCW-60 Total (Sensible) Cooling Capacity BTU @ 15.5 gpm WPD 3.18' w.g @ 45 EWT					
45	56,890	(43,340)	58,160	(44,850)	59,360	(46,310)
50	45,800	(38,710)	46,890	(40,110)	47,920	(41,460)

CFM	900		1000		1100	
SP "WG	.23		.26		.30	
EWT °F	ACCW-30E Total (Sensible) Cooling Capacity BTU @ 7 gpm, 2.98' w.g @ 45 EWT					
45	29,240	(22,110)	30,540	(23,640)	31,690	(25,090)
50	23,580	(19,750)	24,700	(21,180)	25,710	(22,520)

CFM	1900		2000		2100	
SP "WG	.26		.28		.29	
EWT °F	ACCW-60E Total (Sensible) Cooling Capacity BTU @ 10 gpm 3.28' w.g @ 45 EWT					
45	58,890	(46,070)	60,070	(47,600)	61,190	(49,090)
50	48,120	(41,540)	49,180	(42,970)	50,190	(44,350)

CFM	1100		1200		1300	
SP "WG	.23		.26		.29	
EWT °F	ACCW-36 Total (Sensible) Cooling Capacity BTU @ 8 gpm, 2.48' w.g @ 45 EWT					
45	34,480	(26,460)	35,700	(27,960)	36,810	(29,390)
50	27,880	(23,700)	28,950	(25,090)	29,930	(26,410)

CFM	2400		2700		3000	
SP "WG	.30		.35		.40	
EWT °F	ACCW-84E7 Total (Sensible) Cooling Capacity BTU @ 15 gpm 4.30' w.g @ 45 EWT					
45	84,560	(62,160)	88,950	(67,060)	92,820	(71,670)
50						

CFM	1300		1400		1500	
SP "WG	.24		.26		.28	
EWT °F	ACCW-42E Total (Sensible) Cooling Capacity BTU @ 10 gpm, 2.71' w.g @ 45 EWT					
45	41,380	(31,540)	42,640	(33,070)	43,810	(34,530)
50	33,410	(28,220)	34,500	(29,630)	35,530	(30,990)

CFM	3200		3600		4000	
SP "WG	.26		.31		.36	
EWT °F	ACCW-120E Total (Sensible) Cooling Capacity BTU @ 15 gpm 4.47' w.g @ 45 EWT					
45	110,510	(82,670)	115,960	(89,150)	120,790	(95,250)
50	90,030	(74,170)	94,990	(80,290)	99,270	(86,010)





# "A" SERIES COILS

**IN STOCK**  
**AVAILABLE FOR NEXT DAY DELIVERY**

## ACCW Series Multi-Position Chilled-Hot Water Coils

## Hot Water Ratings

Performance data based on EAT 65° DB

CFM	400	500	600
SP "WG	.06	.09	.13
EWT °F	<b>ACCW-18E</b> Heating Capacity - BTU @ 7 gpm, 1.85 w.g. @180 EWT		
180	38,190	45,210	51,600
140	24,780	29,300	33,400

CFM	1400	1500	1600
SP "WG	.20	.23	.25
EWT °F	<b>ACCW-48</b> Heating Capacity - BTU @ 12 gpm, 2.26 w.g. @180 EWT		
180	135,090	141,880	148,390
140	87,310	91,650	95,800

CFM	600	700	800
SP "WG	.11	.14	.18
EWT °F	<b>ACCW-24</b> Heating Capacity - BTU @ 7 gpm, 1.85 w.g. @180 EWT		
180	58,470	65,530	72,070
140	37,880	42,410	46,600

CFM	1600	1700	1800
SP "WG	.20	.22	.25
EWT °F	<b>ACCW-60</b> Heating Capacity - BTU @ 15.5 gpm, 2.36 w.g. @180 EWT		
180	156,820	163,900	170,740
140	101,430	105,960	110,340

CFM	800	900	1000
SP "WG	.16	.19	.23
EWT °F	<b>ACCW-30E</b> Heating Capacity - BTU @ 7 gpm, 2.12 w.g. @180 EWT		
180	79,450	86,530	93,160
140	51,420	55,950	60,180

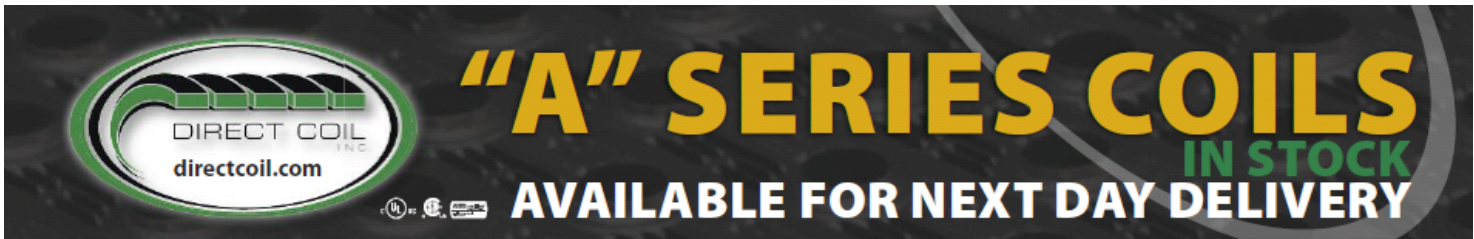
CFM	1900	2000	2100
SP "WG	.22	.24	.26
EWT °F	<b>ACCW-60E</b> Heating Capacity - BTU @ 15.5 gpm, 2.55 w.g. @180 EWT		
180	193,540	200,970	208,180
140	125,200	129,950	134,550

CFM	1000	1100	1200
SP "WG	.17	.20	.23
EWT °F	<b>ACCW-36</b> Heating Capacity - BTU @ 8 gpm, 1.81 w.g. @180 EWT		
180	97,360	104,170	110,590
140	62,950	67,300	71,400

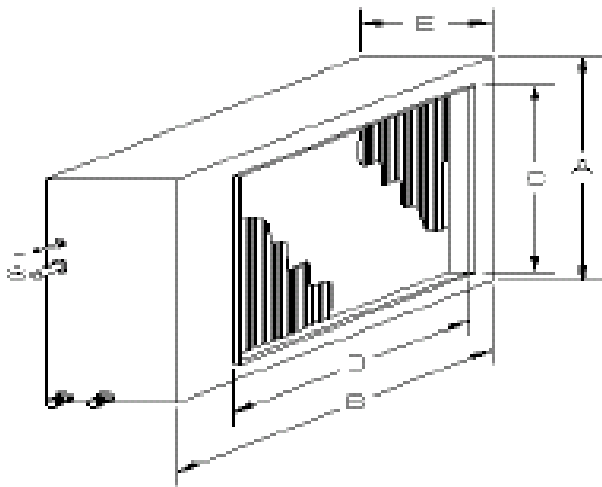
CFM	2400	2700	3000
SP "WG	.26	.32	.38
EWT °F	<b>ACCW-84E</b> Heating Capacity - BTU @ 15.5 gpm, 3.25 w.g. @180 EWT		
180	260,350	294,400	306,730
140	168,820	184,270	198,590

CFM	1200	1300	1400
SP "WG	.18	.20	.23
EWT °F	<b>ACCW-42E</b> Heating Capacity - BTU @ 10 gpm, 2.02 w.g. @180 EWT		
180	117,100	124,000	130,580
140	75,720	80,130	84,330

CFM	3200	3600	4000
SP "WG	.21	.26	.31
EWT °F	<b>ACCW-120E</b> Heating Capacity - BTU @ 15.5 gpm, 3.35 w.g. @180 EWT		
180	337,830	366,960	393,550
140	219,190	237,930	255,020

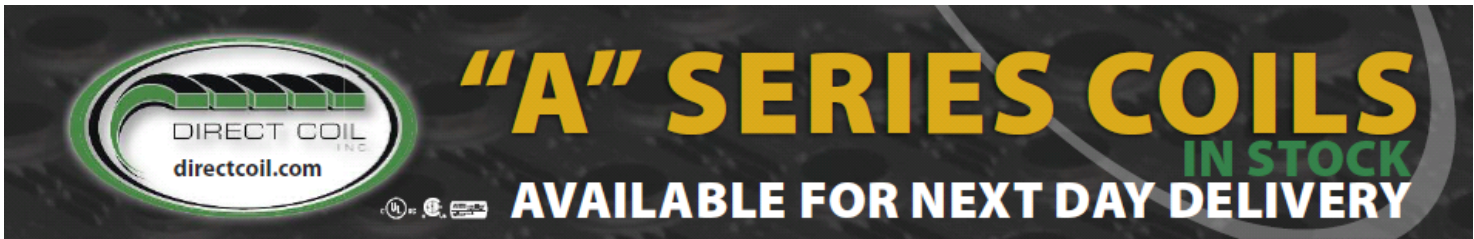


**ADCX-H Series Horizontal DX Coils**



- Embossed Galvanized Steel Casing
- Enhanced Aluminum Fins
- Rifled Copper Tubing
- Pressure Tested to 450 lbs.
- Dual Rated for R22 and R410a
- Sweat Connections
- Standard Metal Drain Pan
- Insulated Cabinet with Foil Facing
- Dual 3/4" MPT Condensate Drains

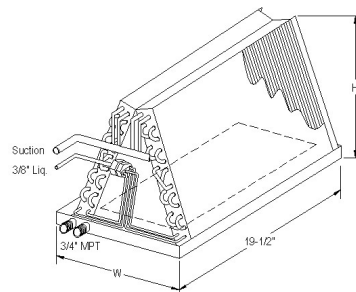
Part Number	Total BTU Capacity	A	B	C	D	E	S	L	Drain
ADCX-24H	25900	24	22	16	21	8	7/8	1/2	3/4
ADCX-36H	39470	24	24	16	21	8	7/8	1/2	3/4
ADCX-48H	51520	24	36	30	21	8	1-1/8	7/8	3/4
ADCX-60H	65970	24	36	30	21	8	1-1/8	7/8	3/4
ADCX-96H	107070	24	50	36	21	12	1-1/8	7/8	3/4
ADCX-120H	128390	24	60	48	21	12	1-3/8	1-1/8	3/4



## ADCX-A Series DX Coils

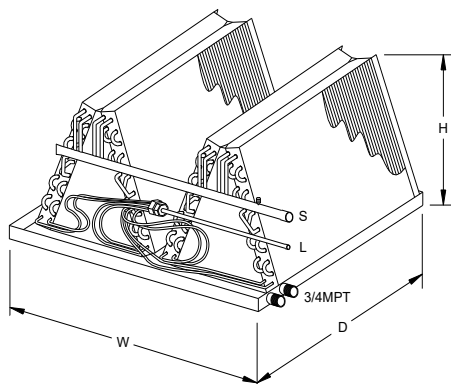
- Dual rated for R-22 and R-410a
- Polymer drain pan
- Heavy rifled copper tubing, Aluminum fins
- Heavy aluminum end plates
- Pressure tested to 450 lbs.
- Pitched drain pan with heat shield

10 SEER Uncased 'A' Coils					
Coil Model	D	W	H	S	L
ADCX-24	19.5	18	16	3/4	1/2
ADCX-30	19.5	18	16	3/4	1/2
ADCX-36	19.5	20	20	3/4	1/2
ADCX-42	19.5	21	20	7/8	1/2
ADCX-48	19.5	21	22	7/8	1/2
ADCX-60	19.5	24	24	7/8	1/2



## ADCX-M Series DX Coils

- 1.5-10 Tons
  - UL Listed Components
  - Enhanced Aluminum Fins
  - Rifled Copper Tubing
  - Standard Piston Flo-rator Metering
- Dual Condensate Drains
  - Right Hand Side Connections (left avail.)
  - Sweat Connections
  - TXV Ready Equalizer Port & Thread
  - Dry Nitrogen Holding Charge



Model	Wide	Deep	High	S (id)	L (id)
ADCX-M24	19	20.5	11.5	3/4	1/2
ADCX-M36	21		13.5	3/4	
ADCX-M48	22		16	7/8	
ADCX-M60	24		18	7/8	
ADCX-M90	-		-	-	
ADCX-120M	-	-	-	-	-

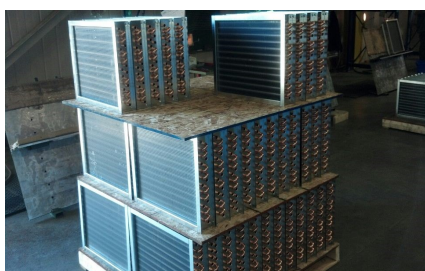


# "A" SERIES COILS

IN STOCK

AVAILABLE FOR NEXT DAY DELIVERY

## Millhaven, Ontario Plant



5055 Taylor Kidd Blvd. Millhaven, Ontario Canada, K0H 1G0  
TEL: (613) 544-2200 FAX: (613) 544-7779