

Inverter Driven Heat Pump

36,000 BTU Single Zone Wall Mounted System

Job Name _____
 Location _____
 Engineer _____
 Submitted To _____
 Submitted By _____
 Reference _____

Date _____
 Approval _____
 Construction _____
 Unit No _____
 Drawing No _____

PRODUCT FEATURES

- Auto Changeover
- Weekly & 24 hr. Timer
- Auto Louver: Up/Down
- Minimum Heat Mode (Wi-Fi Adapter required)
- Wireless Remote Control Included
- Auto Restart
- Economy Mode



MODEL NUMBERS			
Indoor Unit	ASUH36LPAS		
Outdoor Unit	AOUH36LPAS1		
System	36LPAS1		
EFFICIENCIES			
SEER	18		
SEER 2	18		
EER	8.1		
EER 2	8.1		
HSPF	11		
HSPF 2	9.6		
COP	kW/kW	3.22	
COP	Btu/hW	11	
COP2	kW/kW	3.22	
COP2	Btu/hW	11	
OUTDOOR TEMPERATURE OPERATION RANGE			
Cooling	*F(°C)	14 to 115 (-10 to 46)	
Heating		5 to 75 (-15 to 24)	
CAPACITIES			
Cooling	Rated	Btu/h	33000
	Min.-Max.		9,900-34,100
Heating	Rated	Btu/h	34000
	Min.-Max.		8,700-35,000
LINESET REQUIREMENTS			
Connection Method	Flare		
Liquid	in (mm)	Ø3/8 (Ø9.52)	
Gas		Ø5/8 (Ø15.88)	
Pre-charge length	ft (m)	66 (20)	
Minimum Length		16 (5)	
Max. length		164 (50)	
Max. height difference		98 (30)	
INDOOR DIMENSIONS & WEIGHT			
Net (H x W x D)	in (mm)	13-3/8 x 45-1/4 x 11 (340 x 1,150 x 280)	
Gross (H x W x D)		15-15/16 x 50 x 17-11/16 (405 x 1,270 x 450)	
Net Weight	lb (kg)	39 (17.5)	
Gross Weight		51 (23.0)	
OUTDOOR DIMENSIONS & WEIGHT			
Net (H x W x D)	in (mm)	31 x 37 x 12-5/8 (788 x 940 x 320)	
Gross (H x W x D)		38-1/16 x 40-7/16 x 17-1/2 (966 x 1,027 x 445)	
Net Weight	lb (kg)	117 (53)	
Gross Weight		134 (61)	

Warranty Information



7 Year Compressor, 5 Year Parts out-of-the-box Warranty



10 Year Compressor, 10 Year Parts Warranty when registered within 60 days of installation in a residence



12 Year Compressor, 12 Year Parts Warranty when registered within 60 days of installation in a residence, and installed by a Fujitsu Elite contractor

ACCESSORIES

UTY-RNRUZ*	Wired remote controller
UTY-RSRY	Simple remote controller
UTY-RHRY	Simple remote controller
UTY-XWZX	External Connect Kit
UTY-XWZXZ5	External Connect Kit
UTY-XCSXZ2	External Input and Output PCB
UTY-TWRXZ2	Communication Kit
UTY-TFSXF1	Wireless LAN adapter
UTY-VMSX	Modbus Converter
UTY-TTRXZ1	24V Thermostat Converter
UTY-VTGX	Network Converter



This system combination is Energy Star qualified



+App available in Apple® App Store and Google® Play Store.

Due to continuous product improvements, specifications are subject to change without notice. Please log in to the Fujitsu Portal for the most up-to-date documentation <https://connect.fujitsugeneral.com>

Effective Date: 11/4/2022

Inverter Driven Heat Pump

36,000 BTU Single Zone Wall Mounted System

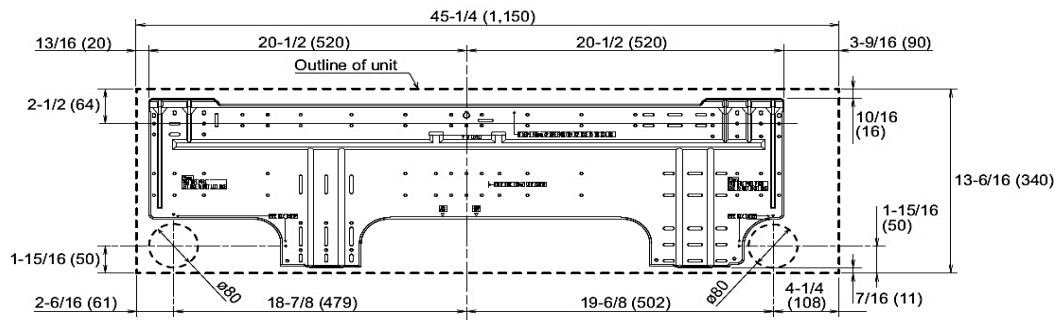
FAN DATA			
Indoor Unit Airflow rate	Cooling	HIGH	812 (1,380)
		MED	665 (1,130)
		LOW	536 (910)
		QUIET	418 (710)
	Heating	HIGH	812 (1,380)
		MED	665 (1,130)
		LOW	536 (910)
		QUIET	418 (710)
Outdoor Unit Airflow rate	Cooling		2,187 (3,715)
	Heating		2,187 (3,715)
SOUND PRESSURE			
Indoor Unit	Cooling	HIGH	50
		MED	45
		LOW	38
		QUIET	32
	Heating	HIGH	49
		MED	44
		LOW	38
		QUIET	32
Outdoor Unit	Cooling		53
	Heating		54
REFRIGERANT			
Type			R410A
Charge	lb oz	4 lb 10 oz	
	g	2100	
Oil Type	POE (RB68)		

ELECTRICAL SPECIFICATIONS			
Voltage/Frequency/Phase		208/230 V ~ 60 Hz	
Available Voltage Range		187–253 V	
Current	Cooling	Rated	17.8
	Heating	Rated	13.5
Maximum Operating Current	Cooling	A	18.9
	Heating		18.9
Starting Current		17.8	
MCA		23.4	
Maximum Circuit Breaker		30	
Input Power	Cooling	Rated	kW
		Min.–Max.	
	Heating	Rated	
		Min.–Max.	0.53–3.32
Power Factor	Cooling	%	99.7
	Heating		99.8
OTHER			
Moisture Removal	pints/h (L/h)	10.1 (4.8)	
Energy Star		Yes	
Drain hose	Material	PP+HDPE	
	Tip diameter	in (mm)	Ø17/32 (Ø13.8) (I.D.), Ø19/32 to 21/32 (Ø15.0 to 16.8)
Operation Range	Cooling	°F (°C)	64 to 90 (18 to 32)
	Heating	%RH	80 or less
		°F (°C)	86 (30) or less

DIMENSIONS:

Units: In. (mm)

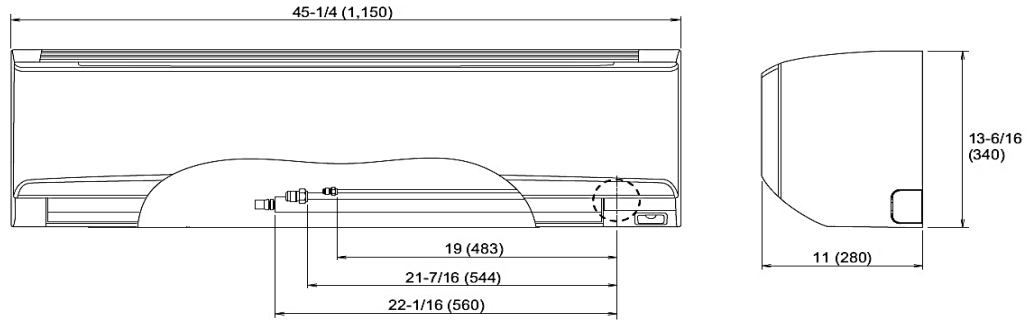
Wall Bracket Data:



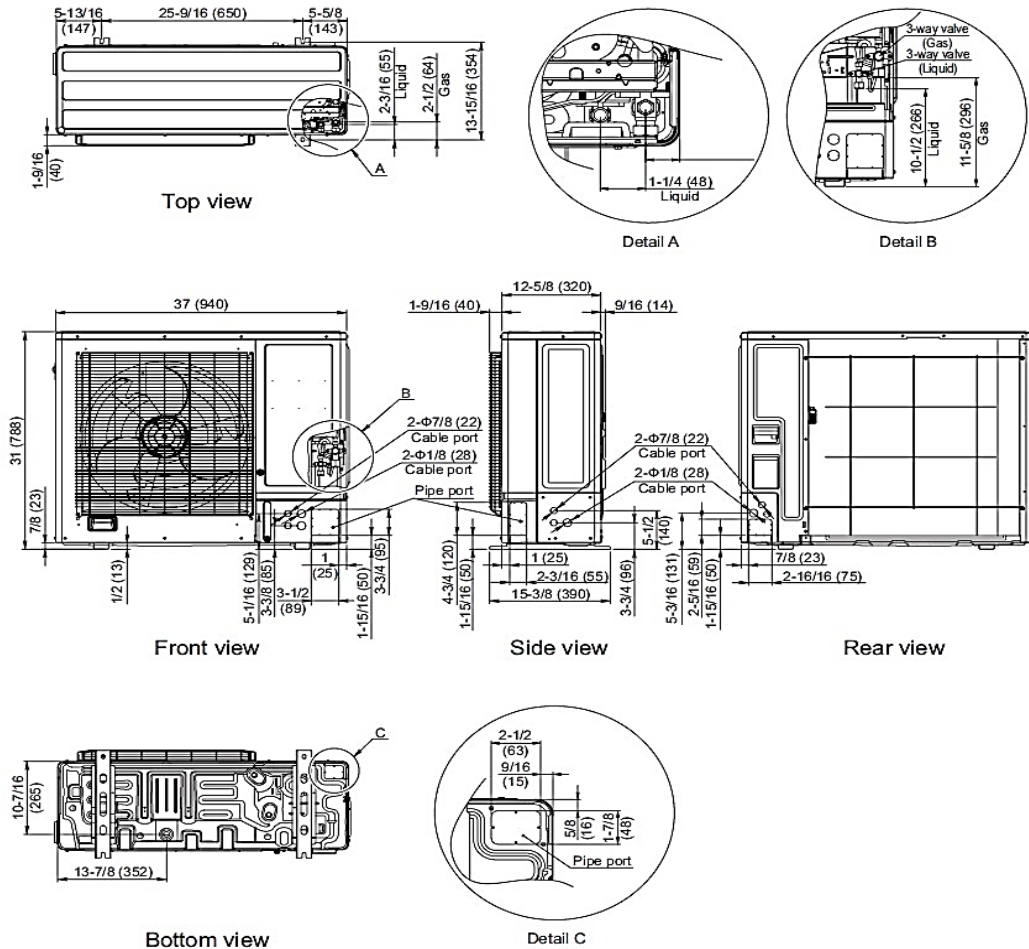
DIMENSIONS

Units: In. (mm)

Indoor Unit



Outdoor Unit



The Fujitsu logo is a worldwide trademark of Fujitsu General Limited. The Airstage logo and name is a worldwide trademark of Fujitsu General Limited and is a registered trademark in Japan, the USA and other countries or areas. Copyright 2022 Fujitsu General America, Inc. Fujitsu's products are subject to continuous improvements. Fujitsu reserves the right to modify product design, specifications and information in this brochure without notice and without incurring any obligations.

Note: Specifications are based on the following conditions:
 Cooling: Indoor temperature of 80°F (26.7°C) DB/67°F (19.4°C) WB, and outdoor temperature of 95°F (35°C) DB/75°F (23.9°C) WB. Heating: Indoor temperature of 70°F (21.1°C) DB/60°F (15.6°C) WB, and outdoor temperature of 47°F (8.3°C) DB/43°F (6.1°C) WB. Pipe length: 25ft. (7.5m), Height difference: 0ft. (0m) (Outdoor unit – indoor unit).