

**Submittal Data: ASU24RLF
Inverter Driven Heat Pump**

24,000 BTU Wall Mount Type

Job Name: _____

Date: _____

Location: _____

Approval: _____

Engineer: _____

Construction: _____

Submitted to: _____

Unit #: _____

Submitted by: _____

Drawing #: _____

Reference: _____

General Features

- Refrigerant Type R410A.
- Wired and wireless remote controllers
- Auto changeover
- Weekly timer
- Removable open panel
- Super quiet operation
- Removable air filter
- Program timer
- 5 years standard parts warranty
- Eligible for 10 year or 12 year parts warranty. See warranty statement for details.



Model Information

Evaporator..... ASU24RLF
 Condenser compatibility... AOU24RLXFW, AOU24RLXFW1, AOU24RLXFWH
 AOU36RLXFZ, AOU36RLXFZ1, AOU36RLXFZH
 AOU45RLXFZ, AOU48RLXFZ, AOU48RLXFZ1

Electrical..... 208/230V AC 1ph-60Hz
 Available Voltage Range..... 208/230 +/- 10%
 Minimum Circuit Ampacity..... 0.71 A
 Full Load Amps..... 0.57 A
 Input Power 69 W
 Running Current..... 0.53 A

Capacity
 Nominal Cooling..... 24,000 Btu/h

Fan Motor
 Type: DC Cross flow x1
 Motor Output..... 42 W
 Fan Motor Protection..... off: 302 ± 27°F (150 ± 15°C)
 on: 248 ± 27°F (120 ± 15°C)

Airflow Rate
 Cooling (High / Medium / Low / Quiet)
 659 CFM (1,120 m3/h) / 530 CFM (900 m3/h) / 436 CFM (740 m3/h) / 365 CFM (620 m3/h)
 Heating (High / Medium / Low / Quiet)
 647 CFM (1,00 m3/h) / 530 CFM (900 m3/h) / 436 CFM (740 m3/h) / 365 CFM (620 m3/h)

Heat Exchanger
 Dimensions
 (H x W x D) in. (mm)..... 15-7/8 x 33-3/4 x 1-1/16 (378x832x26.6)
 Fin Pitch..... Main 21 FPI / Sub 18 FPI
 Rows x Stages..... Main 2 x18 / Sub 1 x4
 Pipe Type (Material)..... Copper
 Type (Material)..... Aluminum

Temperature Setting Range

Cooling..... 64°F - 90°F (18°C - 32 °C)
 Heating..... 60°F - 88°F (16°C - 30°C)

Enclosure

Material..... Galvanized Steel Sheet

Sound Pressure Level

Cooling
 High/Medium/Low/Quiet..... 49 dB (A) / 42 dB (A) / 37 dB (A) / 33 dB (A)
 Heating
 High/Medium/Low/Quiet..... 48 dB (A) / 42 dB (A) / 37 dB (A) / 33 dB (A)

Dimensions

H x W x D
 in. (mm)..... 12-5/8 x 39-1/4 x 9 (320x998x228)

Connection Pipe

Liquid..... 1/4" in. (6.35 mm)
 Gas..... 5/8" in. (9.52 mm)
 Method (Liquid/Gas)..... Flare
 Drain hose

Material..... PP + LLDPE
 Size..... Ø1/2 (I.D.), Ø5/8 [Ø12 (I.D.), Ø16 O.D.]

Weight

Net..... 31 lbs. (14 kg)
 Gross..... 40 lbs. (18 kg)

Accessories

Wired Remote Controller..... UTY-RNNUM
 Backlit Display..... UTY-RVNUM
 Simple Remote Controller..... UTY-RSNUM
 Dry Contact Wire Kit..... UTY-XWZZZ5
 Interface Kit..... UTY-XCBXX2

Intertek®ETL Number

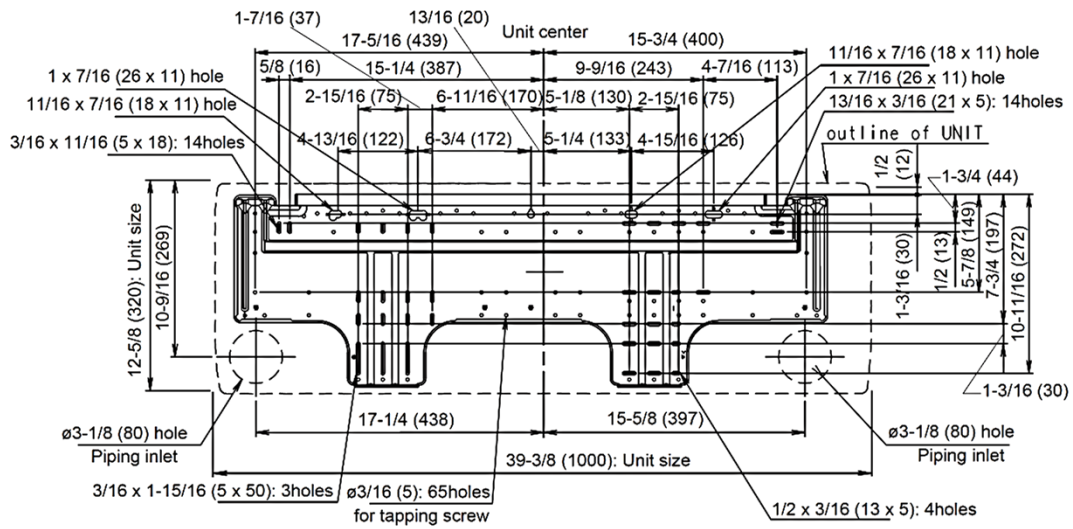
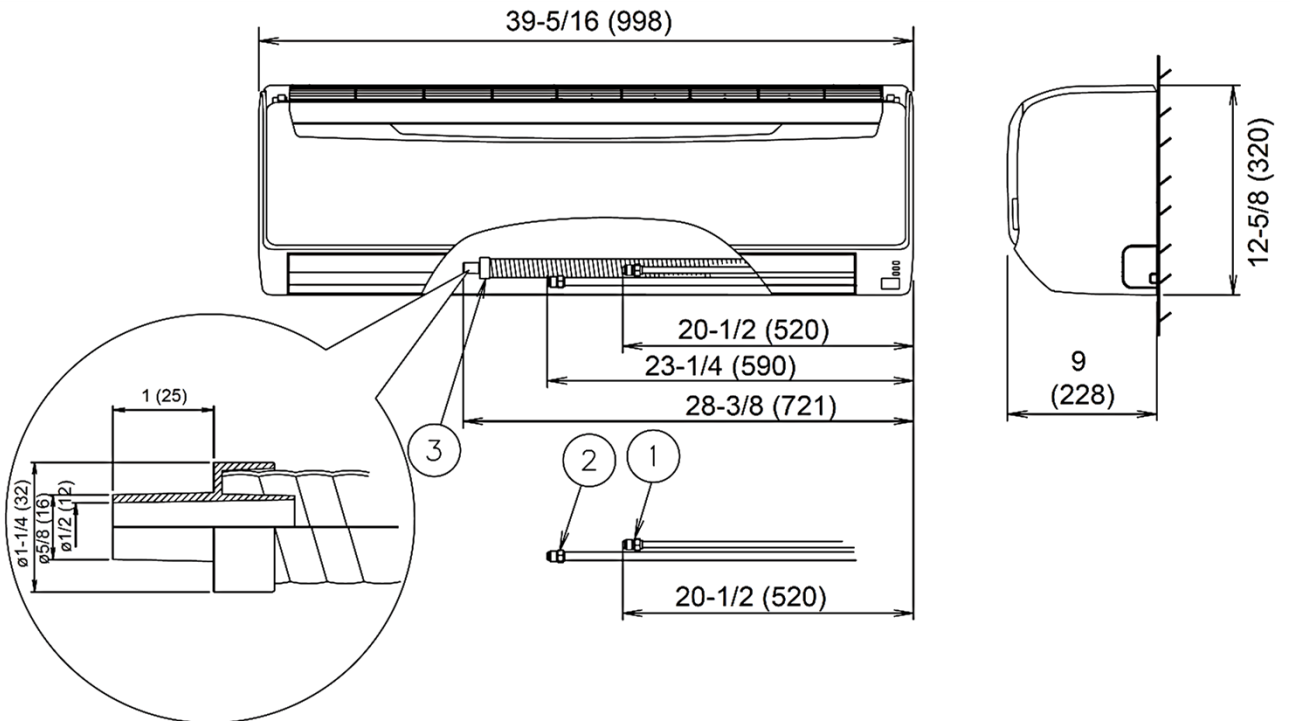
ASU24RLF..... 91986

Note: Specifications are based on the following conditions:
 Cooling: Indoor temperature of 80°F (26.7°C) DB/67°F (19.44°C) WB, and outdoor temperature of 95°F (35°C) DB/75°F (23.9°C) WB.
 Heating: Indoor temperature of 70°F (21.1°C) DB/59°F (15°C) WB, and outdoor temperature of 47°F (8.33°C) DB/43°F (6.11°C) WB.
 Pipe length: 24ft. Tin (7.5m), Height difference: 0ft. (0m) (Outdoor unit - indoor unit)



Dimensions: ASU24RLF

[Unit: in. (mm)]



The Fujitsu logo is a registered trademark of Fujitsu Limited.
 The Halcyon logo and name is a trademark of Fujitsu General America, Inc. Copyright 2016 Fujitsu General America, Inc.
 Fujitsu's products are subject to continuous improvements. Fujitsu reserves the right to modify product design, specifications and information in this brochure without notice and without incurring any obligations.