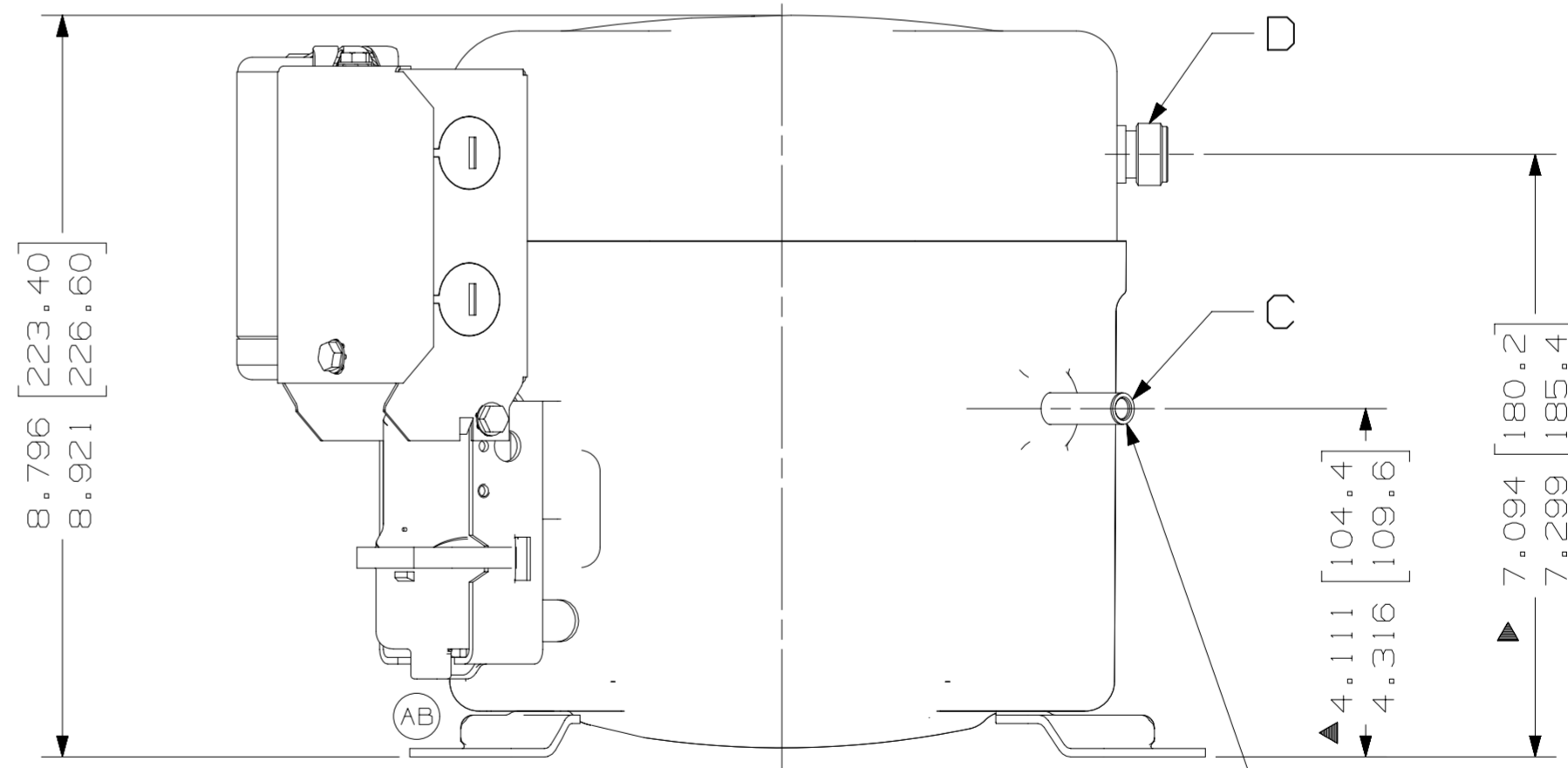


DGAE1904
RELAY BOX ASSEMBLY

SUCTION
3/4"-16 UNF 2A THD.
PLUG-4, 30334 GASKET
70281-29 PLASTIC CAP

ITEM	PART NUMBER
A	AKU1010
B	AKL1017
C	34719
D	122-10047
E	280-10011
F	280-10010



DISCHARGE - COPPER
O.D. 0.375 (9.50) NOMINAL
END I.D. 0.253-0.259 (6.43-6.58)
X DEEP 0.380 (9.70) MIN.
USE PLUG-2.

DIMENSIONING= INCHES OR INCHES - [MILLIMETERS]
MILLIMETERS

NOTES

- 1- IF SPECIFIED ON BILL OF MATERIAL ASSEMBLE THE COMPONENTS AS SHOW.
- 2- SEE COMPONENT DRAWINGS FOR DIMENTIONS NOT SHOW.
- ▲ 3- MUST COMPLY WITH TECUMSEH GLOBAL ESPEC-8.

LT	LC	CHANGE	DATE
AB	B3	ALTERADO PROTETOR DE TERMINAIS ERA: 108-10072	EC102901 17-02-22 G.M. MS.
AA	--	LIBERACAO	EC95421 03-11-20 C.

THIRD ANGLE PROJECTION
UNITS: mm
DRAWING SIZE: A2
0. A. SYMBOLS AS PROCEDURE 2.01.031 TECUMSEH OF BRAZIL
★ = CATEGORY I
▲ = CATEGORY II
■ = CATEGORY III
□ = CATEGORY IV

SALES COMPRESSOR
DCAKB38
DWN. PAULO CA10
DATE 22-04-20
APR. ANDRE
SCALE 1:2
PAGE 1/1
FAMILY AK