

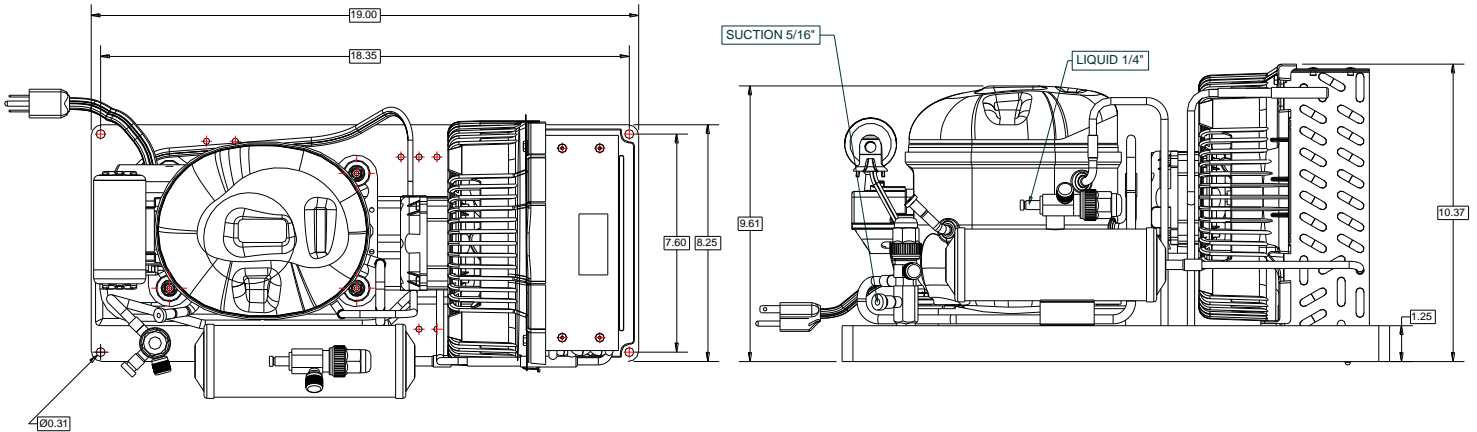
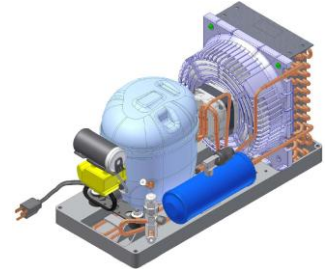


# TECUMSEH HERMETIC CONDENSING UNIT



**Model** AE4440Y-AA1AGL, GK, GB, GC  
**BOM** 33Y360-2(9), -3(9), -4(9), -5(9)

**Air Cooled** 1/3 HP  
**Application** High Temp  
**Refrigerant** R-134a  
**Volts-Hz-Ph** 115/60/1



| Model          | Dimensions, inches (mm) |                  |               | Line connections |           | Pumpdown        | Air flow | Oil Ch. | Gross wt.    |
|----------------|-------------------------|------------------|---------------|------------------|-----------|-----------------|----------|---------|--------------|
|                | L                       | W                | H             | Suction          | Liquid    | 90% @90°F       | CFM      | Oz.     | Lbs (kg)     |
| AE4440Y-AA1AGL | 19<br>(483)             | 8.7<br>(221)     | 10.3<br>(262) | 5/16 Sweat       | 1/4 Sweat | n/a             | 240      | 9.5     | 39.6<br>(18) |
| AE4440Y-AA1AGK |                         | 9.7<br>(246)     |               |                  |           | 2.09            |          |         | 40.2 (18.2)  |
| AE4440Y-AA1AGB |                         | 5/16 Valve Sweat |               |                  |           | 1/4 Valve Sweat |          |         | 2.47         |
| AE4440Y-AA1AGC |                         |                  |               |                  |           |                 |          |         |              |

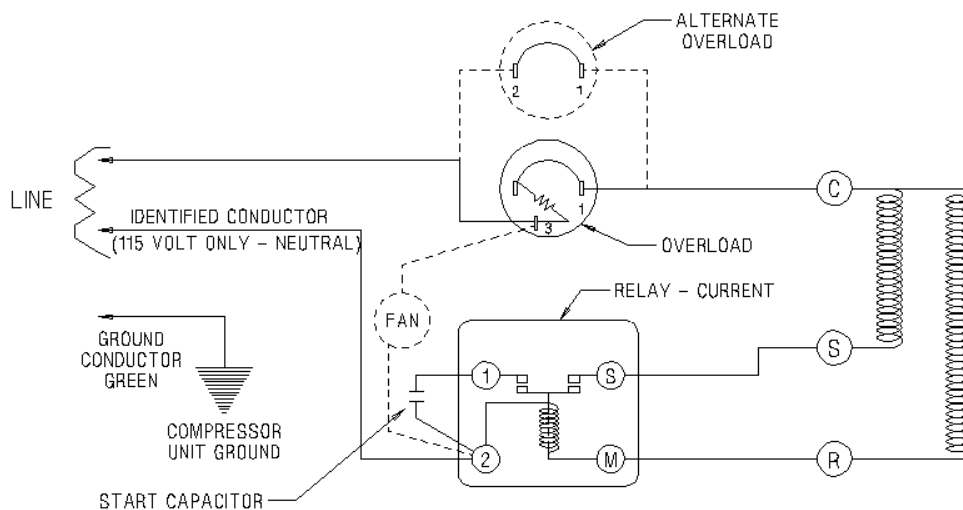
Factory charge 20 psig dry air, **MUST BE EVACUATED**

| Evaporator |             | Ambient Temperatures |            |            |             |            |            |             |            |            |             |            |            |
|------------|-------------|----------------------|------------|------------|-------------|------------|------------|-------------|------------|------------|-------------|------------|------------|
|            |             | 80°F                 |            |            | 90°F        |            |            | 100°F       |            |            | 110°F       |            |            |
| °F         | Psig        | BTUH                 | Watts      | Cond T     | BTUH        | Watts      | Cond T     | BTUH        | Watts      | Cond T     | BTUH        | Watts      | Cond T     |
| 20         | 18.4        | 2560                 | 440        | 108        | 2360        | 460        | 116        | 2160        | 470        | 125        | 1990        | 480        | 134        |
| 25         | 22.1        | 2810                 | 470        | 111        | 2610        | 480        | 120        | 2400        | 500        | 128        | 2210        | 520        | 137        |
| 30         | 26.0        | 3080                 | 500        | 115        | 2860        | 520        | 123        | 2640        | 530        | 132        | 2420        | 560        | 140        |
| 35         | 30.3        | 3350                 | 530        | 118        | 3110        | 550        | 127        | 2870        | 570        | 135        | 2620        | 600        | 143        |
| 40         | 35.0        | 3630                 | 570        | 122        | 3370        | 590        | 130        | 3110        | 620        | 139        | 2830        | 640        | 147        |
| <b>45</b>  | <b>40.0</b> | <b>3920</b>          | <b>610</b> | <b>126</b> | <b>3620</b> | <b>640</b> | <b>134</b> | <b>3340</b> | <b>670</b> | <b>142</b> | <b>3020</b> | <b>690</b> | <b>150</b> |
| 50         | 45.3        | 4220                 | 650        | 130        | 3890        | 690        | 138        | 3570        | 720        | 146        | 3220        | 740        | 154        |

Performance @ 60 Hz, Return gas 65°F, SubCooling 5°F

### Parts/Specifications

|                           |                       |                         |                       |
|---------------------------|-----------------------|-------------------------|-----------------------|
| <b>Unit BOM</b>           | <b>33Y360-2(9)</b>    | Condenser               | 50734-G04             |
| <b>Unit MODEL</b>         | <b>AE4440Y-AA1AGL</b> | Fan Guard               | 116-003P              |
| Refrigeration RANGE       | 20°F to 55°F          | Replacement Fan Motor   | 9W115                 |
| Design Pressure Low       | 150                   |                         |                       |
| Design Pressure High      | 300                   |                         |                       |
| Volts - HZ - Ph           | 115/60/1              | Electrical Diagram      | DEAE-10               |
| Voltage Range             | 103.5 to 126.5        | Unit Drawing            | DGBU-062              |
| Min. Circuit Ampacity     | 7.86                  |                         |                       |
| Max. Fuse Size            | 15                    |                         |                       |
|                           |                       |                         |                       |
| Compressor MODEL          | AE4440Y-AA1A          | <b>Unit BOM</b>         | <b>33Y360-3(9)</b>    |
| Compressor BOM            | AE-1022-E             | <b>Unit MODEL</b>       | <b>AE4440Y-AA1AGK</b> |
| Compressor LRA            | 32                    | Power Cord              | 85106-10              |
| Compressor RLA            | 5.82                  | Unit Drawing            | DGBU-062              |
|                           |                       |                         |                       |
| OverLoad                  | 830-10024             | <b>Unit BOM</b>         | <b>33Y360-4(9)</b>    |
| Replacement Kit - O/L     | K90-56                | <b>Unit MODEL</b>       | <b>AE4440Y-AA1AGB</b> |
| Relay                     | 820-10031             | Receiver                | 51085-1H              |
| Replacement Kit - Relay   | K71-36                | Unit Drawing            | DGBU-062R             |
| Start Capacitor           | 85PS165D64            |                         |                       |
| Replacement Kit - St. Cap | K146-59               | <b>Unit BOM</b>         | <b>33Y360-5(9)</b>    |
|                           |                       | <b>Unit MODEL</b>       | <b>AE4440Y-AA1AGC</b> |
| Fan Motor                 | 810L009B96            | Receiver w/Liquid Valve | 51085-1HV             |
| Fan Motor RLA             | 0.58                  | Suction Valve           | 56580-1               |
| Fan Blade                 | 4VEA010               | Unit Drawing            | DGBU-062V             |



115 OR 230 VOLT - SCHEMATIC WIRING DIAGRAM - CSIR  
 REF. DWG. MD472-1

WARNING - WIRING DIAGRAM MUST BE FOLLOWED AS SHOWN. ANY MISWIRING CAN CAUSE SERIOUS ELECTRICAL HAZARD AND POTENTIAL DAMAGE OR RUPTURE OF COMPONENT ELECTRICAL PARTS.

DEAE-10